



Chipsmall Limited consists of a professional team with an average of over 10 year of expertise in the distribution of electronic components. Based in Hongkong, we have already established firm and mutual-benefit business relationships with customers from,Europe,America and south Asia,supplying obsolete and hard-to-find components to meet their specific needs.

With the principle of “Quality Parts,Customers Priority,Honest Operation,and Considerate Service”,our business mainly focus on the distribution of electronic components. Line cards we deal with include Microchip,ALPS,ROHM,Xilinx,Pulse,ON,Everlight and Freescale. Main products comprise IC,Modules,Potentiometer,IC Socket,Relay,Connector.Our parts cover such applications as commercial,industrial, and automotives areas.

We are looking forward to setting up business relationship with you and hope to provide you with the best service and solution. Let us make a better world for our industry!



## Contact us

Tel: +86-755-8981 8866 Fax: +86-755-8427 6832

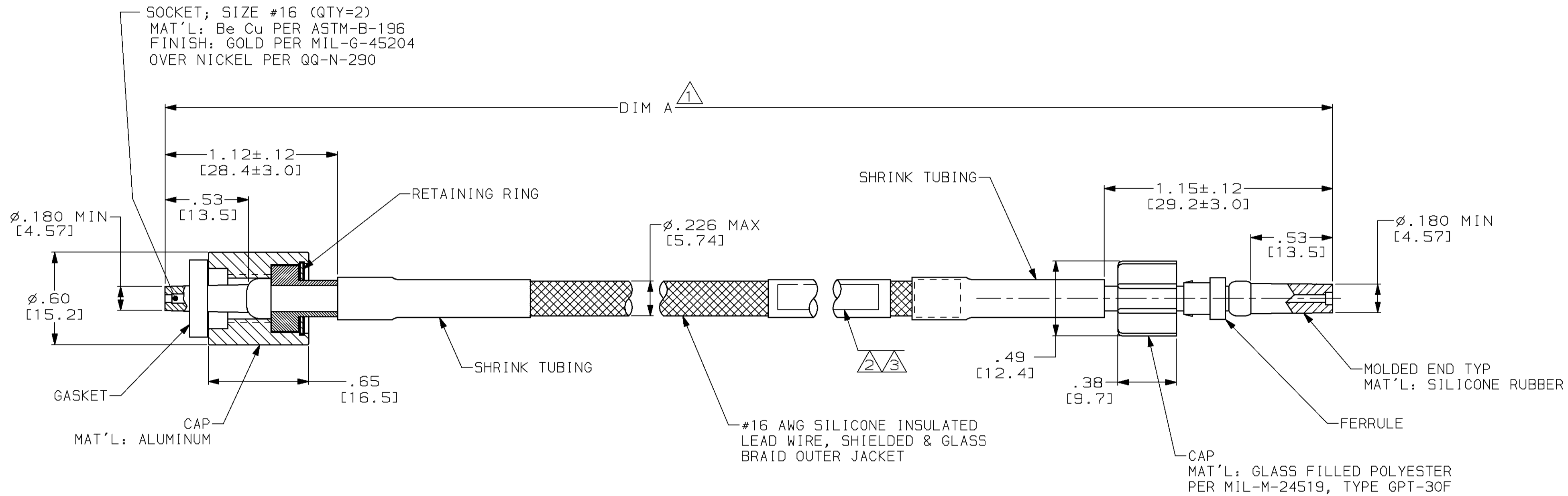
Email & Skype: info@chipsmall.com Web: www.chipsmall.com

Address: A1208, Overseas Decoration Building, #122 Zhenhua RD., Futian, Shenzhen, China



THIS DRAWING IS UNPUBLISHED. RELEASED FOR PUBLICATION  
 BY AMP INCORPORATED. ALL RIGHTS RESERVED.

LOC		DIST		REVISIONS			
P	LTR	DESCRIPTION	DATE	DWN	APVD		
DF	SO	G	REV & REDRAWN; 0600-6242-97	4-97	CT	SG	



- 1 TOLERANCE OF LEAD LENGTH:  
UP TO 24 INCHES [609.6] = ±.12 [±3.0]  
24 INCHES [609.6] & UP = ±1%
- 2 AMP INFORMATION MARKED PER MIL-STD-130.
- 3 CUSTOMER MARKING MARKED PER MIL-STD-130 OPPOSITE AMP INFO ON -1 ONLY.
- 4. TO MATE WITH AMP LGH-1/2 RECEPTACLE WITH .53 [13.5] BARREL DEPTH.

OBSOLETE	-	24.00 [609.6]	863330-2
	3A2P2	18.00 [457.2]	863330-1
CUSTOMER MARKING	DIM A 1		PART NO.

THIS DRAWING IS A CONTROLLED DOCUMENT.

DIMENSIONS: INCHES [mm]	TOLERANCES UNLESS OTHERWISE SPECIFIED: 0 PLC ± 1 PLC ± 2 PLC ±.02 [0.5] 3 PLC ±.005 [0.13] 4 PLC ± ANGLES ± FINISH -	DWN C.C. THOMAS 4-21-97 CHK S. GLATFELTER 5-5-97 APVD S. GLATFELTER 5-5-97	NAME AMP Incorporated Harrisburg, PA 17105-3608
MATERIAL -	FINISH -	PRODUCT SPEC - APPLICATION SPEC - WEIGHT -	LEAD ASSY, DBL END, RFI SHIELDED, LGH-1/2
CUSTOMER DRAWING		SIZE A2 CAGE CODE 00779 DRAWING NO. 863330	RESTRICTED TO -
		SCALE 2:1	SHEET 1 OF 1 REV G