



Chipsmall Limited consists of a professional team with an average of over 10 year of expertise in the distribution of electronic components. Based in Hongkong, we have already established firm and mutual-benefit business relationships with customers from,Europe,America and south Asia,supplying obsolete and hard-to-find components to meet their specific needs.

With the principle of "Quality Parts,Customers Priority,Honest Operation,and Considerate Service",our business mainly focus on the distribution of electronic components. Line cards we deal with include Microchip,ALPS,ROHM,Xilinx,Pulse,ON,Everlight and Freescale. Main products comprise IC,Modules,Potentiometer,IC Socket,Relay,Connector.Our parts cover such applications as commercial,industrial, and automotives areas.

We are looking forward to setting up business relationship with you and hope to provide you with the best service and solution. Let us make a better world for our industry!



Contact us

Tel: +86-755-8981 8866 Fax: +86-755-8427 6832

Email & Skype: info@chipsmall.com Web: www.chipsmall.com

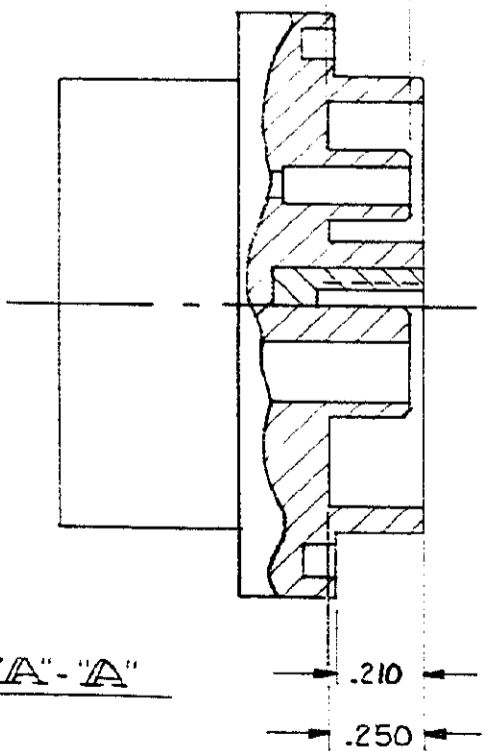
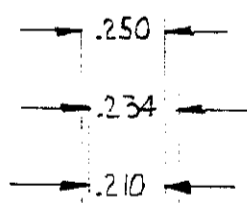
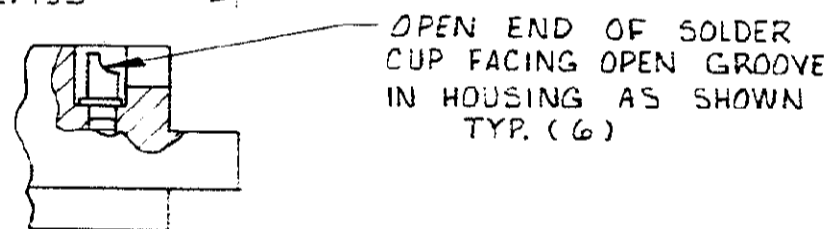
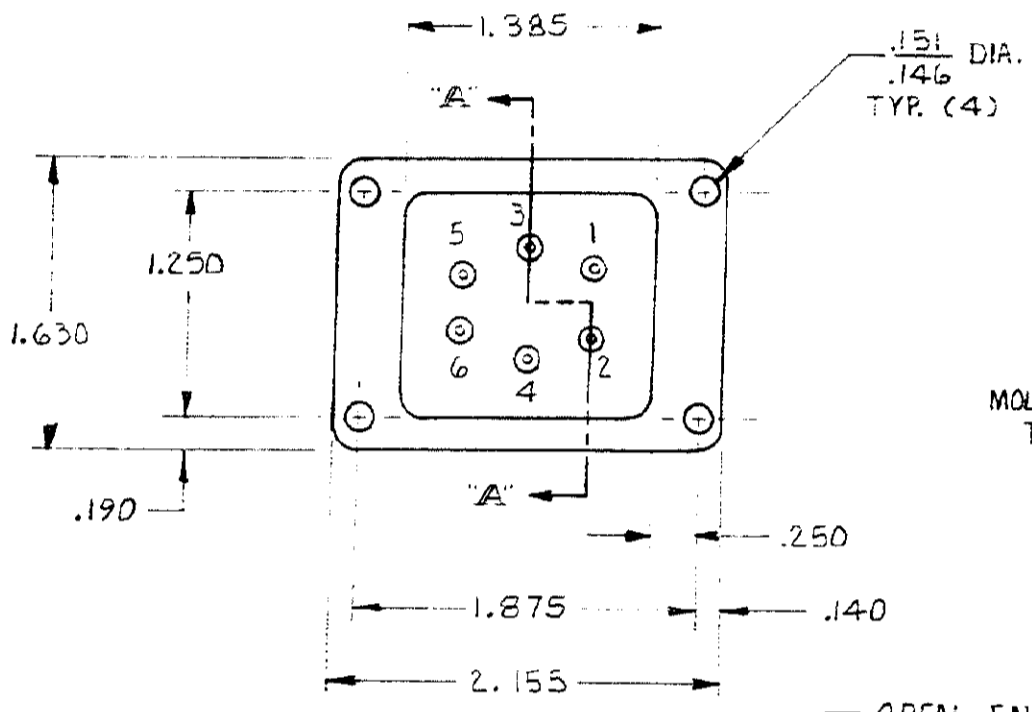
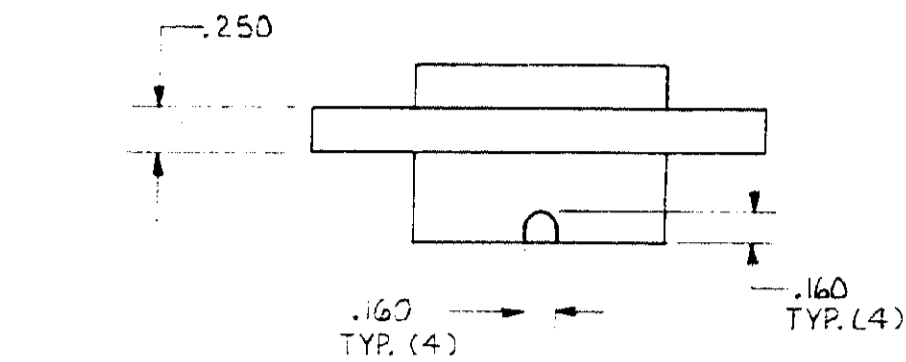
Address: A1208, Overseas Decoration Building, #122 Zhenhua RD., Futian, Shenzhen, China



4
DRAWING MADE IN THIRD ANGLE PROJECTION

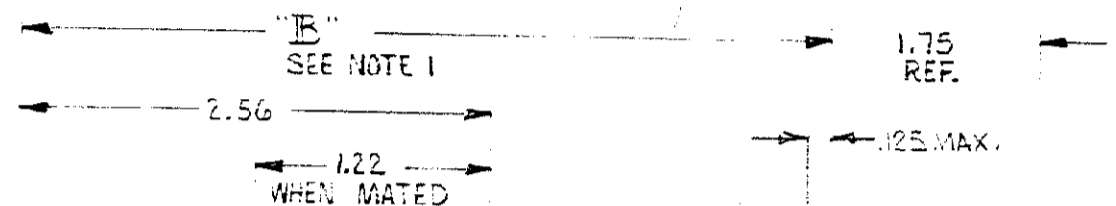
© COPYRIGHT 1977 BY AMP INCORPORATED, HARRISBURG, PA. ALL INTERNATIONAL RIGHTS RESERVED. AMP INCORPORATED PRODUCTS COVERED BY U. S. AND FOREIGN PATENTS AND OR PATENTS PENDING.

		REVISIONS				
P	F	ZONE	LTR	DESCRIPTION	DATE	APPROVED
		A		REVISED NOTE 5 ECN 0188	11/17/77	MJ
		B		ADDED MARKING AREA 3, 176, 124, 1188	7/77/77	MJ
		C		REVISED PER ECO-09-010905	18MAY09	DE



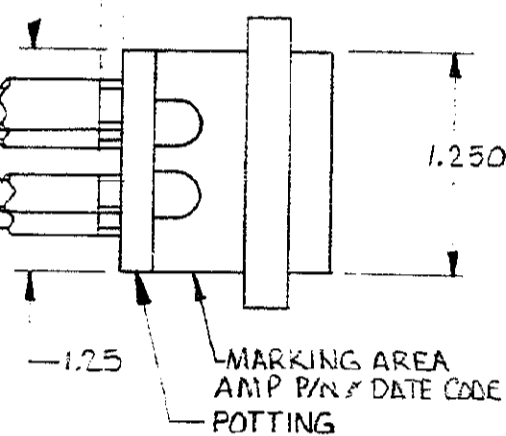
POLYOLEFIN SHRINK TUBING, TYP. (6)

#20 AWG SILICONE INSULATED LEAD WIRE, TYP. (6)

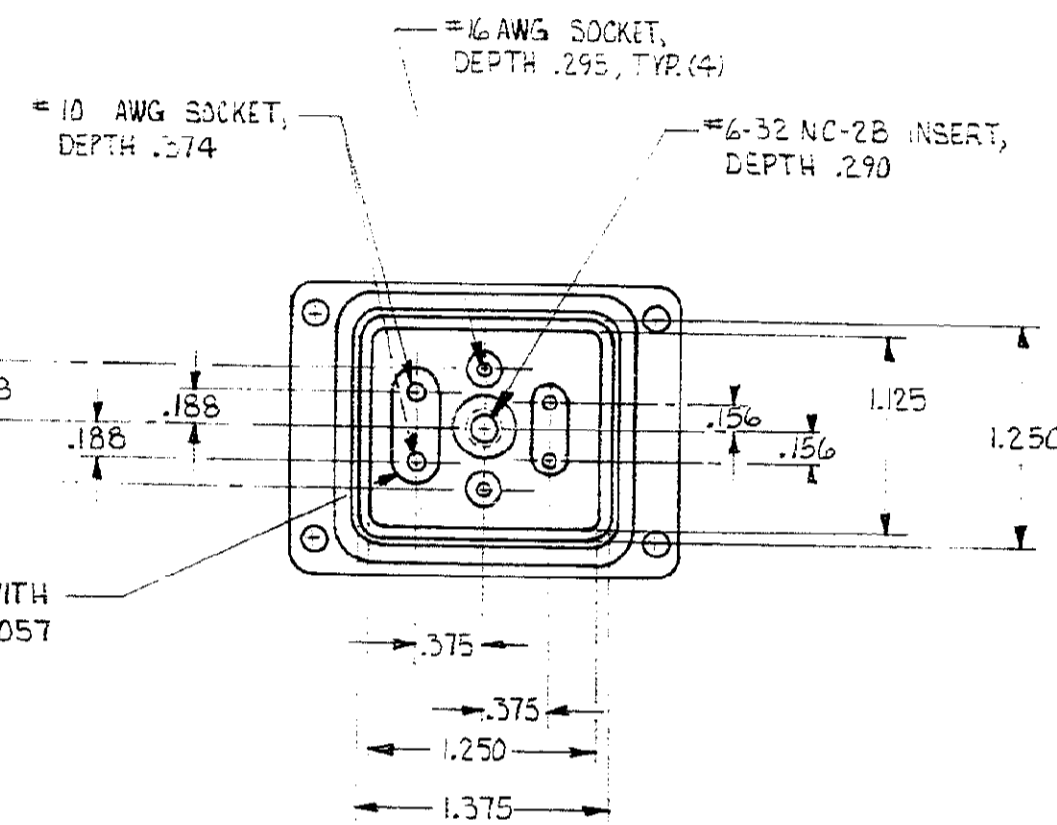


MOLED END, TYP. (6)

5 MOLED ENDS OMITTED FOR CLARITY



TO MATE WITH AMP # 858057



#16 AWG SOCKET, DEPTH .295, TYP. (4)

#10 AWG SOCKET, DEPTH .374

#6-32 NC-28 INSERT, DEPTH .290

NOTE:

- TOLERANCE: UP TO 24" = $\pm .25$
24" & UP = $\pm 2\%$
- CUSTOMER MARKING, WHEN REQ'D: SEE CUSTOMERS LATEST SPEC. ON WHERE AND WHAT TO MARK. ALL MARKING TO BE IN BLACK.
- POTTING COMPOUND: RTV-21 PER MIL-D-46838.
- RECEP. MAT'L: MOLED GLASS EPOXY PER MIL-M-24325.
- HI-POT VOLTAGE: MATED CONDITION
ALL TERMINALS TO SHELL: 17 KVDC.
- Six position receptacle is not hermetically sealed

863461-1	36.00"
PART NO.	"B" DIM.

	QTY REQD	FINAL ASSY	NEXT ASSY	USED ON	APPLICATION

UNLESS OTHERWISE SPECIFIED DIMENSIONS ARE IN INCHES. TOLERANCES: .00 \pm .02 .000 \pm .005 ANGLES \pm	CONTRACT NO	
	DR	DICK STONE 2-4-77
	CHK	
MATERIAL	APPD	M.J. Gardner 2/4/77
	APPD	
FINISH	DSGN APPD	
	OTHER APPD	

Tyco Electronics <small>Tyco Electronics Harrisburg, PA 17105-3608</small>		PART NO	
NAME			
RECEPTACLE & LEAD ASSEMBLY			
SIZE	CODE	IDENT NO	DRAWING NO
C		00779	863461
SCALE		SHEET 10/11	