



Chipsmall Limited consists of a professional team with an average of over 10 year of expertise in the distribution of electronic components. Based in Hongkong, we have already established firm and mutual-benefit business relationships with customers from,Europe,America and south Asia,supplying obsolete and hard-to-find components to meet their specific needs.

With the principle of "Quality Parts,Customers Priority,Honest Operation,and Considerate Service",our business mainly focus on the distribution of electronic components. Line cards we deal with include Microchip,ALPS,ROHM,Xilinx,Pulse,ON,Everlight and Freescale. Main products comprise IC,Modules,Potentiometer,IC Socket,Relay,Connector.Our parts cover such applications as commercial,industrial, and automotives areas.

We are looking forward to setting up business relationship with you and hope to provide you with the best service and solution. Let us make a better world for our industry!



Contact us

Tel: +86-755-8981 8866 Fax: +86-755-8427 6832

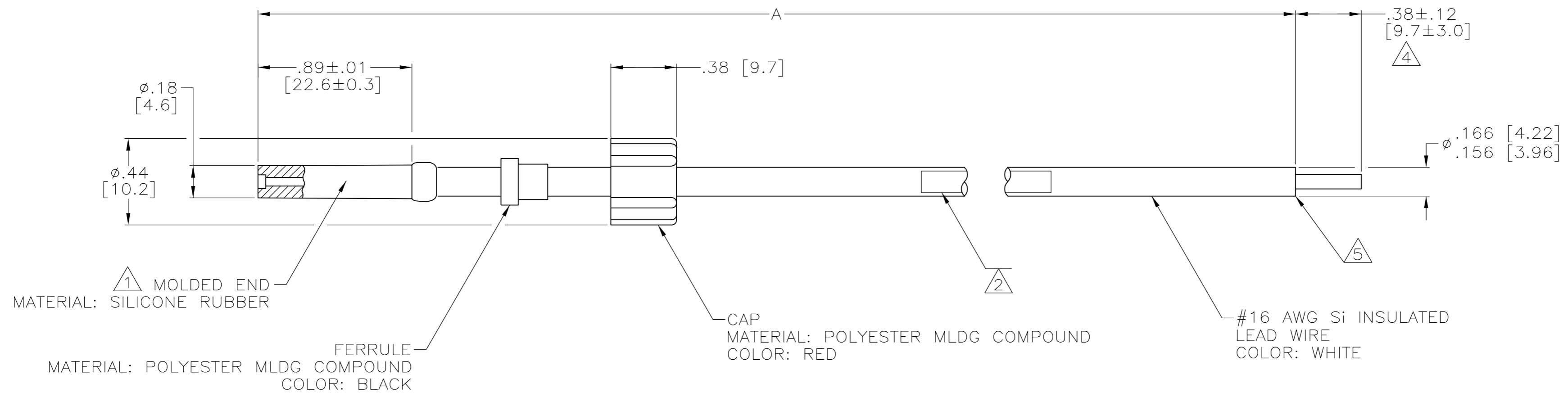
Email & Skype: info@chipsmall.com Web: www.chipsmall.com

Address: A1208, Overseas Decoration Building, #122 Zhenhua RD., Futian, Shenzhen, China



THIS DRAWING IS UNPUBLISHED. RELEASED FOR PUBLICATION - N/A .
 © COPYRIGHT N/A BY TYCO ELECTRONICS CORPORATION. ALL RIGHTS RESERVED.

LOC	DIST	REVISIONS					
DF	S0	P	LTR	DESCRIPTION	DATE	DWN	APVD
		H		REV PER ECO-05-002828	08-05	AA	DE



- 1 TO MATE WITH AMP LGH 1/2L RECEPTACLE WITH .89 [22.6] BARREL DEPTH
- 2 MARK PER MIL-STD-130.
- 3. OPERATING VOLTAGE: 15 KVDC AT 0 TO 70,000 FEET, -55°C TO 125°C.
- 4 PIGTAILS ARE SOLDER DIPPED.
- 5 INSULATION CUT, BUT NOT REMOVED.

5	14.63±.12 [371.6±3.0]	6-863534-4	
5	36.00±.24 [914.4±6.1]	5-863534-9	
5	10.00±.12 [254.0±3.0]	5-863534-3	
4	16.63±.12 [422.4±3.0]	1-863534-6	
OBSOLETE	4	5.63±.12 [143.0±3.0]	1-863534-5
	4	14.63±.12 [371.6±3.0]	1-863534-4
OBSOLETE	4	14.50±.12 [368.3±3.0]	1-863534-3
OBSOLETE	4	9.00±.12 [228.6±3.0]	1-863534-2
	4	20.00±.12 [508.0±3.0]	1-863534-1
OBSOLETE	4	19.00±.12 [482.6±3.0]	1-863534-0
	4	36.00±.24 [914.4±6.1]	863534-9
OBSOLETE	4	24.00±.24 [609.6±6.1]	863534-8
	4	21.00±.12 [533.4±3.0]	863534-7
	4	18.00±.12 [457.2±3.0]	863534-6
	4	15.00±.12 [381.0±3.0]	863534-5
OBSOLETE	4	12.00±.12 [304.8±3.0]	863534-4
	4	10.00±.12 [254.0±3.0]	863534-3
OBSOLETE	4	8.00±.12 [203.2±3.0]	863534-2
OBSOLETE	4	6.00±.12 [152.4±3.0]	863534-1

REMARKS A PART NO

THIS DRAWING IS A CONTROLLED DOCUMENT.		DWN	T.SHUEY	29-SEP-89	Tyco Electronics Corporation Harrisburg, Pa 17105-3608
DIMENSIONS: INCHES [mm]		CHK	C.CHEHOVIN	09-OCT-89	
TOLERANCES UNLESS OTHERWISE SPECIFIED:		APVD	D.EABY	09-OCT-89	
0 PLC ± - 1 PLC ± - 2 PLC ± .02 [0.5] 3 PLC ± - 4 PLC ± - ANGLES ± - FINISH -		NAME		LEAD ASSY SGL END, POSITIVE STOP LGH-1/2L	
MATERIAL -		WEIGHT -		SIZE A2	CAGE CODE 00779
		CUSTOMER DRAWING		DRAWING NO C=863534	RESTRICTED TO -
		SCALE 2:1		SHEET 1 OF 1	REV H