



Chipsmall Limited consists of a professional team with an average of over 10 year of expertise in the distribution of electronic components. Based in Hongkong, we have already established firm and mutual-benefit business relationships with customers from,Europe,America and south Asia,supplying obsolete and hard-to-find components to meet their specific needs.

With the principle of “Quality Parts,Customers Priority,Honest Operation,and Considerate Service”,our business mainly focus on the distribution of electronic components. Line cards we deal with include Microchip,ALPS,ROHM,Xilinx,Pulse,ON,Everlight and Freescale. Main products comprise IC,Modules,Potentiometer,IC Socket,Relay,Connector.Our parts cover such applications as commercial,industrial, and automotives areas.

We are looking forward to setting up business relationship with you and hope to provide you with the best service and solution. Let us make a better world for our industry!



## Contact us

Tel: +86-755-8981 8866 Fax: +86-755-8427 6832

Email & Skype: info@chipsmall.com Web: www.chipsmall.com

Address: A1208, Overseas Decoration Building, #122 Zhenhua RD., Futian, Shenzhen, China



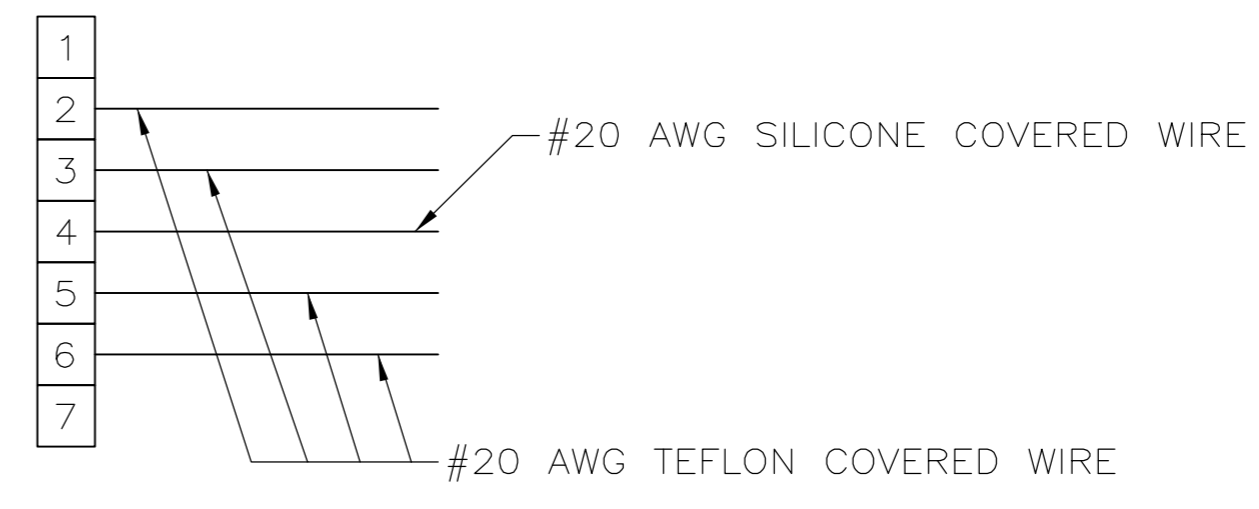
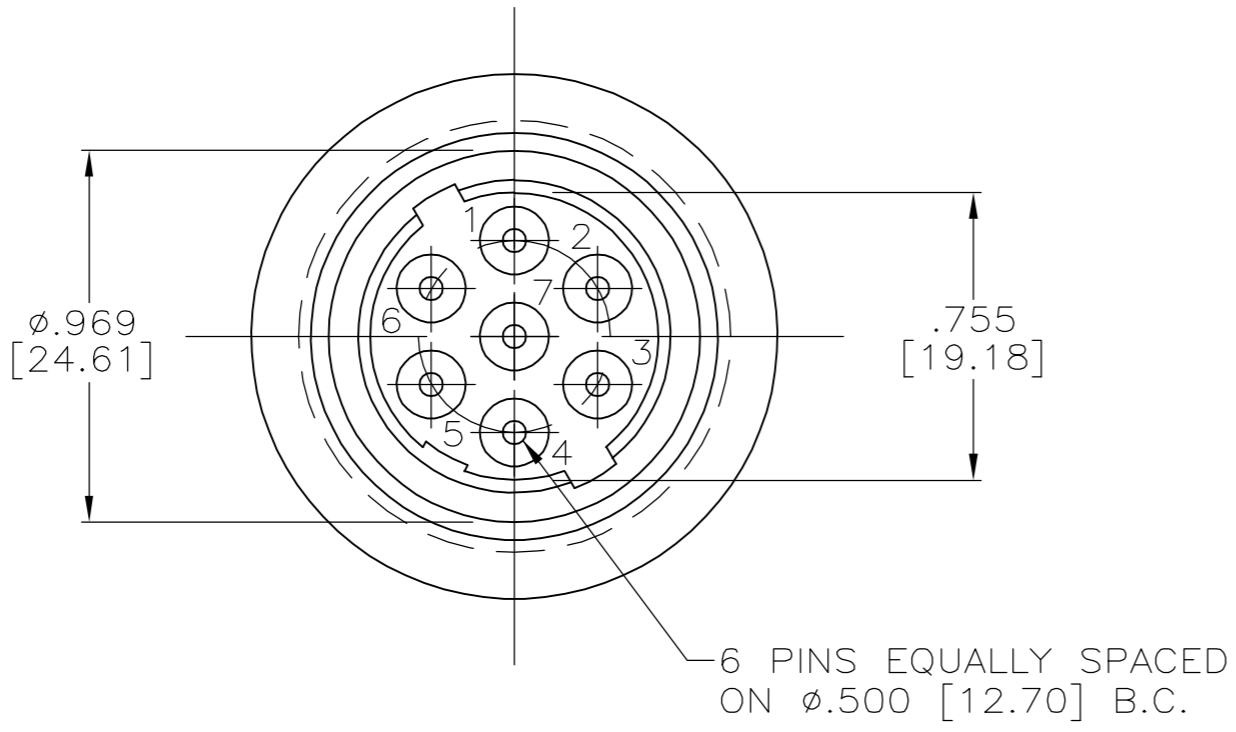
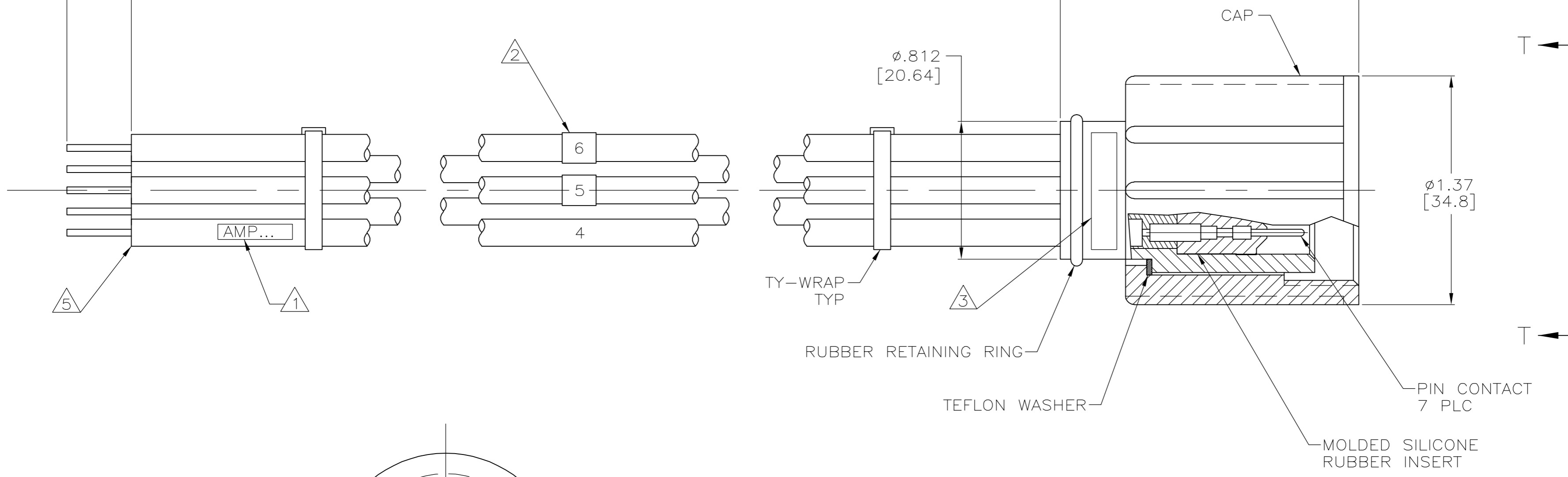
THIS DRAWING IS UNPUBLISHED. RELEASED FOR PUBLICATION - N/A .  
 © COPYRIGHT N/A BY TYCO ELECTRONICS CORPORATION. ALL RIGHTS RESERVED.

LOC	DIST	REVISIONS					
DF	S0	P	LTR	DESCRIPTION	DATE	DWN	APVD
		G		REV PER ECO-05-003705	08-05	AA	DE

$.38 \pm .12$   
[9.7 ± 3.0]  
④

$12.00 \pm .12$   
[304.8 ± 3.0]

$1.97 \text{ MAX}$   
[50.0]



VIEW T-T

SCHEMATIC

- ① AMP AND AMP PART NO. MARKED PER MIL-STD-130 ON LEAD #4.
- ② PINS #2,3,4,5 & 6 TO BE WIRED AND LEADS ARE MARKED WITH PIN NUMBER.
- ③ AMP PART NO. 858915-1 MARKED IN THIS AREA PER MIL-STD-130.
- ④ PIGTAILS ARE SOLDER DIPPED. (863566-1 ONLY)
- ⑤ INSULATION CUT, BUT NOT REMOVED. (5-863566-1 ONLY)

5-863566-1  
863566-1  
PART NUMBER

THIS DRAWING IS A CONTROLLED DOCUMENT.		DWN C.C.THOMAS 26-APR-97	Tyco Electronics Corporation Harrisburg, Pa 17105-3608	
DIMENSIONS: INCHES [mm]		CHK S.GLATFELTER 16-JUL-97		
TOLERANCES UNLESS OTHERWISE SPECIFIED:		APVD S.GLATFELTER 16-JUL-97	NAME PLUG ASSY 7 PIN LGH	
0 PLC ± - 1 PLC ± - 2 PLC ± .02 [0.5] 3 PLC ± .005 [0.13] 4 PLC ± - ANGLES ± - FINISH -		APPLICATION SPEC	SIZE A2	CAGE CODE 00779
MATERIAL		WEIGHT	DRAWING NO C=863566	RESTRICTED TO
		CUSTOMER DRAWING	SCALE 2:1	SHEET 1 OF 1
			REV G	

863566