



Chipsmall Limited consists of a professional team with an average of over 10 year of expertise in the distribution of electronic components. Based in Hongkong, we have already established firm and mutual-benefit business relationships with customers from,Europe,America and south Asia,supplying obsolete and hard-to-find components to meet their specific needs.

With the principle of “Quality Parts,Customers Priority,Honest Operation,and Considerate Service”,our business mainly focus on the distribution of electronic components. Line cards we deal with include Microchip,ALPS,ROHM,Xilinx,Pulse,ON,Everlight and Freescale. Main products comprise IC,Modules,Potentiometer,IC Socket,Relay,Connector.Our parts cover such applications as commercial,industrial, and automotives areas.

We are looking forward to setting up business relationship with you and hope to provide you with the best service and solution. Let us make a better world for our industry!



Contact us

Tel: +86-755-8981 8866 Fax: +86-755-8427 6832

Email & Skype: info@chipsmall.com Web: www.chipsmall.com

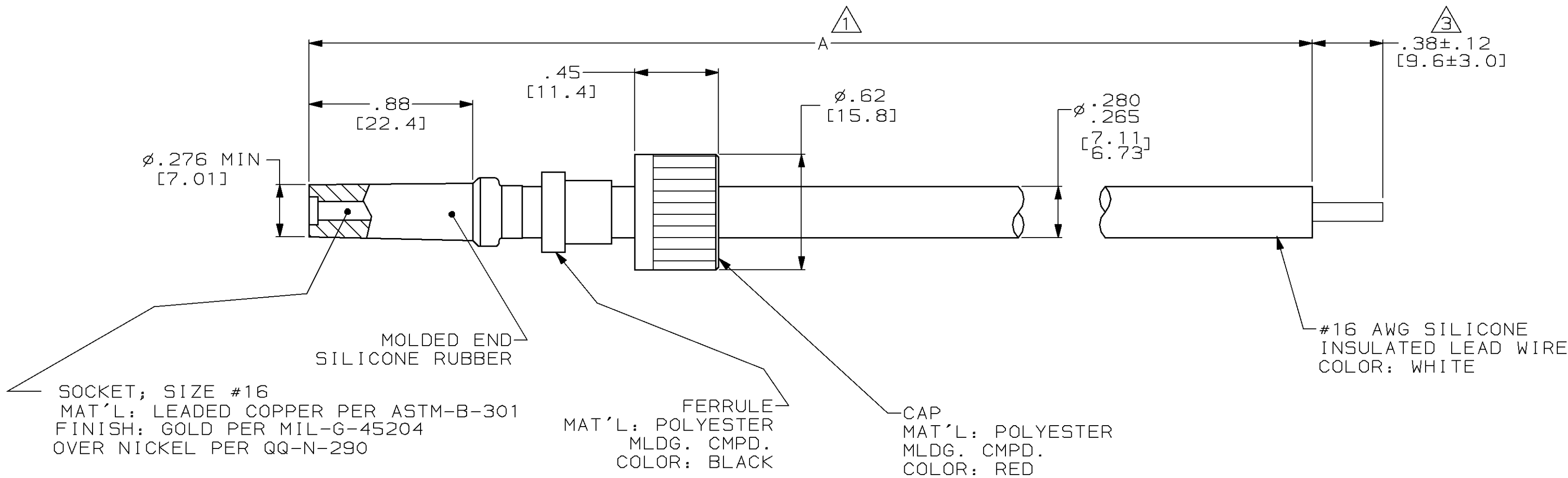
Address: A1208, Overseas Decoration Building, #122 Zhenhua RD., Futian, Shenzhen, China



THIS DRAWING IS UNPUBLISHED. RELEASED FOR PUBLICATION
 © COPYRIGHT 19 BY AMP INCORPORATED. ALL INTERNATIONAL RIGHTS RESERVED.

PROD 4086 CODE	LOC DF	DIST SO	P	F	REVISIONS				
					ZONE	LTR	DESCRIPTION	DATE	APPD
					E		REV & REDRAWN PER DF-5817 CT	1-92	SG
					F		REV PER 0600-935-93 CT	10-93	CS
					G		REV PER 0600-5719-96 CT	9-96	SG

PART NO.	A	REMARKS
863703-1	6.00 [152.4]	△6
863703-2	8.00 [203.2]	△6
863703-3	10.00 [254.0]	△6
863703-4	12.00 [304.8]	△6
863703-5	15.00 [381.0]	△6
863703-6	18.00 [457.2]	△6
863703-7	21.00 [533.4]	△6 OBSOLETE
863703-8	24.00 [609.6]	△6
863703-9	36.00 [914.4]	△6
1-863703-0	40.00 [1016.0]	△6 OBSOLETE
1-863703-1	60.00 [1524.0]	△6
1-863703-2	9.50 [241.3]	
1-863703-3	7.00 [177.8]	△6
1-863703-4	30.00 [762.0]	△6
1-863703-5	72.00 [1828.8]	
1-863703-6	12.62 [320.5]	△6 OBSOLETE
1-863703-7	25.00 [635.0]	△6 OBSOLETE
1-863703-8	33.00 [838.2]	△6 OBSOLETE
1-863703-9	26.00 [660.4]	△6 OBSOLETE
2-863703-0	20.00 [508.0]	△6 OBSOLETE
2-863703-1	108.00 [2743.2]	△6 OBSOLETE
2-863703-2	120.00 [3048.0]	



- △1 TOLERANCE OF LEAD LENGTH:
UP TO 24 INCHES [609.6] = ±.12 [±3.1]
24 INCHES [609.6] & UP = ±1%
- 2. MARKED PER MIL-STD-130.
- △3 PIGTAIL IS SOLDER DIPPED.
- 4. TO MATE WITH AMP LGH-1 RECEPTACLE WITH .88 [22.4] BARREL DEPTH.
- 5. OPERATING VOLTAGE: 20 KVDC AT 0 TO 70,000 FEET; -55°C TO 125°C.
- △6 THESE PART NO'S HAVE THE MARKING IN THE CENTER OF THE LEAD.

DO NOT SCALE PRINT. UNLESS SPECIFIED DIMENSIONS IN INCHES [mm] TOLERANCES ON: 2 PLC DEC ± .02 [0.5] 3 PLC DEC ± - ANGLES ± -	DR 1-27-92 C.C. THOMAS	AMP Incorporated Harrisburg, PA 17105-3608
	CHK 1-29-92 S. GLATFELTER	
MATERIAL SEE CALLOUTS	APPD 1-29-92 S. GLATFELTER	NAME
	APPD 1-29-92 C. THOMAS	LEAD ASS'Y, SGL. END, POS. STOP, LGH-1
FINISH SEE CALLOUTS	PRODUCT SPEC -	SIZE
	APPLICATION SPEC -	CAGE CODE 00779
WEIGHT -		DRAWING NO 863703
	SCALE 2:1	SHEET 1 OF 1