



Chipsmall Limited consists of a professional team with an average of over 10 year of expertise in the distribution of electronic components. Based in Hongkong, we have already established firm and mutual-benefit business relationships with customers from,Europe,America and south Asia,supplying obsolete and hard-to-find components to meet their specific needs.

With the principle of "Quality Parts,Customers Priority,Honest Operation,and Considerate Service",our business mainly focus on the distribution of electronic components. Line cards we deal with include Microchip,ALPS,ROHM,Xilinx,Pulse,ON,Everlight and Freescale. Main products comprise IC,Modules,Potentiometer,IC Socket,Relay,Connector.Our parts cover such applications as commercial,industrial, and automotives areas.

We are looking forward to setting up business relationship with you and hope to provide you with the best service and solution. Let us make a better world for our industry!



Contact us

Tel: +86-755-8981 8866 Fax: +86-755-8427 6832

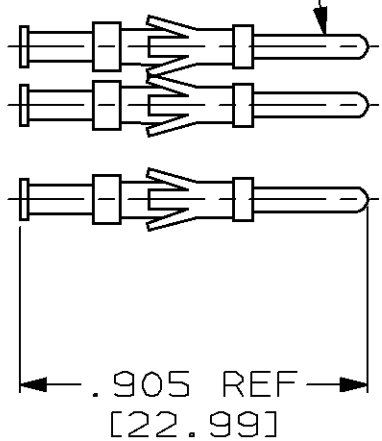
Email & Skype: info@chipsmall.com Web: www.chipsmall.com

Address: A1208, Overseas Decoration Building, #122 Zhenhua RD., Futian, Shenzhen, China

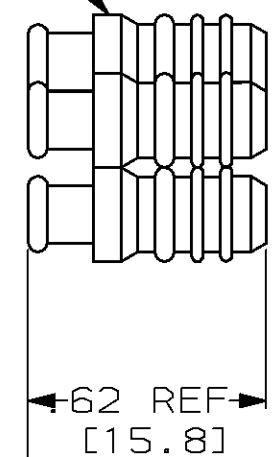


PROD CODE	LOC	DIST	P	F	ZONE	LTR	REVISIONS	DATE	APPD
4081	DF	SO				J	REV PER 0600-7385-98 JY	9-98	DE

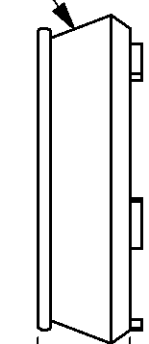
#18-16 AWG PIN
QTY = 5



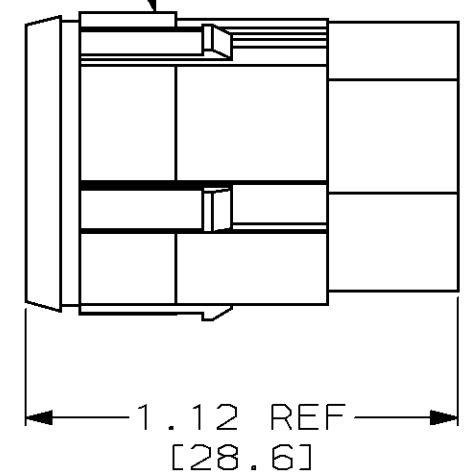
SILICONE RUBBER BOOT
BOOT QTY = 5



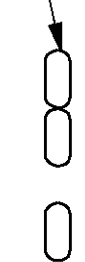
REAR SEALING GASKET



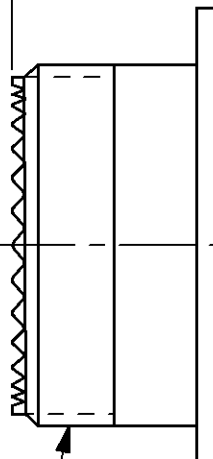
PIN INSERT



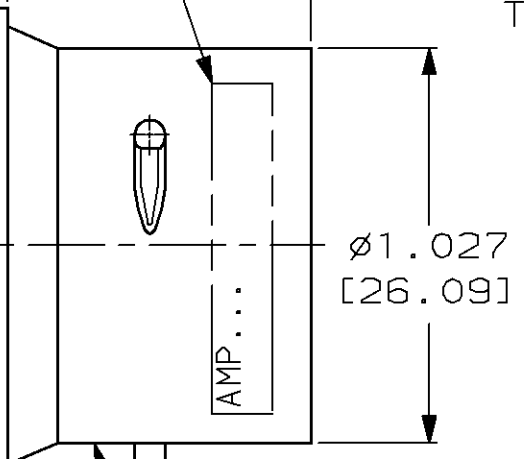
INTERFACE SEAL
QTY = 5



.540 [13.72]

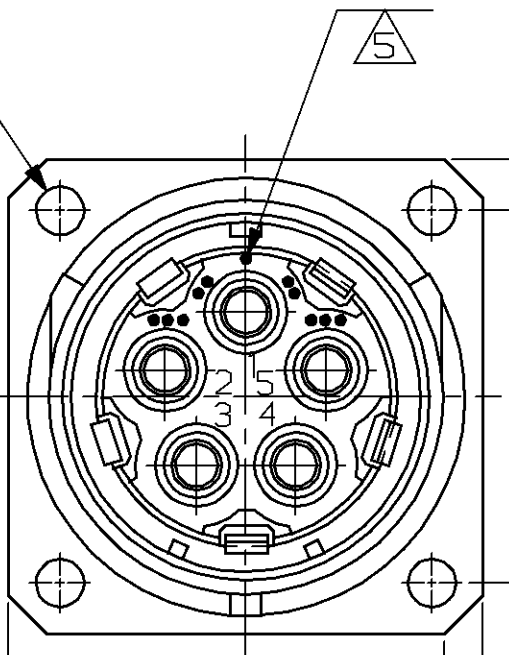


.790 [20.07]



RECEPTACLE SHELL

ø.125 [3.18] TYP



.133 TYP [3.38]

.969 [24.61] TYP

- THIS RECEPTACLE REQUIRES A SIZE 16 MIL-C-38999F BACKSHELL OR EQUIVALENT STRAIN RELIEF.
- THE INDICATED DIMENSIONS APPLY AFTER ASSEMBLY. COMPLETE OVERALL DIMENSIONS AFTER ASSEMBLY DEPEND UPON THE SPECIFIC BACKSHELL OR STRAIN RELIEF USED.
- MARKED PER MIL-STD-130 USING BLACK INK. .09 [2.3] HIGH CHARS FOR -1 ONLY. .060 [1.52] HIGH CHARS FOR ALL OTHER DASH NUMBERS. SEE TABLE FOR SPECIAL MARKING.
- TO ASSEMBLE SEE INSTRUCTION SHEET #864886-3.
- SINGLE DOT POLARIZATION SHOWN FOR REFERENCE ONLY.

(00779/AMP,863755-4) DATE CODE	49956-848285-3B REV M	863755-4
(00779/AMP,863755-3) DATE CODE	49956-848285-3A REV M	863755-3
(00779/AMP,863755-2) DATE CODE	49956-848285-3 REV M	863755-2
(00779/AMP,863755-1) DATE CODE	-	863755-1
AMP INFO	CUSTOMER INFO	PART NO.

DO NOT SCALE PRINT. UNLESS SPECIFIED DIMENSIONS IN INCHES [mm] TOLERANCES ON : 2 PLC DEC ± .02 [0.5] 3 PLC DEC ± .010 [0.25] ANGLES ± -	DR 11-19-96 C.C.THOMAS	AMP Incorporated Harrisburg, PA 17105-3608
MATERIAL -	CHK 11-26-96 C.SHELLY	
FINISH -	APPD 11-26-96 C.SHELLY	NAME RCPT KIT, 5 POSN., LGH
	RLSE 11-26-96 C.C.THOMAS	SIZE CAGE CODE DRAWING NO C 00779 C=863755
	PRODUCT SPEC -	SCALE 2:1 SHEET 1 OF 1
	APPLICATION SPEC -	
	WEIGHT -	

THIS DRAWING IS A CONTROLLED DOCUMENT FOR AMP INCORPORATED. IT IS SUBJECT TO CHANGE AND THE CONTROLLING ENGINEERING ORGANIZATION SHOULD BE CONTACTED FOR THE LATEST REVISION.