



Chipsmall Limited consists of a professional team with an average of over 10 year of expertise in the distribution of electronic components. Based in Hongkong, we have already established firm and mutual-benefit business relationships with customers from,Europe,America and south Asia,supplying obsolete and hard-to-find components to meet their specific needs.

With the principle of "Quality Parts,Customers Priority,Honest Operation,and Considerate Service",our business mainly focus on the distribution of electronic components. Line cards we deal with include Microchip,ALPS,ROHM,Xilinx,Pulse,ON,Everlight and Freescale. Main products comprise IC,Modules,Potentiometer,IC Socket,Relay,Connector.Our parts cover such applications as commercial,industrial, and automotives areas.

We are looking forward to setting up business relationship with you and hope to provide you with the best service and solution. Let us make a better world for our industry!



Contact us

Tel: +86-755-8981 8866 Fax: +86-755-8427 6832

Email & Skype: info@chipsmall.com Web: www.chipsmall.com

Address: A1208, Overseas Decoration Building, #122 Zhenhua RD., Futian, Shenzhen, China

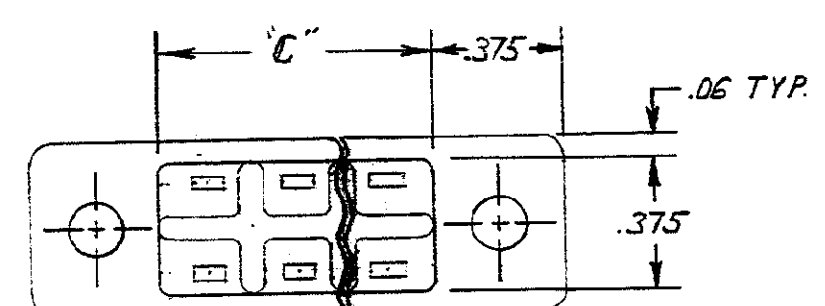
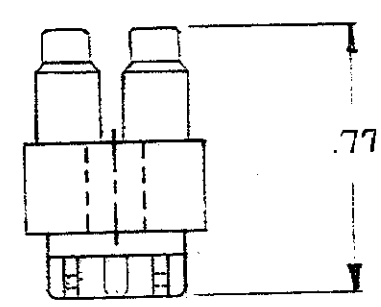
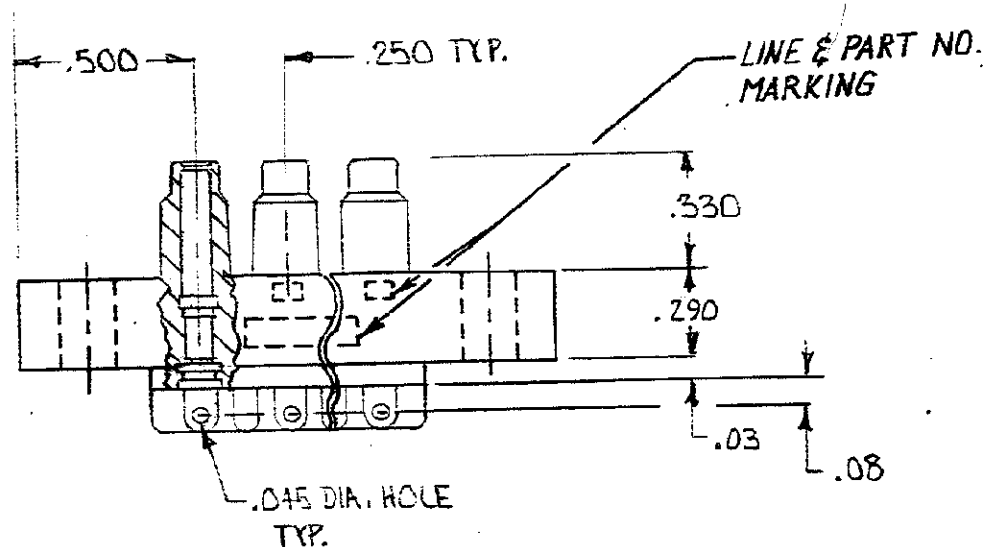
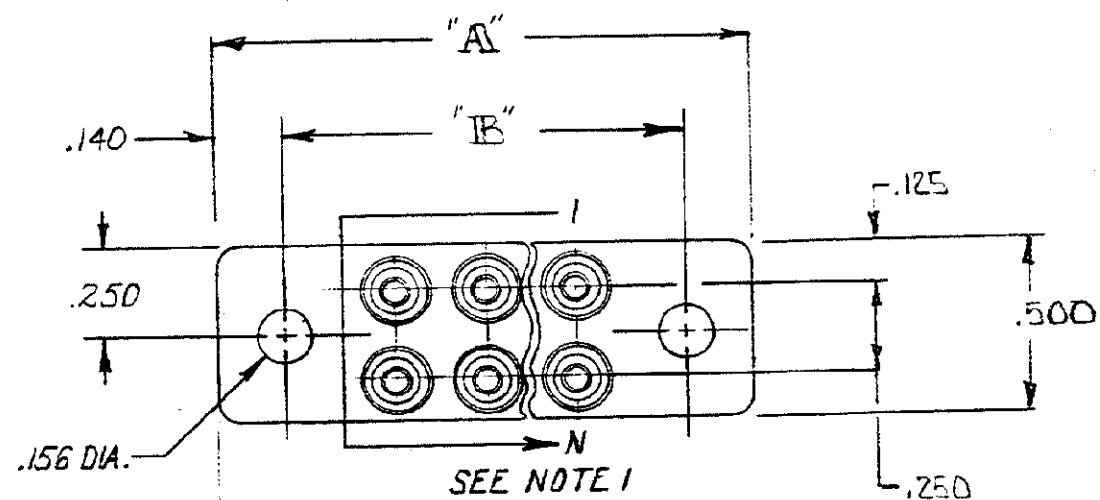


DRAWING MADE IN THIRD ANGLE PROJECTION

© COPYRIGHT 1977 BY AMP INCORPORATED, HARRISBURG, PA. ALL INTERNATIONAL RIGHTS RESERVED. AMP INCORPORATED PRODUCTS COVERED BY U. S. AND FOREIGN PATENTS AND/OR PATENTS PENDING.

LOC DIST OF 50

REVISIONS					
P	F	ZONE	LTR	DESCRIPTION	DATE APPROVED
				WAS SK-5685BA1	9-20-77
				RELEASED FOR PROD.	RN 9/21/77
				ADDED NOTE 1 & MARKING ECN 8180	RN 10-28-77
		B-3	B	.290 WAS .260, .03 WAS .06, ECN 8192, DS	11-16-77
				REV CONES ECN 8227	RN 2-15-78
				REV. PER ECN. 8740	AS 3-27-78
				OBSOLETE -3 ECN S3614	1-19-87
				OBSOLETE -5 ECN L1556	4-7-87
				REACTIVATED -5 ECN S3524	
				OBS-1-6-LELNAF0376	2P 2-89



AMP P/N	CONTACTS	"A" DIM.	"B" DIM.	"C" DIM.
OBSOLETE 863769-1	2	1.000	.719	.250
863769-2	4	1.250	.969	.500
OBSOLETE 863769-3	6	1.500	1.219	.750
863769-4	8	1.750	1.469	1.000
863769-5	10	2.000	1.719	1.250
OBS 863769-6	12	2.250	1.969	1.500

NOTE:
1. LINE NUMBERS ARE MARKED ON THE SIDES COUNTING FROM 1 TO N AS SHOWN (N=NUMBER OF CONTACTS).

				UNLESS OTHERWISE SPECIFIED DIMENSIONS ARE IN INCHES. TOLERANCES: .00 ± .02 .000 ± .005 ANGLES ±		CONTRACT NO		AMP INCORPORATED Elizabethtown, Pa.	
				MATERIAL MOLDED GLASS EPOXY		DR <i>R.C. Fry</i> 8-2-77		NAME	
				FINISH BLACK		CHK		SOCKET HOUSING ASSEMBLY	
						APPD <i>H. Hansen</i> 8-3-77		(LGH)	
						APPD <i>R.C. Fry</i> 9-21-77		DRAWING NO	
						DSGN APPD		C 00779 863769	
						OTHER APPD		SCALE 1/1	
NEXT ASSY		FINAL ASSY		NEXT ASSY		USED ON		SHEET 1 OF 1	
QTY REQD		APPLICATION							

CUSTOMER DRAWING