



Chipsmall Limited consists of a professional team with an average of over 10 year of expertise in the distribution of electronic components. Based in Hongkong, we have already established firm and mutual-benefit business relationships with customers from,Europe,America and south Asia,supplying obsolete and hard-to-find components to meet their specific needs.

With the principle of “Quality Parts,Customers Priority,Honest Operation,and Considerate Service”,our business mainly focus on the distribution of electronic components. Line cards we deal with include Microchip,ALPS,ROHM,Xilinx,Pulse,ON,Everlight and Freescale. Main products comprise IC,Modules,Potentiometer,IC Socket,Relay,Connector.Our parts cover such applications as commercial,industrial, and automotives areas.

We are looking forward to setting up business relationship with you and hope to provide you with the best service and solution. Let us make a better world for our industry!



## Contact us

Tel: +86-755-8981 8866 Fax: +86-755-8427 6832

Email & Skype: info@chipsmall.com Web: www.chipsmall.com

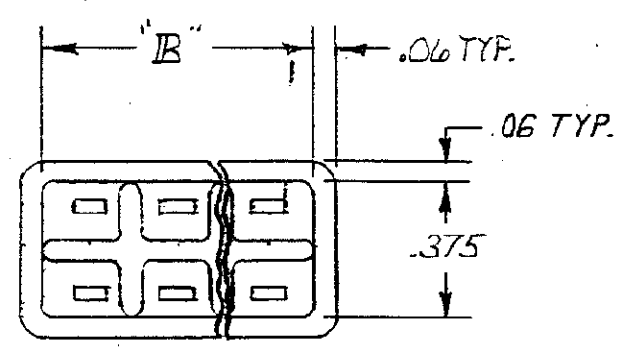
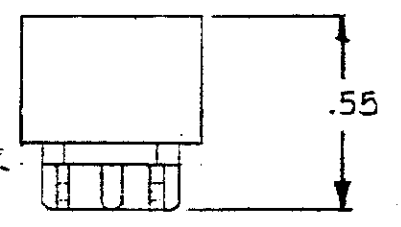
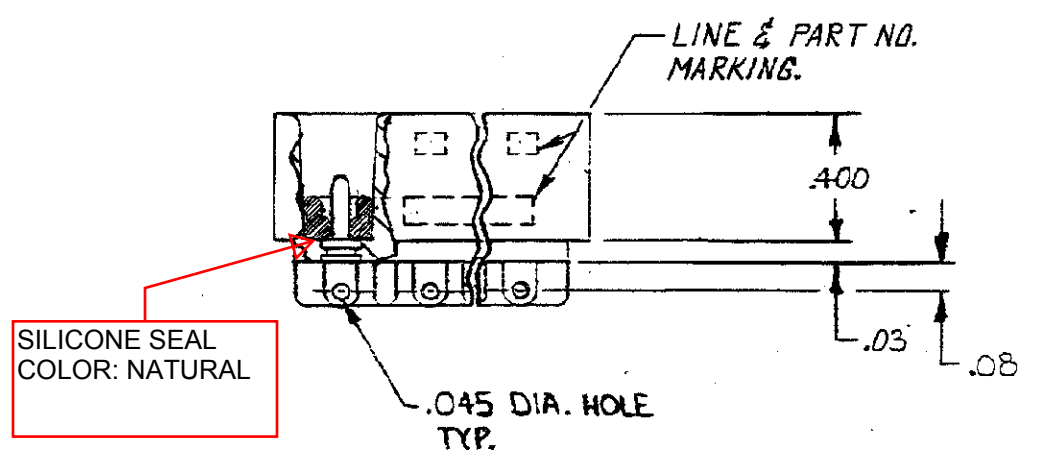
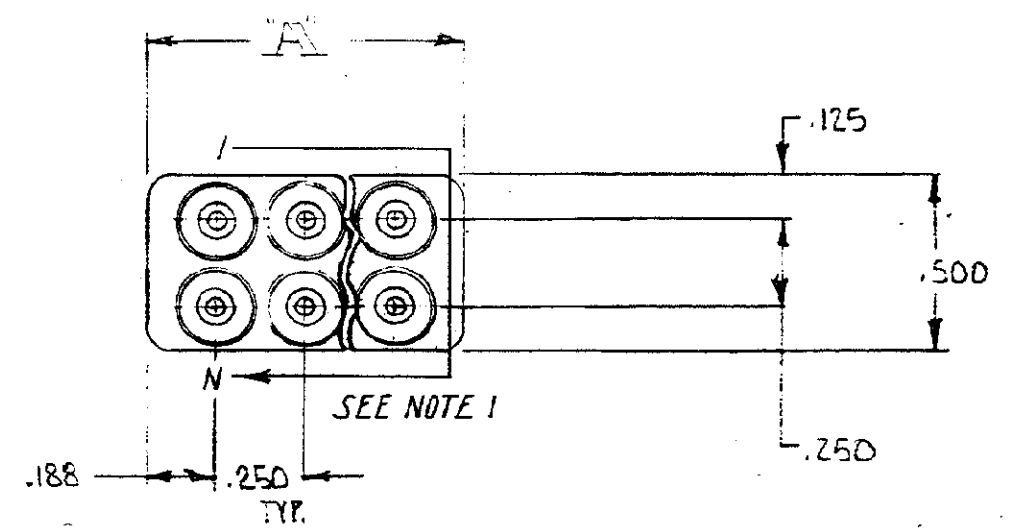
Address: A1208, Overseas Decoration Building, #122 Zhenhua RD., Futian, Shenzhen, China



© COPYRIGHT 1977 BY AMP INCORPORATED, HARRISBURG, PA.  
ALL INTERNATIONAL RIGHTS RESERVED. AMP INCORPORATED PRODUCTS  
COVERED BY U. S. AND FOREIGN PATENTS AND/OR PATENTS PENDING.

UNPUBLISHED COPY NOT TO BE  
REPRODUCED NOR PUBLISHED  
WITHOUT WRITTEN PERMISSION  
OF AMP INCORPORATED.

REVISIONS						
P	F	ZONE	LTR	DESCRIPTION	DATE	APPROVED
				SK-50858C	9-10-77	
				RELEASED FOR PROD.	RN 9-12-77	
		A		ADDED NOTE I & MARKING ECN 8180	10-28-77	H. J. ...
		C-3	B	.400 WAS .370, .03 WAS .06, ECN 8192, DS	11-16-77	H. J. ...
			C	REV. PER ECN 8227	RN 2-15-78	H. J. ...
			D	UP-DATED ECN 8384	RGR 9-6-78	m.b.
			E	OBSOLETE -5 ECN L1556	4-7-87	JM
				REACTIVATED -5 ECN S 3524		
			F	REV PER ECO-10-017059	12-10	DE



AMP P/N	CONTACT	"A" DIM.	"B" DIM.
863773-1	2	.375	.250
863773-2	4	.625	.500
863773-3	6	.875	.750
863773-4	8	1.125	1.000
863773-5	10	1.375	1.250
863773-6	12	1.625	1.500

1. LINE NUMBERS ARE MARKED ON THE SIDES COUNTING FROM 1 TO N AS SHOWN (N=NUMBER OF CONTACTS).

				UNLESS OTHERWISE SPECIFIED DIMENSIONS ARE IN INCHES. TOLERANCES: .00 ± .02, .000 ± .005 ANGLES ±		CONTRACT NO 8-3-77		AMP INCORPORATED Elizabethtown, Pa.	
				MATERIAL MOLDED GLASS EPOXY		DR 8-3-77		NAME PIN HOUSING ASSEMBLY	
				FINISH BLACK		CHK 8-3-77		SIZE C	
						APPD 8-3-77		CODE IDENT NO 00779	
						APPD 9-21-77		DRAWING NO 863773	
						DSGN APPD		SHEET 1 OF 1 REV F	
						OTHER APPD		SCALE ~	
NEXT ASSY		FINAL ASSY		NEXT ASSY		USED ON		SHEET 1 OF 1 REV F	
QTY REQD		APPLICATION							

UP-DATED