



Chipsmall Limited consists of a professional team with an average of over 10 year of expertise in the distribution of electronic components. Based in Hongkong, we have already established firm and mutual-benefit business relationships with customers from,Europe,America and south Asia,supplying obsolete and hard-to-find components to meet their specific needs.

With the principle of “Quality Parts,Customers Priority,Honest Operation,and Considerate Service”,our business mainly focus on the distribution of electronic components. Line cards we deal with include Microchip,ALPS,ROHM,Xilinx,Pulse,ON,Everlight and Freescale. Main products comprise IC,Modules,Potentiometer,IC Socket,Relay,Connector.Our parts cover such applications as commercial,industrial, and automotives areas.

We are looking forward to setting up business relationship with you and hope to provide you with the best service and solution. Let us make a better world for our industry!



## Contact us

Tel: +86-755-8981 8866 Fax: +86-755-8427 6832

Email & Skype: info@chipsmall.com Web: www.chipsmall.com

Address: A1208, Overseas Decoration Building, #122 Zhenhua RD., Futian, Shenzhen, China



FCI CONFIDENTIAL



This document is the property of and embodies CONFIDENTIAL and PROPRIETARY information of FCI. No part of the information shown on this document may be used in any way or disclosed to others without the written consent of FCI. Copyright FCI.

1

2

3

4

PLATING ACTIVE ZONE			CHARACTERISTICS					
500 mating/unmating Ni: 2µm 0/+2µm Au: 1.27µm min	500 mating/unmating Cu flash Ni P : 2µm 0/+2µm Au: 0.2µm min (equivalent 0.8µm Au)	200 mating/unmating Cu flash Ni P : 2µm 0/+2µm Au: 0.15µm min (equivalent 0.4 µm Au)	CURRENT max A	AWG WIRE	mm <sup>2</sup> AREA	∅A +0 -0.05	∅B+0 -0.05	Clip colour
8638PPC4007LF	8638PPC4006LF	8638PPC4005LF	40	8-10	5-8	4.70	5.50	BLUE
8638PPC3007LF	8638PPC3006LF	8638PPC3005LF	30	9	6	3.75	4.75	WHITE
8638PPC2007LF	8638PPC2006LF	8638PPC2005LF	20	12-14	2-3	2.80	3.70	RED
8638PPC1007LF	8638PPC1006LF	8638PPC1005LF	10	16-18	0.9-1.3	1.80	2.55	BLACK

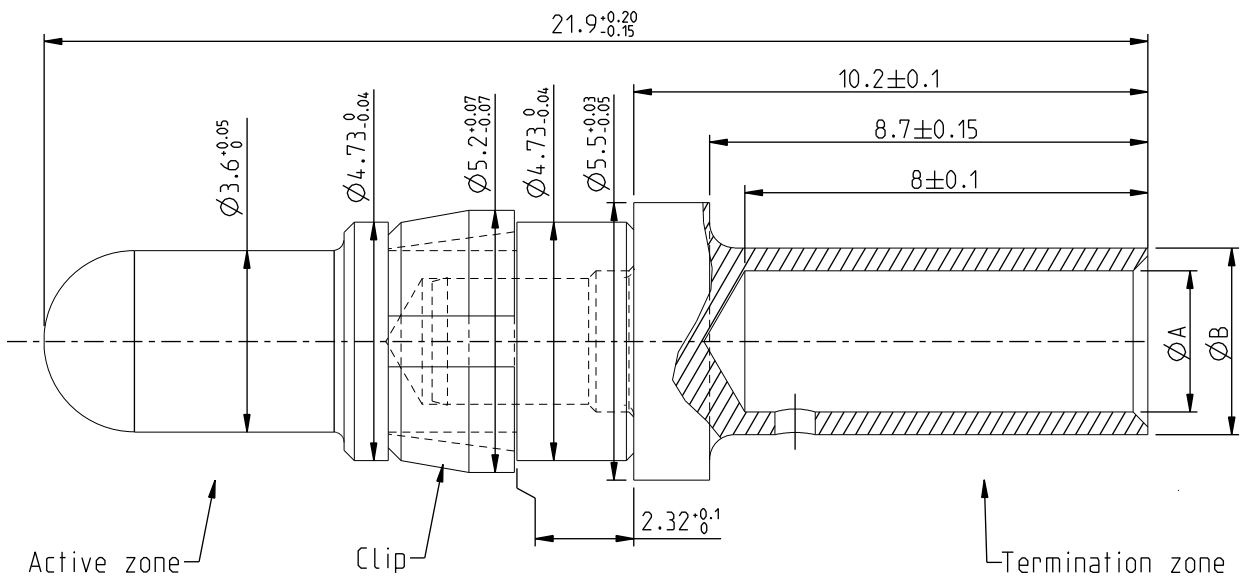
**NOTE: RoHS INFORMATIONS**  
 - The "LF" products meet European union Directives and regulations as described in GS-22-008  
 - Termination plating spec: Sn pure matte  
 - Packaging spec: see GS-14-920

**Materials and finish**  
 Active zone: CuZn40 Pb3. Plating see table  
 Termination zone (crimping sleeve): CuZn40Pb3  
 Plating 2µm 0/+2µm Cu - 3µm 0/+3µm Tin pure matte  
 Clip : Thermoset plastic

**Technical characteristics**  
 Peak voltage: 750 Veff.  
 Operating voltage: 500 Veff.  
 Temperature range -55 °C +125 °C  
 Packaged per 100  
 Current capability : see table

**Mechanical characteristics :**  
 Crimping test: according to MILC39029  
 Mechanical endurance: 200 or 500 matings/unmatings (see table).  
 Contact insertion force in insulator:  
 60N maxi in a hole of 4.80 mm

**Examination of product:**  
 Remove all burrs and sharp edges 0.08 maxi  
 No scratch allowed



Mark with	Material	SEE TABLE	Spec ref		
	Mat code		surface -	tolerance	projection
	Heatreat	-	ISO 1302	405	
	Plating/Finish	SEE TABLE		1101	mm
Or	JARRY	2002/02/28	size	A3	Scale
Eng	PESSON	2002/02/28	Product family	D-sub	10:1
Chr	LEGARE	2002/02/28	Model Name	8638PPC200XLF	ECN
Appr	LEGARE	2002/02/28	Model Revision	1	REL Level
rev	ecn no	dr	date		
N	F10-0076	LSA	2010/07/22		
H	LS06-0097	LGO	2006/07/27		
J	LS06-0029	MPE	2008/01/28		
K	F09-0054	LSA	2009/06/10		
L	F10-0031	GPE	2010/04/12		
M	F10-0065	LSA	2010-06-25		
FCI		Title	MALE CONTACT FOR CRIMPED CONNECTION		Rev.
Pro/E file		catalog no	-		N
Customer			C01-8638-0325		sheet 1 of 1

REV C - 2008-03-28

1

2

3

4