



Chipsmall Limited consists of a professional team with an average of over 10 year of expertise in the distribution of electronic components. Based in Hongkong, we have already established firm and mutual-benefit business relationships with customers from,Europe,America and south Asia,supplying obsolete and hard-to-find components to meet their specific needs.

With the principle of “Quality Parts,Customers Priority,Honest Operation,and Considerate Service”,our business mainly focus on the distribution of electronic components. Line cards we deal with include Microchip,ALPS,ROHM,Xilinx,Pulse,ON,Everlight and Freescale. Main products comprise IC,Modules,Potentiometer,IC Socket,Relay,Connector.Our parts cover such applications as commercial,industrial, and automotives areas.

We are looking forward to setting up business relationship with you and hope to provide you with the best service and solution. Let us make a better world for our industry!



Contact us

Tel: +86-755-8981 8866 Fax: +86-755-8427 6832

Email & Skype: info@chipsmall.com Web: www.chipsmall.com

Address: A1208, Overseas Decoration Building, #122 Zhenhua RD., Futian, Shenzhen, China





PLATING ACTIVE ZONE			CHARACTERISTICS					
500 mating/unmating Ni: $2\mu\text{m}^{+2\mu\text{m}}_0$ Au: $1.27\mu\text{m min}$	500 mating/unmating Cu : flash Ni P : $2\mu\text{m}^{+2\mu\text{m}}_0$ Au: $0.2\mu\text{m min}$ (equivalent 0.8 $\mu\text{m Au}$)	200 mating/unmating Cu : flash Ni P : $2\mu\text{m}^{+2\mu\text{m}}_0$ Au: $0.15\mu\text{m min}$ (equivalent 0.4 $\mu\text{m Au}$)	CURRENT max A	AWG WIRE	mm ² AREA	$\phi A^{+0.1}_0$	$\phi B \pm 0.1$	Clip colour
8638PPS4007LF	8638PPS4006LF	-----	40	8	8.35	4.40	5.50	BLUE
8638PPS2007LF	8638PPS2006LF	-----	20	12	3.31	2.80	3.65	RED
8638PPS1507LF	8638PPS1506LF	8638PPS1505LF	15	14	2.08	2.10	3.00	WHITE
8638PPS1007LF	8638PPS1006LF	-----	10	16	1.34	1.70	2.60	BLACK

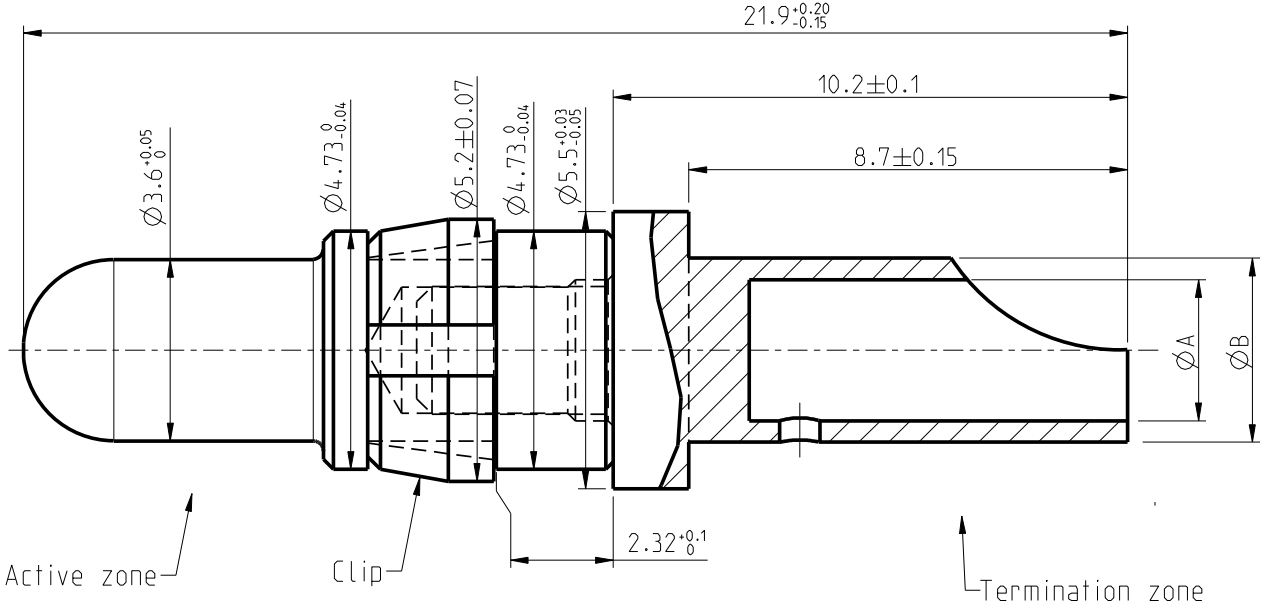
NOTE: RoHS INFORMATIONS
 - The "LF" products meet European union Directives and regulations as described in GS-22-008
 - Termination plating spec: Sn pure matte
 - Packaging spec: see GS-14-920

Materials and finish
 Active zone: CuZn40 Pb3. Plating: See table
 Termination zone (soldering sleeve): CuZn40Pb3
 Plating $2\mu\text{m}^{+2\mu\text{m}}_0$ Cu $3\mu\text{m}^{+3\mu\text{m}}_0$ Tin pure matte
 Clip : Thermostet plastic

Technical characteristics
 Peak voltage: 750 Veff.
 Operating voltage: 500 Veff.
 Temperature range -55 °C +125 °C
 Packaged per 100
 Current capability : see table

Mechanical characteristics :
 Mechanical endurance: 200 or 500 matings/unmatings (see table).
 Contact insertion force in insulator:
 60N maxi in a hole of 4.80 mm

Examination of product:
 Remove all burrs and sharp edges 0.08 maxi
 No scratch allowed



Mark with /		Material SEE NOTES		Spec ref																									
		Mat code -		surface -																									
		Heatreat -		tolerance <input checked="" type="checkbox"/> ISO 405																									
		Plating/Finish SEE TABLE + NOTES		ISO 1302 ISO 1101																									
		Dr JARRY 2002/02/28		projection <input type="checkbox"/> <input checked="" type="checkbox"/>																									
		Eng JARRY 2002/02/28		size A3																									
		Chr LEGARE 2002/02/28		Scale 10:1																									
		Appr LEGARE 2002/02/28		Model Name 8638PPS200XLF																									
				ECN F10-0031																									
				REL Level 1																									
<table border="1"> <thead> <tr> <th>rev</th> <th>ecn no</th> <th>dr</th> <th>date</th> </tr> </thead> <tbody> <tr> <td>B</td> <td>LS05-005</td> <td>JAR</td> <td>2002/02/28</td> </tr> <tr> <td>C</td> <td>LS06-0097</td> <td>MPE</td> <td>2005/04/14</td> </tr> <tr> <td>D</td> <td>LS08-0029</td> <td>LGO</td> <td>2006/07/27</td> </tr> <tr> <td>E</td> <td>F09-D054</td> <td>MPE</td> <td>2008/01/28</td> </tr> <tr> <td>F</td> <td>F10-0031</td> <td>GPE</td> <td>2010/04/12</td> </tr> </tbody> </table>		rev	ecn no	dr	date	B	LS05-005	JAR	2002/02/28	C	LS06-0097	MPE	2005/04/14	D	LS08-0029	LGO	2006/07/27	E	F09-D054	MPE	2008/01/28	F	F10-0031	GPE	2010/04/12			Title MALE POWER CONTACT SOLDERED CONNECTION	
rev	ecn no	dr	date																										
B	LS05-005	JAR	2002/02/28																										
C	LS06-0097	MPE	2005/04/14																										
D	LS08-0029	LGO	2006/07/27																										
E	F09-D054	MPE	2008/01/28																										
F	F10-0031	GPE	2010/04/12																										
Pro/E file		catalog no		dwg no C01-8638-0349 Rev. F																									