



Chipsmall Limited consists of a professional team with an average of over 10 year of expertise in the distribution of electronic components. Based in Hongkong, we have already established firm and mutual-benefit business relationships with customers from,Europe,America and south Asia,supplying obsolete and hard-to-find components to meet their specific needs.

With the principle of “Quality Parts,Customers Priority,Honest Operation,and Considerate Service”,our business mainly focus on the distribution of electronic components. Line cards we deal with include Microchip,ALPS,ROHM,Xilinx,Pulse,ON,Everlight and Freescale. Main products comprise IC,Modules,Potentiometer,IC Socket,Relay,Connector.Our parts cover such applications as commercial,industrial, and automotives areas.

We are looking forward to setting up business relationship with you and hope to provide you with the best service and solution. Let us make a better world for our industry!



Contact us

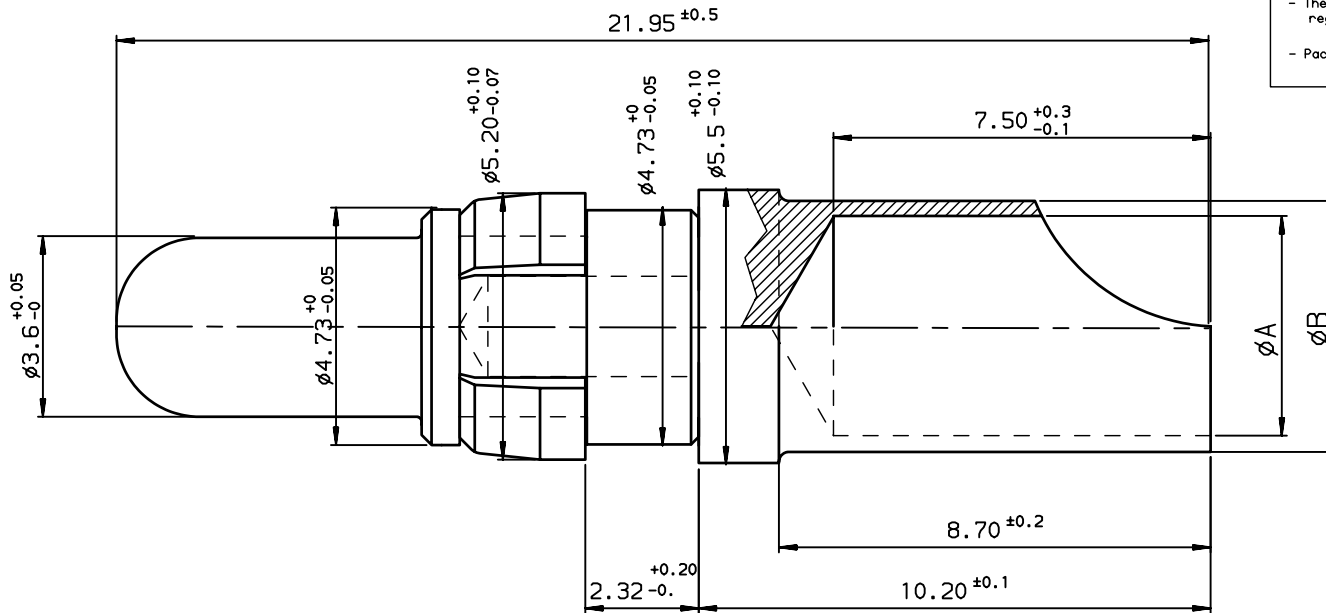
Tel: +86-755-8981 8866 Fax: +86-755-8427 6832

Email & Skype: info@chipsmall.com Web: www.chipsmall.com

Address: A1208, Overseas Decoration Building, #122 Zhenhua RD., Futian, Shenzhen, China



		Core range					
8638PPS4005	8638PPS4005LF	40	8	Section 8.98 mm ² Ø Ame 3.90 mm	4.40	5.50	blue
8638PPS2005	8638PPS2005LF	20	12	Section 3.18 mm ² Ø Ame 2.40 mm	2.80	3.65	red
8638PPS1005	8638PPS1005LF	10	16	Section 1.34 mm ² Ø Ame 1.50 mm	1.70	2.60	black
TIN LEAD PART NUMBER	LEAD FREE PART NUMBER	CURRENT max A	AWG	mm ²	ØA ^{+0.10} -0	ØB ^{+0.10}	COLOUR CLIP
			WIRE AREA				



NOTE:RoHS INFORMATIONS

- The "LF" products meet European union Directives and other country regulations as described in 65-22-008.
- Termination plating spec: Cu 2 +0 +2 um, Sn 3 +0 +3µm (pure matte)
- Packaging spec: see 65-14-920 contact:CuZn40 Pb3 1µNi+gold

Materials and finish for TIN LEAD

contact:CuZn40 Pb3 1µNi+gold
Solder buckets:CuZn36Pb3 2µNi+2µSnPb mini

Clip : plastic

Technical characteristics

Peak voltage: 750Veff.
Operating voltage: 500Veff.
Temperature range:-55°C ÷125°C
Packaging per 100
Current capability see table

Mechanical characteristics:

Mechanical endurance : > 200 matings/unmatings .
Contact insertion force in insulator:
60N maxi in a hole of 4.80mm

Examination of product:

Remove all burrs and sharp edges 0.08 maxi
No scratch on all pieces

European Views

www.fciconnect.com		surface ISO 1302 ✓	tolerance std ISO 406 ISO 1101	projection A3	mm
TOLERANCES UNLESS OTHERWISE SPECIFIED					
Dr	JARRY	1994/12/12	ANGULAR	0.X	±0.1
Eng	PESSON	1994/12/12	LINEAR	0.XX	±0.1
Chr	LEGARE	1994/12/12		0.XX' ±2'	0.XXX
Appr	LEGARE	1994/12/12	Product family	D-SUB	Spec ref -
rev	ecn no	dr	date	size A3 Scale 10	
D	-	BAR	2003/04/17	ECN LS08-0029	
E	LS05-005	MPE	2005/04/05	Rev. G	
F	LS06-0097	LGO	2006/07/27	dwg no C01-8638-0334-1	
G	LS08-0029	MPE	2008/01/28	sheet 1 of 1	
-	-	-	-	CUSTOMER	
-	-	-	-	title MALE POWER CONTACT FOR SOLDER CONNECTION	
-	-	-	-	catalog no -	

Copyright FCI. FCI