



Chipsmall Limited consists of a professional team with an average of over 10 year of expertise in the distribution of electronic components. Based in Hongkong, we have already established firm and mutual-benefit business relationships with customers from,Europe,America and south Asia,supplying obsolete and hard-to-find components to meet their specific needs.

With the principle of “Quality Parts,Customers Priority,Honest Operation,and Considerate Service”,our business mainly focus on the distribution of electronic components. Line cards we deal with include Microchip,ALPS,ROHM,Xilinx,Pulse,ON,Everlight and Freescale. Main products comprise IC,Modules,Potentiometer,IC Socket,Relay,Connector.Our parts cover such applications as commercial,industrial, and automotives areas.

We are looking forward to setting up business relationship with you and hope to provide you with the best service and solution. Let us make a better world for our industry!



## Contact us

Tel: +86-755-8981 8866 Fax: +86-755-8427 6832

Email & Skype: info@chipsmall.com Web: www.chipsmall.com

Address: A1208, Overseas Decoration Building, #122 Zhenhua RD., Futian, Shenzhen, China



This document is the property of and embodies CONFIDENTIAL and PROPRIETARY information of FCI. It is to be used only as disclosed to others without the written consent of FCI. Copyright FCI.



PLATING ACTIVE ZONE			CHARACTERISTICS					
500 mating/unmating Ni: 2 μm <sub>0</sub> <sup>+2 μm</sup> Au: 1.27 μm min	500 mating/unmating Cu : flash Ni P : 2 μm <sub>0</sub> <sup>+2 μm</sup> Au: 0.2 μm min (equivalent 0.8 μm Au)	200 mating/unmating Cu : flash Ni P : 2 μm <sub>0</sub> <sup>+2 μm</sup> Au: 0.15 μm min (equivalent 0.4 μm Au)	CURRENT max A	AWG WIRE	mm <sup>2</sup> AREA	∅A <sup>+0.1</sup> <sub>0</sub>	∅B±0.1	Clip colour
8638PSS4007LF	8638PSS4006LF	-----	40	8	8.35	4.40	5.50	BLUE
8638PSS2007LF	8638PSS2006LF	-----	20	12	3.31	2.80	3.65	RED
8638PSS1507LF	8638PSS1506LF	8638PSS1505LF	15	14	2.08	2.10	3.00	WHITE
8638PSS1007LF	8638PSS1006LF	-----	10	16	1.31	1.70	2.60	BLACK

**NOTE: RoHS INFORMATIONS**

- The "LF" products meet European union Directives and regulations as described in GS-22-008
- Termination plating spec: Sn pure matte
- Packaging spec: see GS-14-920

**Materials and finish**

Active zone: CuZn40 Pb3. Plating: See table  
 Termination zone (soldering sleeve): CuZn40Pb3  
 Plating 2 μm<sub>0</sub><sup>+2 μm</sup> Cu 3 μm<sub>0</sub><sup>+3 μm</sup> Tin pure matte  
 Clip : Thermoset plastic

**Technical characteristics**

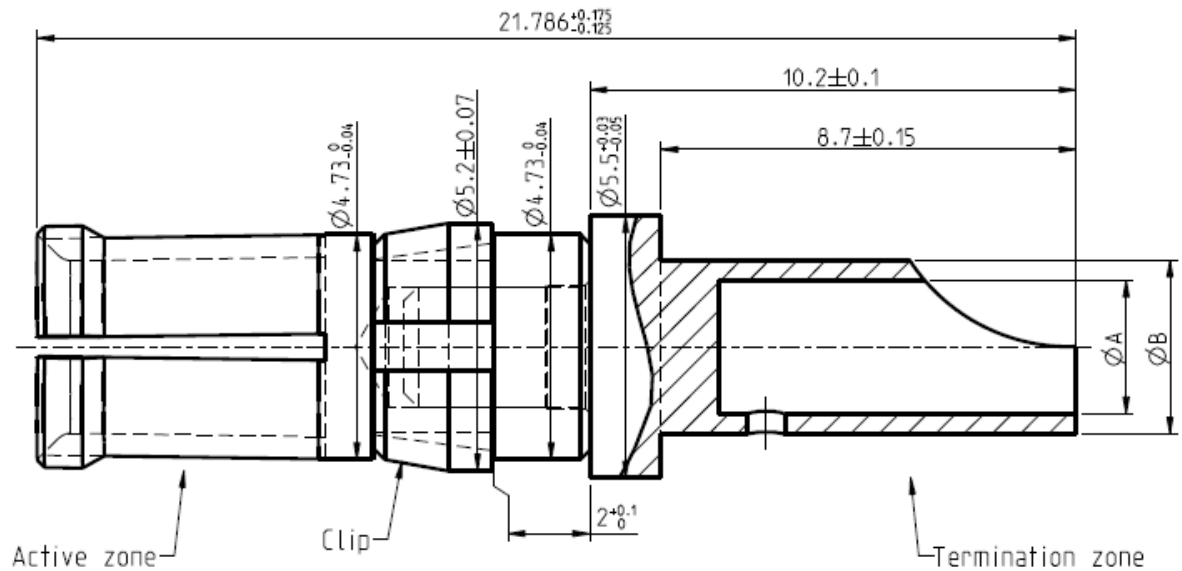
Peak voltage: 750 Veff.  
 Operating voltage: 500 Veff.  
 Temperature range -55 °C +125 °C  
 Packaged per 100  
 Current capability : see table

**Mechanical characteristics :**

Mechanical endurance: 200 or 500 matings/unmatings (see table).  
 Contact insertion force in insulator:  
 60N maxi in a hole of 4.80 mm

**Examination of product:**

Remove all burrs and sharp edges 0.08 maxi  
 No scratch allowed



Mark with		Material	SEE NOTES	Spec ref		
		Mat code	-	surface -	tolerance	projection
		Heat/treat	-	ISO 1302	ISO 405	mm
		Plating/Finish	SEE TABLE + NOTES	ISO 1101	ISO 1101	mm
		Dr	JARRY	1994/12/13	size	Scale
		Eng	JARRY	1994/12/13	A3	10:1
		Chr	LEGARE	1994/12/13	Model Name	8638PSS200XLF
		Appr	LEGARE	1994/12/13	Model Revision	1
					ECN	F10-0031
					REL Level	1
					Customer	
					Rev.	G

Rev	ecr no	dr	date
D	---	JAR	2002/02/28
C	LS05-006	MPE	2005/04/14
D	LS06-0097	LGD	2006/07/27
E	LS08-0029	MPE	2008/01/28
F	F10-0031	SPE	2010/04/12
G	F12-0834	GPE	2012/11/12

<b>FEMALE POWER CONTACT</b> FOR SOLDERED CONNECTION		DWG no <b>C01-8638-0348</b>	sheet 1 of 1
Proj/E file catalog no	Customer		