



Chipsmall Limited consists of a professional team with an average of over 10 year of expertise in the distribution of electronic components. Based in Hongkong, we have already established firm and mutual-benefit business relationships with customers from,Europe,America and south Asia,supplying obsolete and hard-to-find components to meet their specific needs.

With the principle of “Quality Parts,Customers Priority,Honest Operation,and Considerate Service”,our business mainly focus on the distribution of electronic components. Line cards we deal with include Microchip,ALPS,ROHM,Xilinx,Pulse,ON,Everlight and Freescale. Main products comprise IC,Modules,Potentiometer,IC Socket,Relay,Connector.Our parts cover such applications as commercial,industrial, and automotives areas.

We are looking forward to setting up business relationship with you and hope to provide you with the best service and solution. Let us make a better world for our industry!



Contact us

Tel: +86-755-8981 8866 Fax: +86-755-8427 6832

Email & Skype: info@chipsmall.com Web: www.chipsmall.com

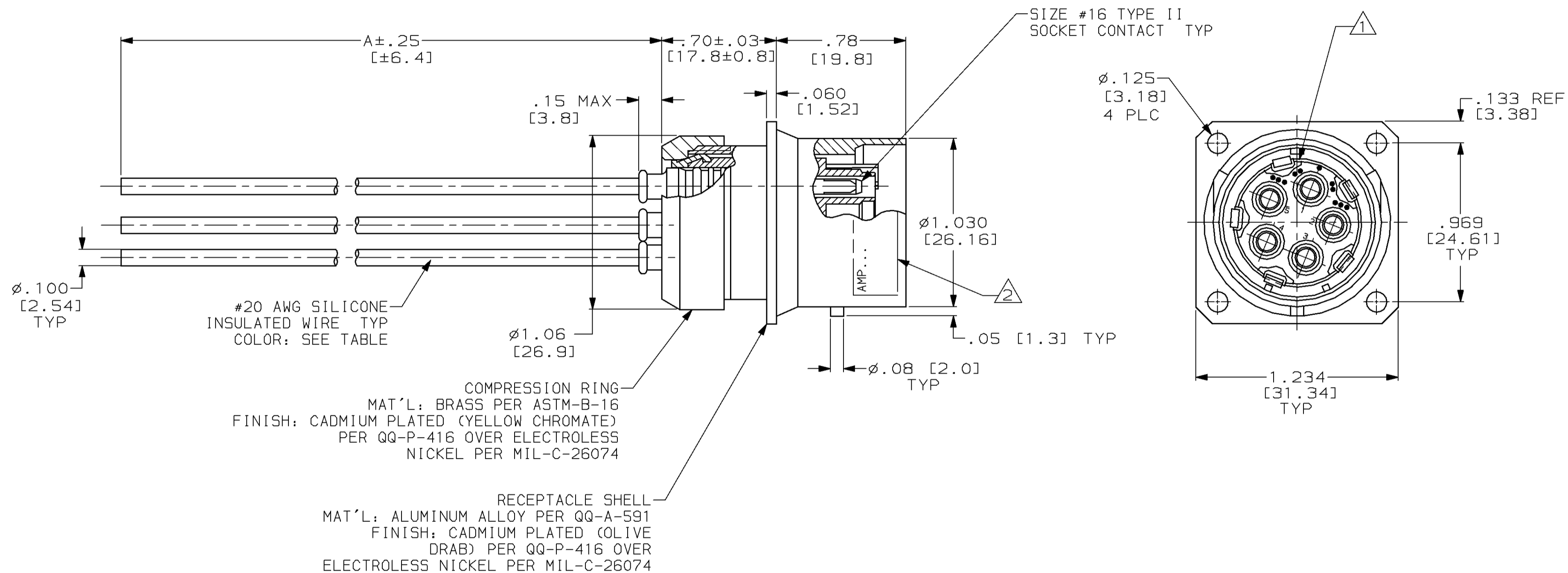
Address: A1208, Overseas Decoration Building, #122 Zhenhua RD., Futian, Shenzhen, China



THIS DRAWING IS UNPUBLISHED. RELEASED FOR PUBLICATION
 BY AMP INCORPORATED. ALL RIGHTS RESERVED.

LOC	DIST	REVISIONS			
P	LTR	DESCRIPTION	DATE	DWN	APVD
DF	SO	F	REV & REDRAWN; 0600-5878-96	11-96	CT CS

WIRING TABLE	
POSITION NO.	WIRE COLOR
1	BROWN
2	RED
3	ORANGE
4	YELLOW
5	GREEN



- 1 DOUBLE DOT FOR NORMAL POLARIZATION LOCATED UNDER MAJOR KEYWAY.
- 2 AMP INFO MARKED PER MIL-STD-130.
- 3. MAXIMUM MOUNTING PANEL THICKNESS: .100 [2.54].
- 4. WORKING VOLTAGE IS 4.5 KVDC MAX WHEN PROPERLY MATED.

OBSOLETE	6.00 [152.4]	863982-2
	24.00 [609.6]	863982-1
	DIM A	PART NO.

THIS DRAWING IS A CONTROLLED DOCUMENT.		DWN C.C. THOMAS 11-18-96	AMP Incorporated Harrisburg, PA 17105-3608															
DIMENSIONS: INCHES [mm]		CHK C. SHELLY 11-19-96	NAME CABLE ASSY, 5 POSN, LGH															
TOLERANCES UNLESS OTHERWISE SPECIFIED:		APVD C. SHELLY 11-19-96	DRAWING NO A2 00779 C-863982															
<table border="1"> <tr><td>0 PLC</td><td>±</td></tr> <tr><td>1 PLC</td><td>±</td></tr> <tr><td>2 PLC</td><td>±.02 [0.5]</td></tr> <tr><td>3 PLC</td><td>±.010 [0.25]</td></tr> <tr><td>4 PLC</td><td>±</td></tr> <tr><td>ANGLES</td><td>±</td></tr> <tr><td>FINISH</td><td>-</td></tr> </table>		0 PLC	±	1 PLC	±	2 PLC	±.02 [0.5]	3 PLC	±.010 [0.25]	4 PLC	±	ANGLES	±	FINISH	-	PRODUCT SPEC -	RESTRICTED TO -	
0 PLC	±																	
1 PLC	±																	
2 PLC	±.02 [0.5]																	
3 PLC	±.010 [0.25]																	
4 PLC	±																	
ANGLES	±																	
FINISH	-																	
MATERIAL -		APPLICATION SPEC -	SCALE 2:1	SHEET 1 OF 1														
		WEIGHT -	REV F															
		CUSTOMER DRAWING																