



Chipsmall Limited consists of a professional team with an average of over 10 year of expertise in the distribution of electronic components. Based in Hongkong, we have already established firm and mutual-benefit business relationships with customers from,Europe,America and south Asia,supplying obsolete and hard-to-find components to meet their specific needs.

With the principle of "Quality Parts,Customers Priority,Honest Operation,and Considerate Service",our business mainly focus on the distribution of electronic components. Line cards we deal with include Microchip,ALPS,ROHM,Xilinx,Pulse,ON,Everlight and Freescale. Main products comprise IC,Modules,Potentiometer,IC Socket,Relay,Connector.Our parts cover such applications as commercial,industrial, and automotives areas.

We are looking forward to setting up business relationship with you and hope to provide you with the best service and solution. Let us make a better world for our industry!



Contact us

Tel: +86-755-8981 8866 Fax: +86-755-8427 6832

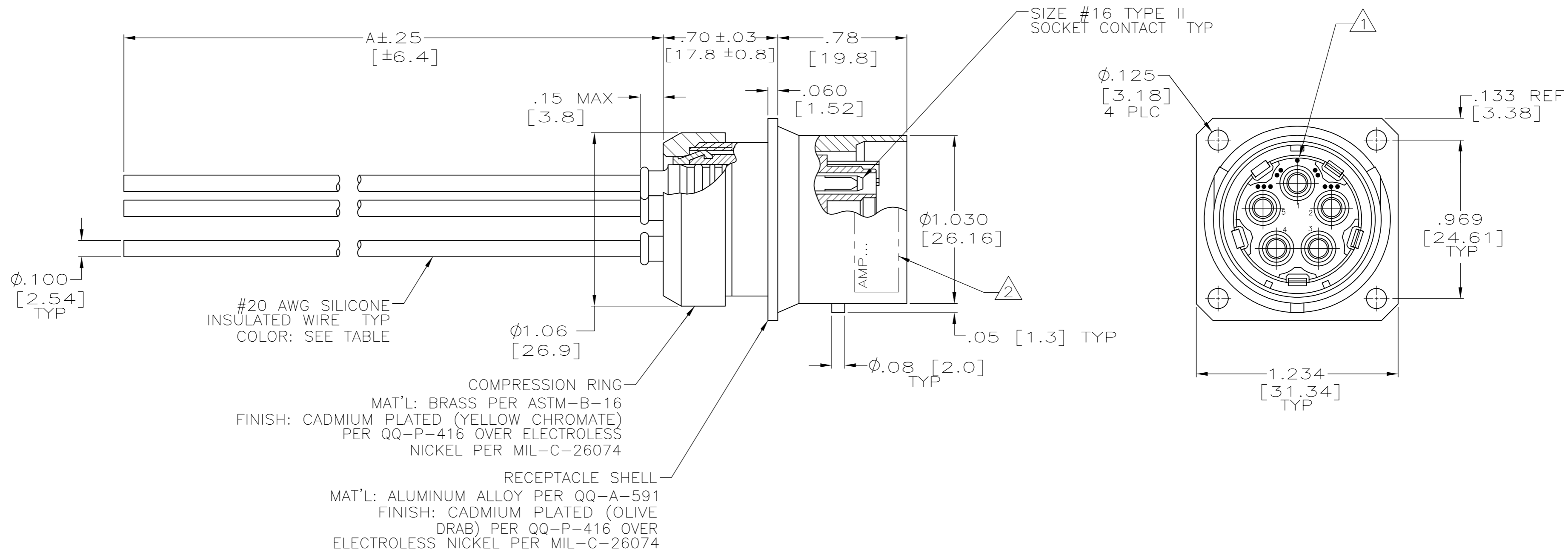
Email & Skype: info@chipsmall.com Web: www.chipsmall.com

Address: A1208, Overseas Decoration Building, #122 Zhenhua RD., Futian, Shenzhen, China



THIS DRAWING IS UNPUBLISHED.		RELEASED FOR PUBLICATION	
© COPYRIGHT BY TYCO ELECTRONICS CORPORATION. ALL RIGHTS RESERVED.			
863984-1, -2 & -3 WIRING TABLE		863984-4 WIRING TABLE	
CONTACT NO.	WIRE COLOR	CONTACT NO.	WIRE COLOR
1	BROWN	1	BROWN
2	RED	2	RED
3	ORANGE	5	ORANGE
4	YELLOW	5	YELLOW
5	GREEN	5	GREEN

LOC	DIST	REVISIONS					
DF	S0	P	LTR	DESCRIPTION	DATE	DWN	APVD
		J		REV PER ECO 08-000200	1-4-08	CT	DE



- ① SINGLE DOT FOR NORMAL POLARIZATION LOCATED UNDER MAJOR KEYWAY.
- ② TE INFO MARKED PER MIL-STD-130.
- 3. MAXIMUM MOUNTING PANEL THICKNESS: .100 [2.54].
- 4. WORKING VOLTAGE IS 4.5 KVDC MAX WHEN PROPERLY MATED.
- ⑤ ORANGE AND YELLOW LEAD ASSEMBLIES ARE BAGGED AND TAGGED SEPARATELY AND SHIPPED WITH CONNECTOR. (863984-4 ONLY.)

	12.00	863984-4
OBSOLETE	6.00	863984-3
OBSOLETE	24.00	863984-2
	12.00	863984-1
"A" DIM		PART NO.

THIS DRAWING IS A CONTROLLED DOCUMENT.		DWN	C.C.THOMAS	11-18-96	Tyco Electronics Corporation Harrisburg, PA 17105-3608
DIMENSIONS: INCHES [mm]		CHK	C.SHELLY	11-19-96	
TOLERANCES UNLESS OTHERWISE SPECIFIED:		APVD	C.SHELLY	11-19-96	
0 PLC ± - 1 PLC ± - 2 PLC ± .02 [0.5] 3 PLC ± .010 [0.25] 4 PLC ± - ANGLES ± - FINISH -		PRODUCT SPEC			
MATERIAL		APPLICATION SPEC	NAME: CABLE ASSY,5 POSN,LGH		
		WEIGHT	-	SIZE	A2
		CUSTOMER DRAWING	SCALE	CAGE CODE	00779
			SCALE	DRAWING NO	C=863984
			SCALE	RESTRICTED TO	-
			SCALE	SHEET	1 of 1
			SCALE	REV	J