



Chipsmall Limited consists of a professional team with an average of over 10 year of expertise in the distribution of electronic components. Based in Hongkong, we have already established firm and mutual-benefit business relationships with customers from,Europe,America and south Asia,supplying obsolete and hard-to-find components to meet their specific needs.

With the principle of "Quality Parts,Customers Priority,Honest Operation,and Considerate Service",our business mainly focus on the distribution of electronic components. Line cards we deal with include Microchip,ALPS,ROHM,Xilinx,Pulse,ON,Everlight and Freescale. Main products comprise IC,Modules,Potentiometer,IC Socket,Relay,Connector.Our parts cover such applications as commercial,industrial, and automotives areas.

We are looking forward to setting up business relationship with you and hope to provide you with the best service and solution. Let us make a better world for our industry!



Contact us

Tel: +86-755-8981 8866 Fax: +86-755-8427 6832

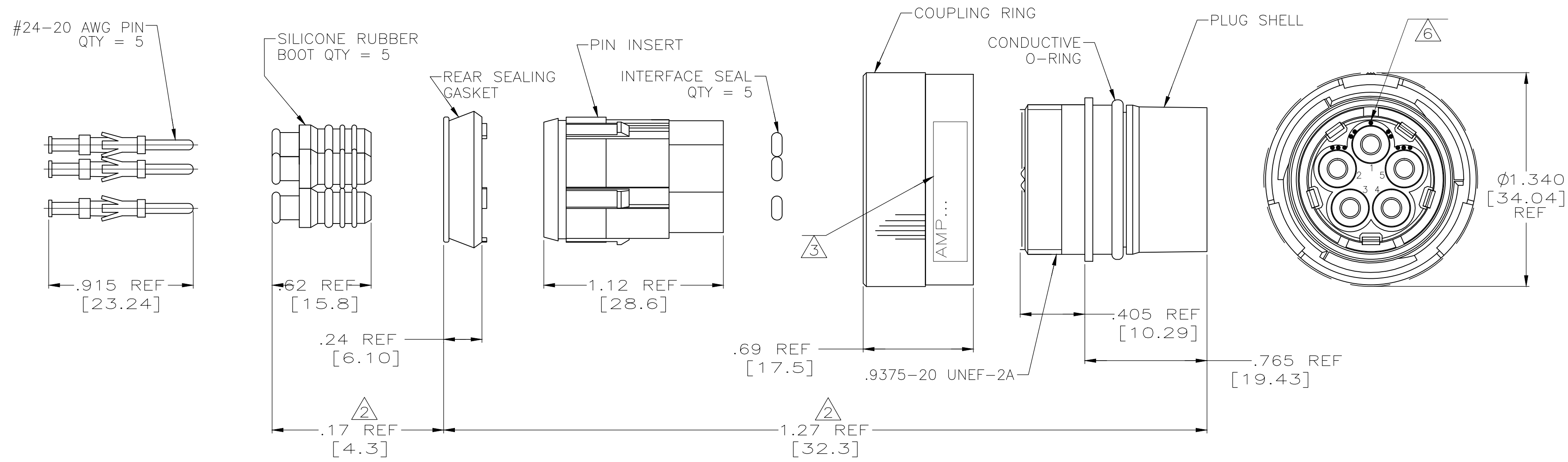
Email & Skype: info@chipsmall.com Web: www.chipsmall.com

Address: A1208, Overseas Decoration Building, #122 Zhenhua RD., Futian, Shenzhen, China



THIS DRAWING IS UNPUBLISHED. RELEASED FOR PUBLICATION
 © COPYRIGHT - By - ALL RIGHTS RESERVED.

LOC	DIST	REVISIONS					
DF	S0	P	LTR	DESCRIPTION	DATE	DWN	APVD
		K		REVISED PER ECO-14-009169	02JUL2014	MGM	CT



- THIS PLUG REQUIRES A SIZE 16 MIL-C-38999F BACKSHELL OR EQUIVALENT STRAIN RELIEF.
- THE INDICATED DIMENSIONS APPLY AFTER ASSEMBLY. COMPLETE OVERALL DIMENSIONS AFTER ASSEMBLY DEPEND UPON THE SPECIFIC BACKSHELL OR STRAIN RELIEF USED.
- MARKED PER MIL-STD-130, .060 [1.52] HIGH CHARS., WITH WHITE INK. SEE TABLE FOR SPECIAL MARKING.
-
- THE THREE OUTER COUPLING RING LATCHES ARE BONDED TO INNER HELIX RING WITH AN EPOXY BASE ADHESIVE.
- SINGLE DOT POLARIZATION SHOWN FOR REFERENCE ONLY.

OBSOLETE	(00779/AMP,864063-4)DATE CODE	49956-848285-6B REV M	864063-4
OBSOLETE	(00779/AMP,864063-3)DATE CODE	49956-848285-6A REV M	864063-3
OBSOLETE	(00779/AMP,864063-2)DATE CODE	49956-848285-6 REV M	864063-2
	(00779/AMP,864063-1)DATE CODE	-	864063-1
AMP INFO		CUSTOMER INFO	PART NO.

DIMENSIONS:		TOLERANCES UNLESS OTHERWISE SPECIFIED:		APVD		NAME					
INCHES		0 PLC	± -	DWN	C.C.THOMAS	11-19-96					
		1 PLC	± -	CHK	C.SHELLY	11-26-96					
		2 PLC	± -	APVD	-	-					
		3 PLC	± -	PRODUCT SPEC	-	-					
		4 PLC	± -	APPLICATION SPEC	-	-	SIZE	CAGE CODE	DRAWING NO	RESTRICTED TO	
		ANGLES	± -	WEIGHT	-	-	A2	00779	C-864063	-	
MATERIAL	FINISH			CUSTOMER DRAWING		SCALE	2:1	SHEET	1 OF 1	REV	K

864063