



Chipsmall Limited consists of a professional team with an average of over 10 year of expertise in the distribution of electronic components. Based in Hongkong, we have already established firm and mutual-benefit business relationships with customers from,Europe,America and south Asia,supplying obsolete and hard-to-find components to meet their specific needs.

With the principle of “Quality Parts,Customers Priority,Honest Operation,and Considerate Service”,our business mainly focus on the distribution of electronic components. Line cards we deal with include Microchip,ALPS,ROHM,Xilinx,Pulse,ON,Everlight and Freescale. Main products comprise IC,Modules,Potentiometer,IC Socket,Relay,Connector.Our parts cover such applications as commercial,industrial, and automotives areas.

We are looking forward to setting up business relationship with you and hope to provide you with the best service and solution. Let us make a better world for our industry!



## Contact us

Tel: +86-755-8981 8866 Fax: +86-755-8427 6832

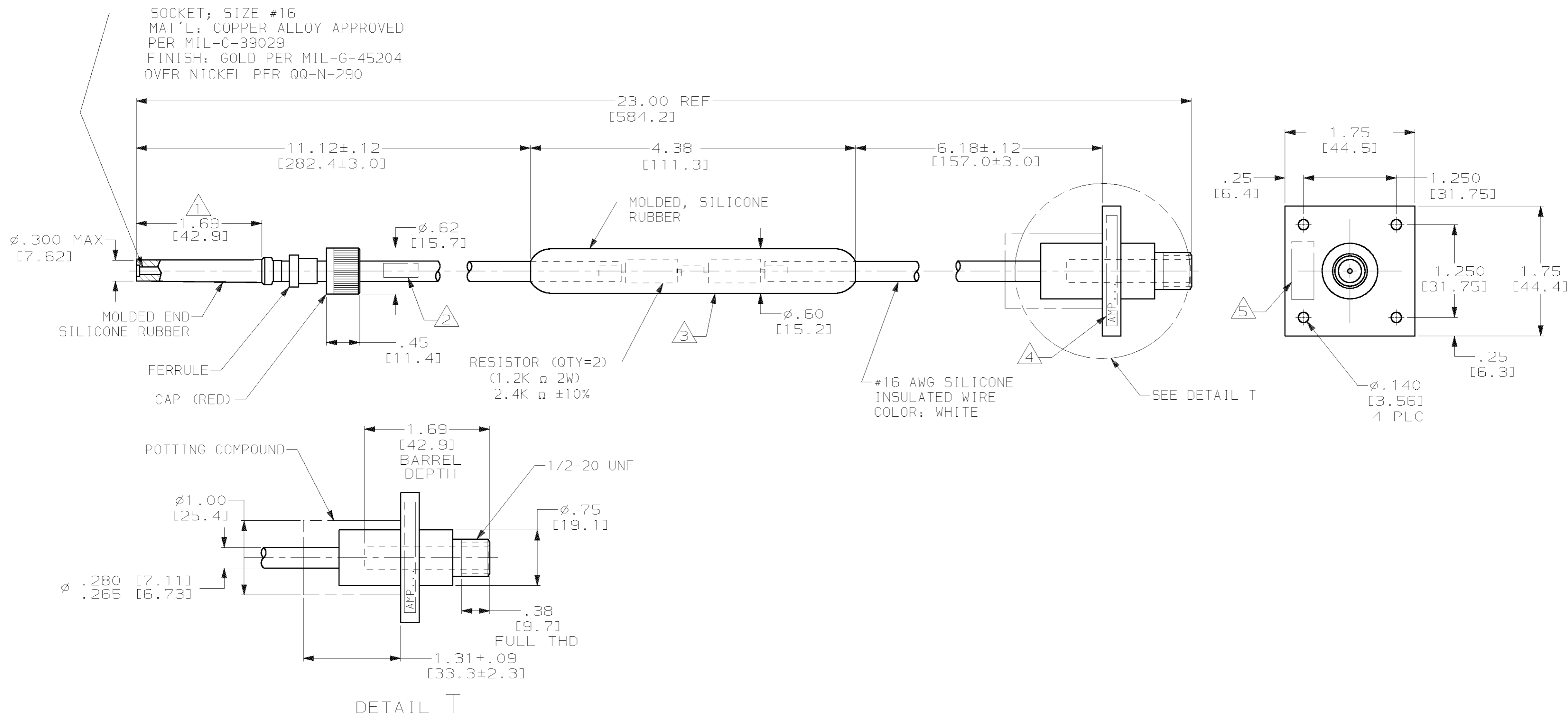
Email & Skype: info@chipsmall.com Web: www.chipsmall.com

Address: A1208, Overseas Decoration Building, #122 Zhenhua RD., Futian, Shenzhen, China



THIS DRAWING IS UNPUBLISHED. RELEASED FOR PUBLICATION .19  
 © COPYRIGHT 19 BY AMP INCORPORATED. ALL RIGHTS RESERVED.

LOC	DIST	REVISIONS			
P	LTR	DESCRIPTION	DATE	DWN	APVD
DF	50	J	REV & REDRAWN; 0600-7210-98	2-99	CT DE



- 1 TO MATE WITH AMP LGH-1L RECEPTACLE WITH 1.69 [42.9] BARREL DEPTH.
- 2 CUSTOMER MARKING (PER TABLE) IN AREA SHOWN PER MIL-STD-130.
- 3 CUSTOMER PART NO. (PER TABLE) AND DATE CODE MARKED IN THIS APPROX AREA PER MIL-STD-130.
- 4 MARKED ON FLANGE, AMP AND AMP PART NO. PER MIL-STD-130.
- 5 CUSTOMER MARKING (PER TABLE) IN AREA SHOWN PER MIL-STD-130.
- 6. PULL TEST: A 20 lb PULLING FORCE SHALL BE APPLIED BETWEEN THE LEAD WIRE AND THE MOLDED CENTER SECTION (RESISTOR MOLD).

J01 (W9-P01)	6133513-1	P01 (PS1-J02)	864203-1
CUSTOMER MARKING 5	CUSTOMER MARKING 3	CUSTOMER MARKING 2	PART NUMBER

THIS DRAWING IS A CONTROLLED DOCUMENT.		DWN C.C. THOMAS 2-11-99	AMP Incorporated Harrisburg, PA 17105-3608	
DIMENSIONS: INCHES [mm]	TOLERANCES UNLESS OTHERWISE SPECIFIED:	CHK D.EABY 2-11-99	AMP	
	0 PLC ±	APVD D.EABY 2-11-99	MOLDED END, RESISTOR LEAD ASSY, POSITIVE STOP, LGH-1L	
	1 PLC ±	PRODUCT SPEC	SIZE CAGE CODE DRAWING NO RESTRICTED TO	
	2 PLC ±.02 [0.5]	APPLICATION SPEC	A2 00779 C-864203	
MATERIAL -	FINISH -	WEIGHT -	SCALE 1:1	SHEET 1 OF 1 REV J
CUSTOMER DRAWING				