



Chipsmall Limited consists of a professional team with an average of over 10 year of expertise in the distribution of electronic components. Based in Hongkong, we have already established firm and mutual-benefit business relationships with customers from,Europe,America and south Asia,supplying obsolete and hard-to-find components to meet their specific needs.

With the principle of “Quality Parts,Customers Priority,Honest Operation,and Considerate Service”,our business mainly focus on the distribution of electronic components. Line cards we deal with include Microchip,ALPS,ROHM,Xilinx,Pulse,ON,Everlight and Freescale. Main products comprise IC,Modules,Potentiometer,IC Socket,Relay,Connector.Our parts cover such applications as commercial,industrial, and automotives areas.

We are looking forward to setting up business relationship with you and hope to provide you with the best service and solution. Let us make a better world for our industry!



Contact us

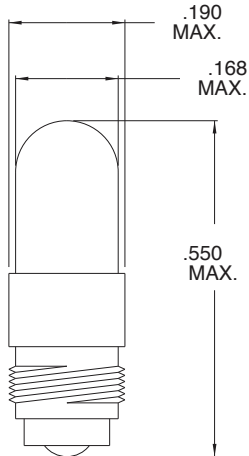
Tel: +86-755-8981 8866 Fax: +86-755-8427 6832

Email & Skype: info@chipsmall.com Web: www.chipsmall.com

Address: A1208, Overseas Decoration Building, #122 Zhenhua RD., Futian, Shenzhen, China

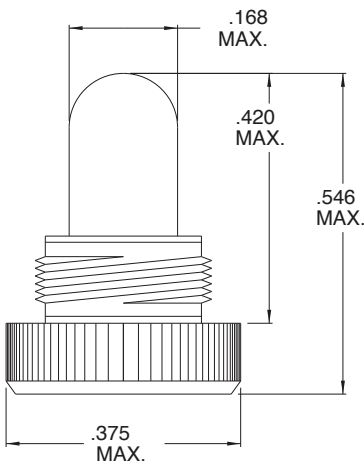


T-1 1/4 Special Screw Base



Part Number	Design Voltage	Amps	MSCP	Life Hours	Filament Type
CM7303	1.30	.030	.006	100	S-2
CM8641	1.35	.060	.006	500	C-2R
CM329	2.50	.400	.550	30	C-2R
CM325	3.00	.190	.250	350	C-2R
CM3515	5.00	.115	.150	40,000	C-2R
CM3580	5.00	.060	.030	60,000	C-2R
CM3583	5.00	.060	.050	25,000	C-2R
CM371	6.00	.060	.130	3,000	C-2R
CM8645	6.00	.200	.630	1,000	C-2R
CM8552	6.30	.200	.550	5,000	C-2R
CM8644	14.00	.080	.500	1,000	C-2F
CM8635	28.00	.050	.320	1,000	C-2F

T-1 1/4 Knurled Screw Base



Part Number	Design Voltage	Amps	MSCP	Life Hours	Filament Type
CM7301	1.30	.030	.006	100	S-2
CM8647	1.35	.060	.006	500	C-2R
CM326	2.50	.400	.550	30	C-2R
CM323	3.00	.190	.250	350	C-2R
CM3516	5.00	.115	.150	40,000	C-2R
CM3581	5.00	.060	.030	60,000	C-2R
CM3584	5.00	.060	.050	25,000	C-2R
CM8543	6.00	.060	.130	3,000	C-2R
CM8639	6.00	.200	.630	1,000	C-2R
CM8553	6.30	.200	.550	5,000	C-2R
CM8654	14.00	.080	.500	1,000	C-2F
CM8623	28.00	.040	.320	1,000	C-2F