



Chipsmall Limited consists of a professional team with an average of over 10 year of expertise in the distribution of electronic components. Based in Hongkong, we have already established firm and mutual-benefit business relationships with customers from,Europe,America and south Asia,supplying obsolete and hard-to-find components to meet their specific needs.

With the principle of "Quality Parts,Customers Priority,Honest Operation,and Considerate Service",our business mainly focus on the distribution of electronic components. Line cards we deal with include Microchip,ALPS,ROHM,Xilinx,Pulse,ON,Everlight and Freescale. Main products comprise IC,Modules,Potentiometer,IC Socket,Relay,Connector.Our parts cover such applications as commercial,industrial, and automotives areas.

We are looking forward to setting up business relationship with you and hope to provide you with the best service and solution. Let us make a better world for our industry!



## Contact us

Tel: +86-755-8981 8866 Fax: +86-755-8427 6832

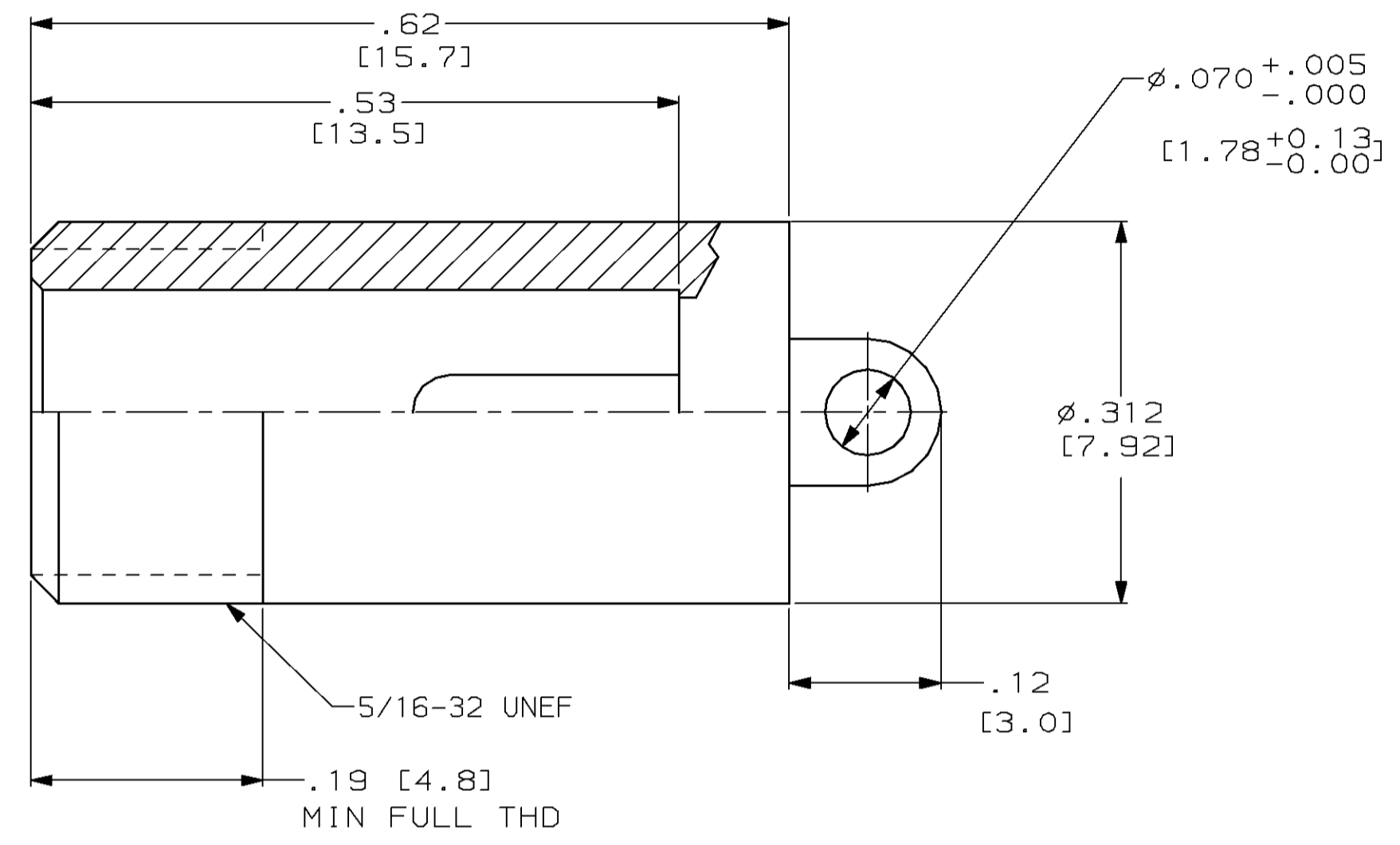
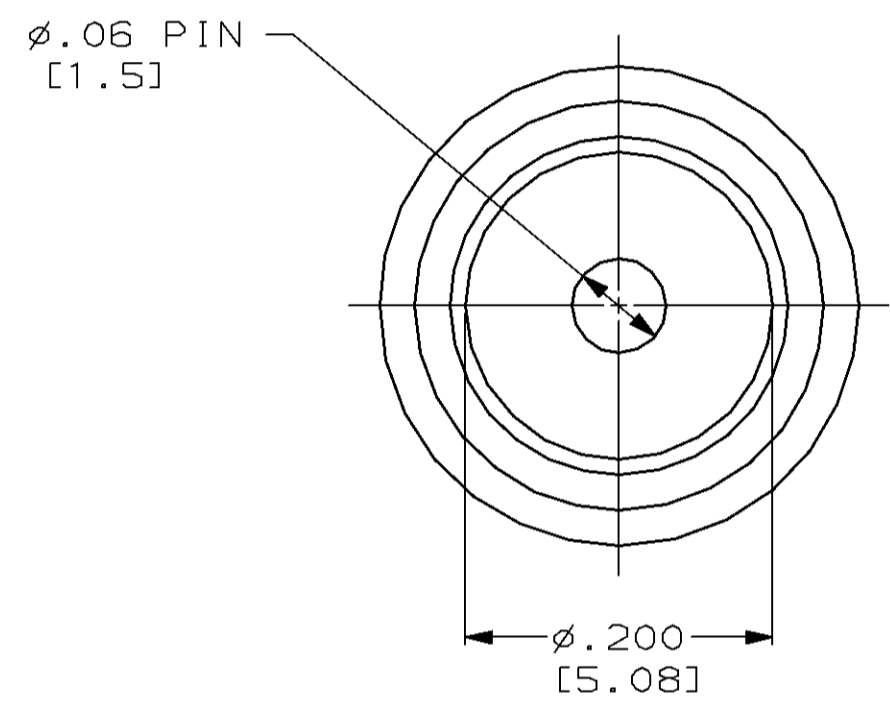
Email & Skype: info@chipsmall.com Web: www.chipsmall.com

Address: A1208, Overseas Decoration Building, #122 Zhenhua RD., Futian, Shenzhen, China



THIS DRAWING IS UNPUBLISHED. RELEASED FOR PUBLICATION, 19 .  
 © COPYRIGHT 19 BY AMP INCORPORATED. ALL INTERNATIONAL RIGHTS RESERVED.

PROD CODE	LOC	DIST	P	F	ZONE	LTR	DESCRIPTION	DATE	APPD
4087	DF	SO				C	REV & REDRAWN; 0600-5601-96 CT	8-96	SG



1. RECEPTACLE TO MATE WITH AMP LGH-1/2 LEAD ASSY.
2. MARKED PER MIL-STD-130.
3. 100% SCREENING INSPECTION IS REQUIRED:
  - A. VISUAL
  - B. MECHANICAL
  - C. INSULATION RESISTANCE: 10 GIGA OHMS (MIN) @ 300 VDC
  - D. DIELECTRIC WITHSTANDING VOLTAGE: 15 KVDC FOR 3 MIN.
  - E. SUPPLY DATA

4	.000150 MIN TIN [0.00381]	864522-1
REMARKS	TERMINAL PLATING	PART NO.

DO NOT SCALE PRINT. UNLESS SPECIFIED DIMENSIONS IN INCHES [mm] TOLERANCES ON : 2 PLC DEC ± .02 [0.5] 3 PLC DEC ± .005 [0.13] ANGLES ± -	DR 8-27-96 C.C. THOMAS	AMP Incorporated Harrisburg, PA 17105-3608		
	CHK 9-10-96 S. GLATFELTER			NAME
MATERIAL EPOXY MLDG. CMPD.	APPD 9-10-96 S. GLATFELTER	RECEPTACLE, LGH-1/2		
COLOR BLACK	RLSE 9-10-96 C.C. THOMAS			
	PRODUCT SPEC -	SIZE C	CAGE CODE 00779	DRAWING NO G=864522
	APPLICATION SPEC -	SCALE 8:1	SHEET 1 OF 1	
	WEIGHT -			

THIS DRAWING IS A CONTROLLED DOCUMENT FOR AMP INCORPORATED. IT IS SUBJECT TO CHANGE AND THE CONTROLLING ENGINEERING ORGANIZATION SHOULD BE CONTACTED FOR THE LATEST REVISION.