



Chipsmall Limited consists of a professional team with an average of over 10 year of expertise in the distribution of electronic components. Based in Hongkong, we have already established firm and mutual-benefit business relationships with customers from,Europe,America and south Asia,supplying obsolete and hard-to-find components to meet their specific needs.

With the principle of “Quality Parts,Customers Priority,Honest Operation,and Considerate Service”,our business mainly focus on the distribution of electronic components. Line cards we deal with include Microchip,ALPS,ROHM,Xilinx,Pulse,ON,Everlight and Freescale. Main products comprise IC,Modules,Potentiometer,IC Socket,Relay,Connector.Our parts cover such applications as commercial,industrial, and automotives areas.

We are looking forward to setting up business relationship with you and hope to provide you with the best service and solution. Let us make a better world for our industry!



Contact us

Tel: +86-755-8981 8866 Fax: +86-755-8427 6832

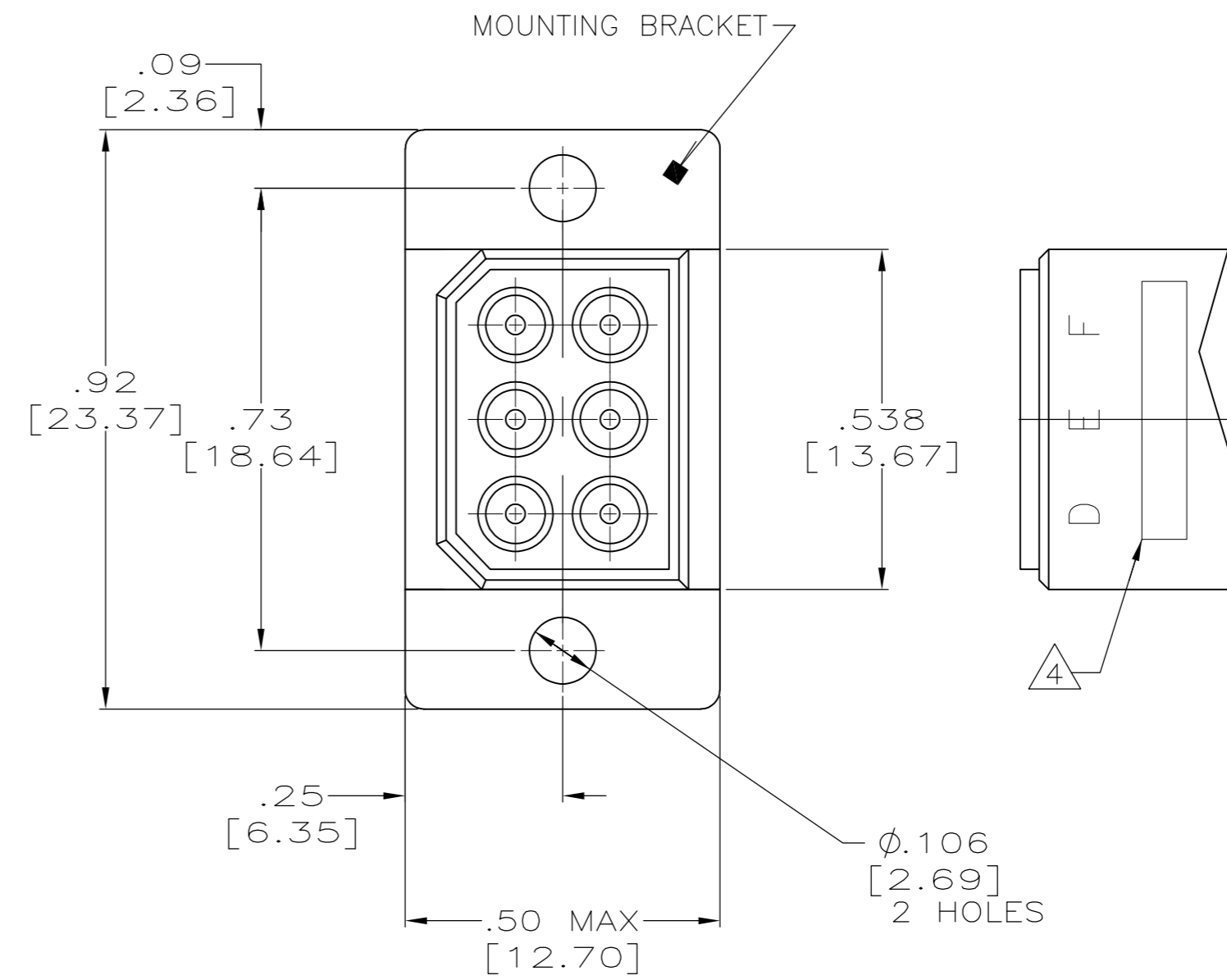
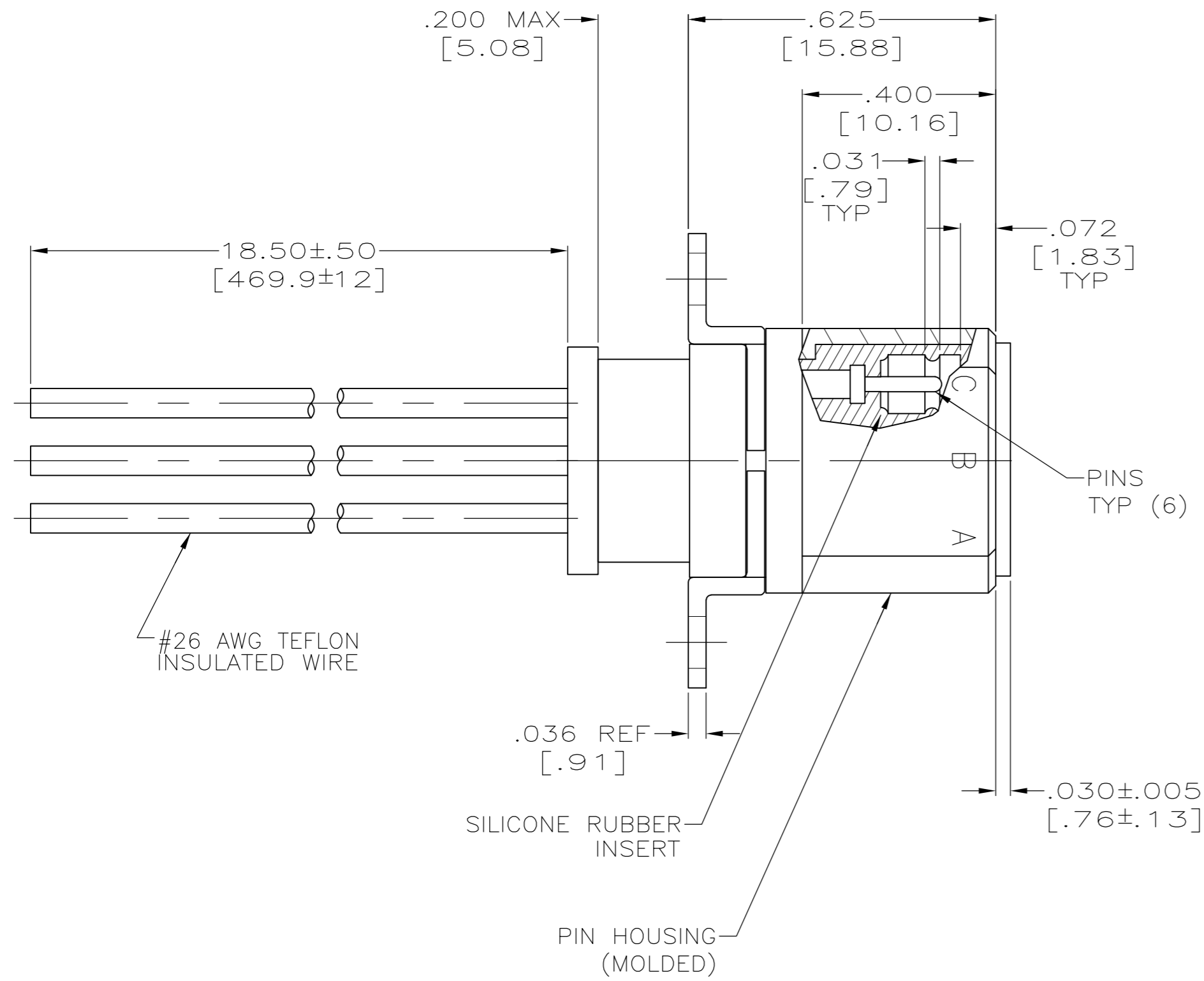
Email & Skype: info@chipsmall.com Web: www.chipsmall.com

Address: A1208, Overseas Decoration Building, #122 Zhenhua RD., Futian, Shenzhen, China



THIS DRAWING IS UNPUBLISHED. RELEASED FOR PUBLICATION
 © COPYRIGHT - By - ALL RIGHTS RESERVED.

REVISIONS				
P	LTR	DESCRIPTION	DATE	APVD
F		REV PER ECO-16-000478	09FEB16	KG DM



- PINS: MATL; LEADED COMERCIAL BRONZE PER ASTM B 140 PER MIL-G-45204, TYPE II (.000030 [.00076] MIN GOLD OVER .000030 [.00076] MIN NICKEL PER QQ-N-290).
- MOLDED PART: FLAME RETARDANT GLASS FILLED THERMOPLASTIC POLYESTER.
- CAVITY LETTERS MARKED.
- MARKED PER MIL-STD-130 IN THIS AREA.
- 100% SCREENING INSPECTION IS REQUIRED:
 - VISUAL
 - MECHANICAL
 - INSULATION RESISTANCE; 10 GIGHOMS (MIN) AT 500 VDC
 - VOLTAGE RATING: 5 KVDC
 - SUPPLY DATA: AMP FORM 3032
 - DIELECTRIC WITHSTANDING VOLTAGE (S.L.) 10 KVDC, 10 SEC.

THIS DRAWING IS A CONTROLLED DOCUMENT.		DWN T. THOMPSON 01-17-95																							
DIMENSIONS: INCHES		CHK D. EABY 01-23-95																							
TOLERANCES UNLESS OTHERWISE SPECIFIED:		APVD D. EABY 01-23-95	NAME 6 PIN PLUG ASSY WITH FLANGE LGH																						
<table border="1"> <tr><td>0 PLC</td><td>±</td><td>-</td></tr> <tr><td>1 PLC</td><td>±</td><td>-</td></tr> <tr><td>2 PLC</td><td>±</td><td>.010</td></tr> <tr><td>3 PLC</td><td>±</td><td>.005</td></tr> <tr><td>4 PLC</td><td>±</td><td>-</td></tr> <tr><td>ANGLES</td><td>±</td><td>-</td></tr> <tr><td>FINISH</td><td>-</td><td>-</td></tr> </table>		0 PLC	±	-	1 PLC	±	-	2 PLC	±	.010	3 PLC	±	.005	4 PLC	±	-	ANGLES	±	-	FINISH	-	-	PRODUCT SPEC -	SIZE A2	CAGE CODE 00779
0 PLC	±	-																							
1 PLC	±	-																							
2 PLC	±	.010																							
3 PLC	±	.005																							
4 PLC	±	-																							
ANGLES	±	-																							
FINISH	-	-																							
MATERIAL		APPLICATION SPEC -	DRAWING NO C=864523	RESTRICTED TO -																					
		WEIGHT 0	SCALE 4:1	SHEET 1 OF 1																					
		CUSTOMER DRAWING	REV F																						