



Chipsmall Limited consists of a professional team with an average of over 10 year of expertise in the distribution of electronic components. Based in Hongkong, we have already established firm and mutual-benefit business relationships with customers from,Europe,America and south Asia,supplying obsolete and hard-to-find components to meet their specific needs.

With the principle of “Quality Parts,Customers Priority,Honest Operation,and Considerate Service”,our business mainly focus on the distribution of electronic components. Line cards we deal with include Microchip,ALPS,ROHM,Xilinx,Pulse,ON,Everlight and Freescale. Main products comprise IC,Modules,Potentiometer,IC Socket,Relay,Connector.Our parts cover such applications as commercial,industrial, and automotives areas.

We are looking forward to setting up business relationship with you and hope to provide you with the best service and solution. Let us make a better world for our industry!



Contact us

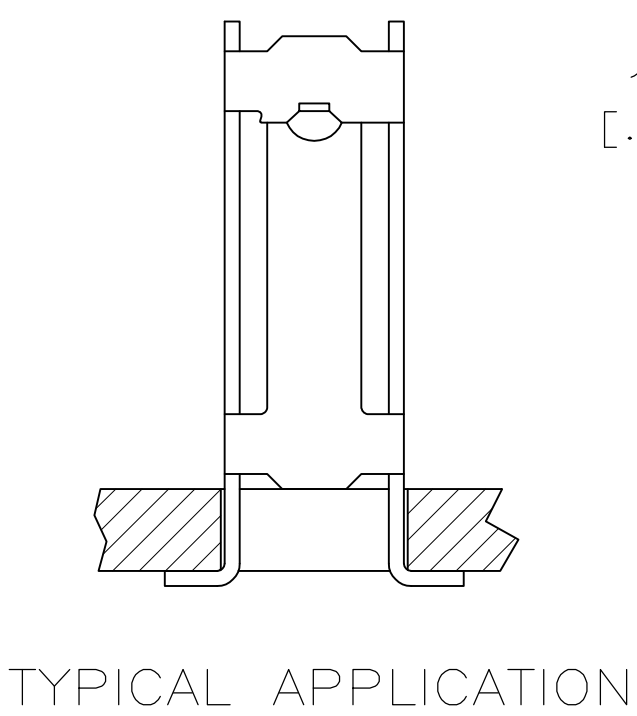
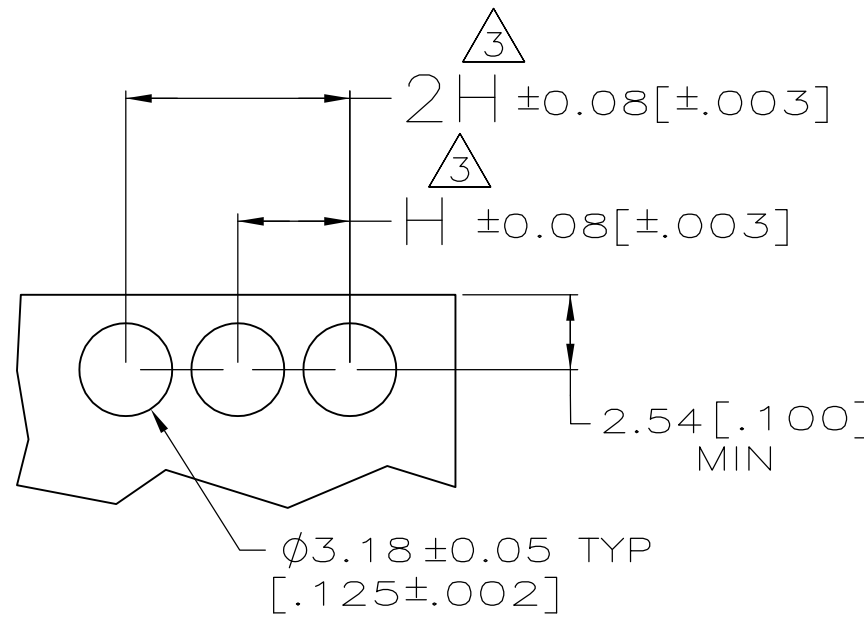
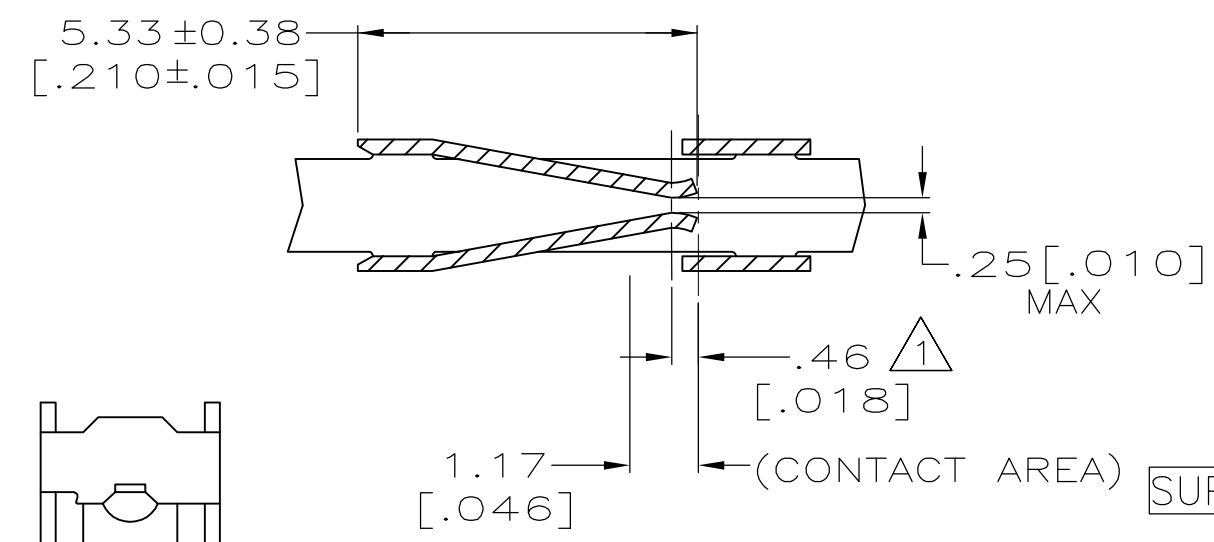
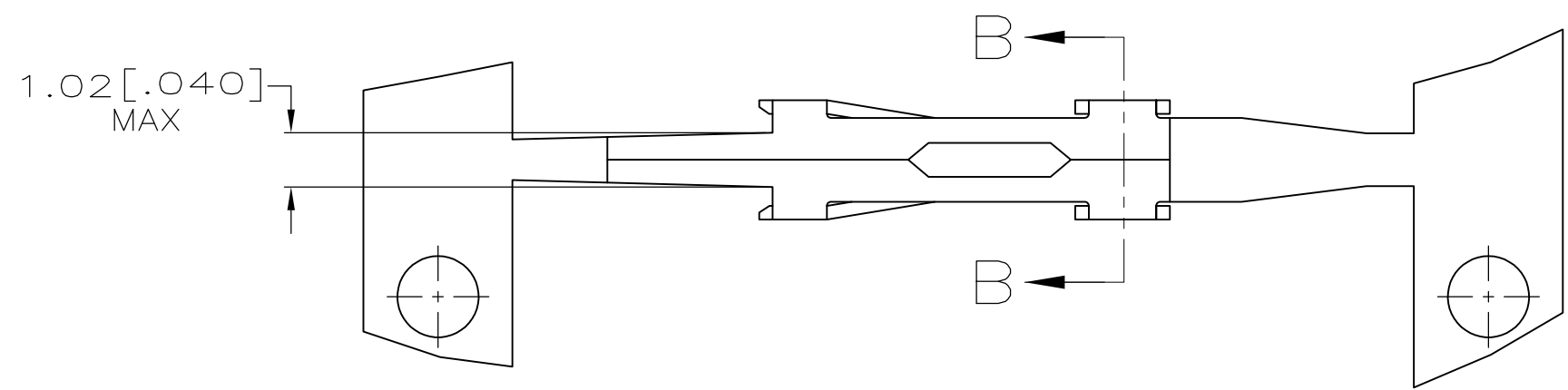
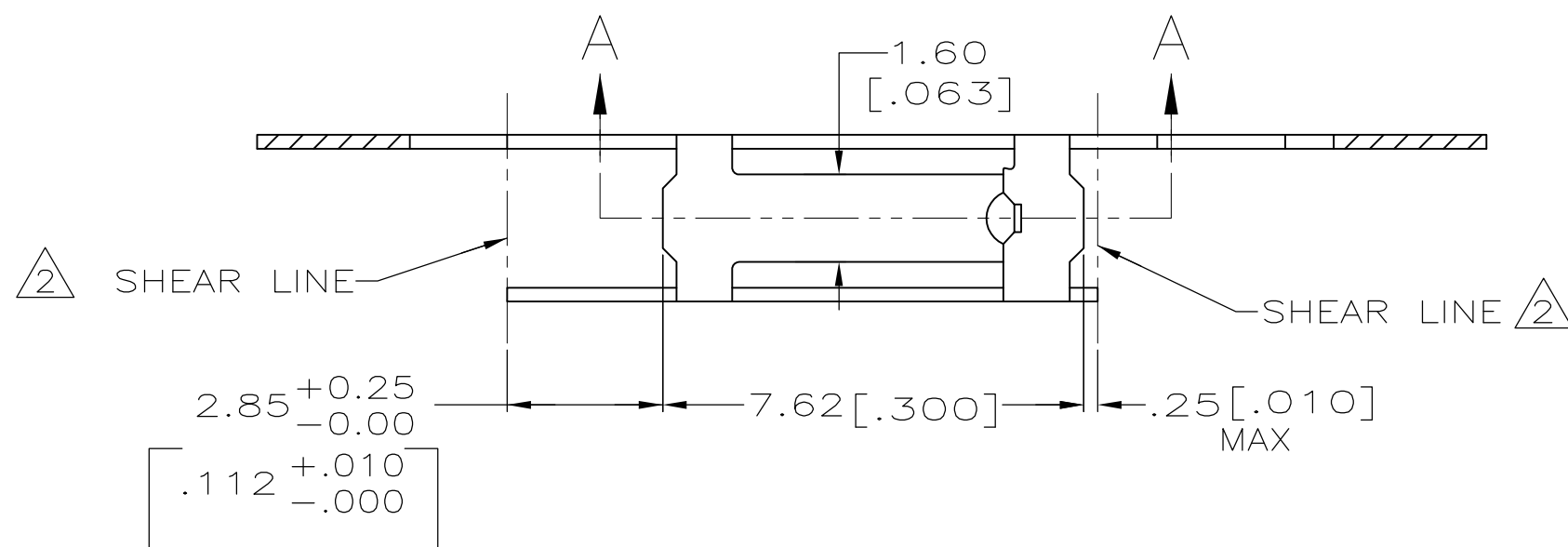
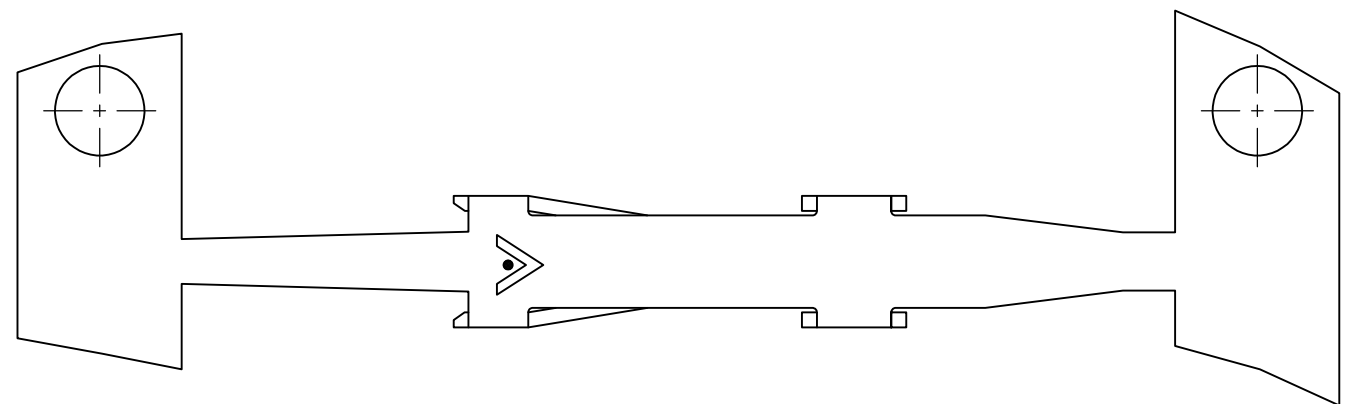
Tel: +86-755-8981 8866 Fax: +86-755-8427 6832

Email & Skype: info@chipsmall.com Web: www.chipsmall.com

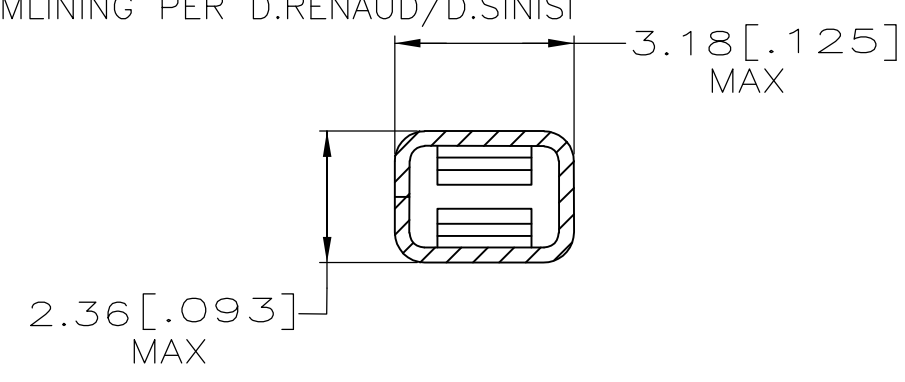
Address: A1208, Overseas Decoration Building, #122 Zhenhua RD., Futian, Shenzhen, China



LOC	DIST	P	F	ZONE	LTR	DESCRIPTION	DATE	APPD
AD	39				F	REV PER 0010-1175-95	12-28-96	JH
					G	REV PER 0G21-0081-98	18JUL98	MC
					H	REV PER 0G3C-0062-00	11FEB00	MZ
					H1	REV PER ECO-09-021826	05JAN10	AEG



- 1 POINT OF MEASUREMENT FOR PLATING THICKNESS (INSIDE BEAMS).
- 2 SHEAR LINES DEFINE LOOSE PIECE PART.
- 3 "H" RECEPTACLE CENTERS MAY VARY DEPENDING ON REQUIREMENTS. MINIMUM NOMINAL CENTER SPACING BETWEEN ADJACENT RECEPTACLES IS 3.81±0.08[.150±.003].
- 4 GOLD FLASH OVER 0.00127[.000050] NICKEL ENTIRE TERMINAL, 0.00038[.000015] GOLD ON CONTACT AREA ONLY.
- 5 GOLD FLASH OVER 0.00127[.000050] NICKEL ENTIRE TERMINAL, 0.00076[.000030] GOLD ON CONTACT AREA ONLY.
- 6 0.00127[.000050] GOLD OVER 0.00127[.000050] NICKEL ENTIRE TERMINAL.
- 7 0.00076[.000030] GOLD OVER 0.00127[.000050] NICKEL ENTIRE TERMINAL.
- 8 0.00038[.000015] GOLD ON CONTACT AREA, 0.00254-0.00508[.000100-.000200] BRIGHT TIN-LEAD ON TERMINATION AREA, ALL OVER 0.00127[.000050] NICKEL ENTIRE TERMINAL.
- 9 0.00076[.000030] GOLD ON CONTACT AREA, 0.00254-0.00508[.000100-.000200] BRIGHT TIN-LEAD ON TERMINATION AREA, ALL OVER 0.00127[.000050] NICKEL ENTIRE TERMINAL.
- 10 0.00200 [.000079] MIN TIN.
- 11 OBSOLETE PARTS: OBSOLETE CIS STREAMLINING PER D.RENAUD/D.SINISI
- 12 OBSOLETE



	MINIATURE			
		-	10	1-86477-1
OBSOLETE	MINIATURE	86480-7	9	1-86477-0
OBSOLETE	MINIATURE	86480-6	8	86477-9
OBSOLETE	MINIATURE	86480-5	7	86477-8
		-	-	-
OBSOLETE	MINIATURE	86480-4	6	86477-6
		-	-	-
	MINIATURE	86480-3	10	86477-3
	MINIATURE	86480-2	5	86477-2
	MINIATURE	86480-1	4	86477-1
	REELED FOR APPLICATOR	LOOSE PIECE PART NO	FINISH	PART NUMBER

DO NOT SCALE PRINT. UNLESS SPECIFIED DIMENSIONS IN mm [INCHES] TOLERANCES ON : 2 PLC DEC ± - 3 PLC DEC ± 0.13[.005] ANGLES ± -		DR 12-28-96 E.BRANDBERG CHK 12-28-96 J. HERRINGTON APPD 12-28-96 J. HERRINGTON APPD 12-28-96 D. TROUT		AMP AMP Incorporated Harrisburg, PA 17105-3608	
MATERIAL PHOS BRONZE		PRODUCT SPEC -		NAME RECEPTACLE, MOD I STANDARD PRESSURE, TYPE A	
FINISH SEE TABLE		APPLICATION SPEC -		SIZE C	CAGE CODE 00779
WEIGHT -		SCALE 8:1		DRAWING NO C-86477	
				SHEET 1 OF 1	

THIS DRAWING IS A CONTROLLED DOCUMENT FOR AMP INCORPORATED. IT IS SUBJECT TO CHANGE AND THE CONTROLLING ENGINEERING ORGANIZATION SHOULD BE CONTACTED FOR THE LATEST REVISION.