



Chipsmall Limited consists of a professional team with an average of over 10 year of expertise in the distribution of electronic components. Based in Hongkong, we have already established firm and mutual-benefit business relationships with customers from,Europe,America and south Asia,supplying obsolete and hard-to-find components to meet their specific needs.

With the principle of "Quality Parts,Customers Priority,Honest Operation,and Considerate Service",our business mainly focus on the distribution of electronic components. Line cards we deal with include Microchip,ALPS,ROHM,Xilinx,Pulse,ON,Everlight and Freescale. Main products comprise IC,Modules,Potentiometer,IC Socket,Relay,Connector.Our parts cover such applications as commercial,industrial, and automotives areas.

We are looking forward to setting up business relationship with you and hope to provide you with the best service and solution. Let us make a better world for our industry!



## Contact us

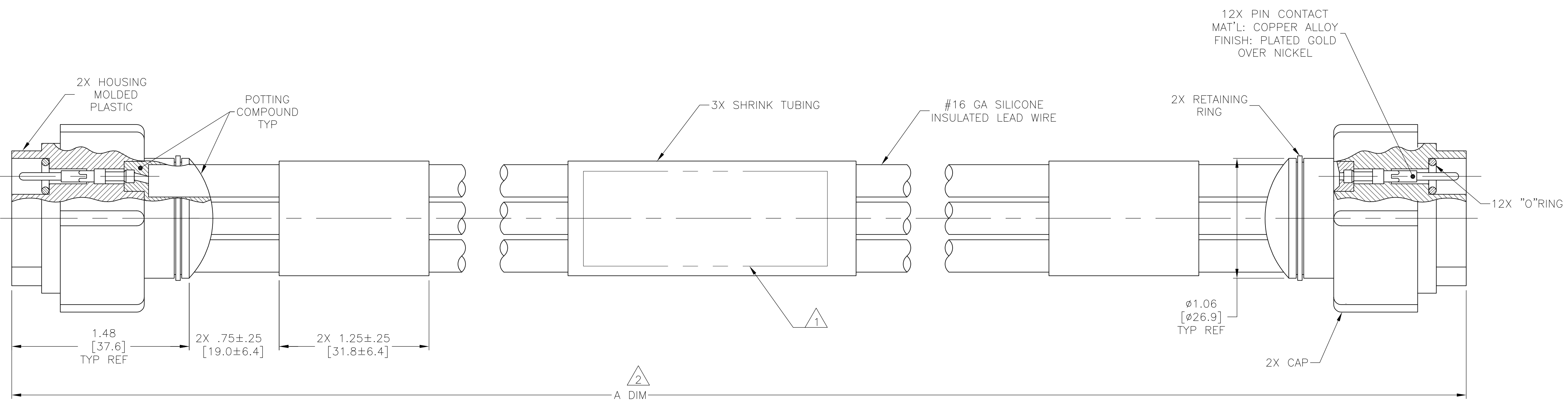
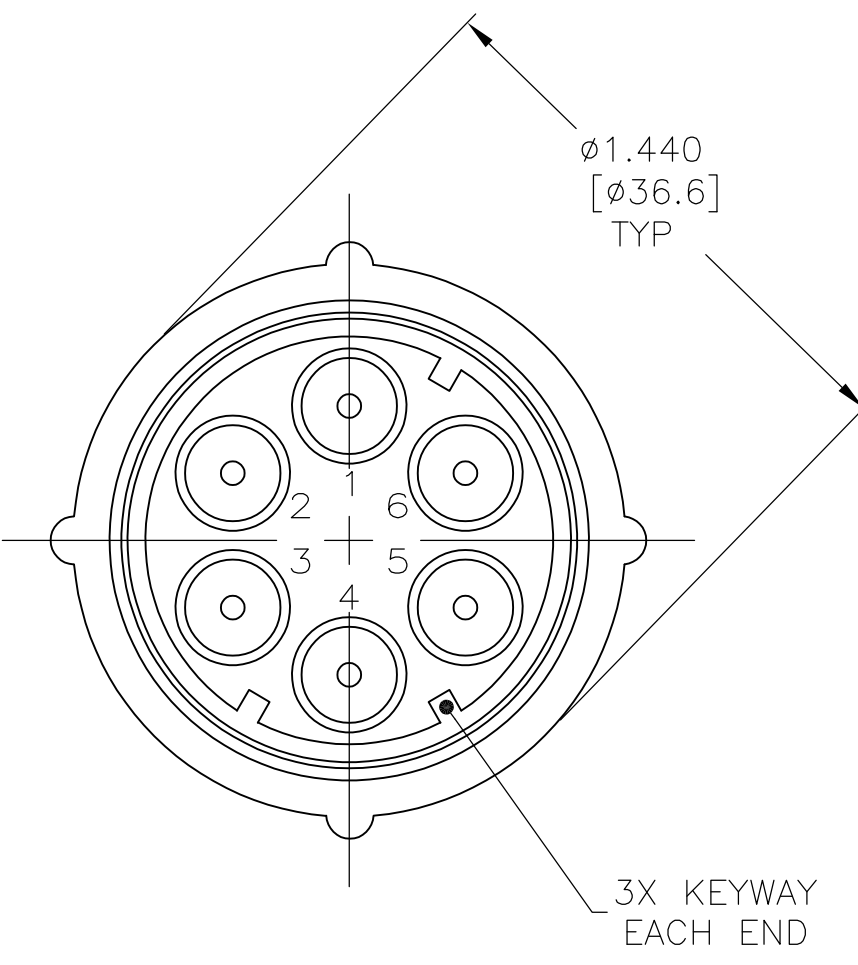
Tel: +86-755-8981 8866 Fax: +86-755-8427 6832

Email & Skype: info@chipsmall.com Web: www.chipsmall.com

Address: A1208, Overseas Decoration Building, #122 Zhenhua RD., Futian, Shenzhen, China



LOC		DIST		REVISIONS			
P	LTR	DESCRIPTION	DATE	DWN	APVD		
E		ECO-13-006256	16APR13	KG	DE		



P1		P2
1	BROWN	1
2	WHITE WITH YELLOW STRIPE <sup>3</sup>	2
3	GREEN	3
4	RED	4
5	BLACK	5
6	WHITE	6

- 1 MARKED PER MIL-STD-130
- 2 TOLERANCE: UP TO 24.00[609.6]=±12.00[±3.0], 24.00[609.6] & UP = ±1%
- 3 YELLOW WIRE IS WHITE WITH YELLOW STRIPE.

SCHEMATIC

26.00 [660.4]	864954-4
158.0 [4013.2]	864954-3
20.00 [508.0]	864954-2
21.00 [533.4]	864954-1
DIM A <sup>2</sup>	PART NO.

THIS DRAWING IS A CONTROLLED DOCUMENT. DIMENSIONING AND TOLERANCING PER ASME Y14.5M (ISO STANDARDS).		DIN C.C.THOMAS 9/14/98	TE Connectivity	
DIMENSIONS: INCHES [mm]		CHK D.FABRY 9/17/98	APVD D.FABRY 9/17/98	
TOLERANCES UNLESS OTHERWISE SPECIFIED:		NAME PLUG CABLE ASSY, DBL. END, 6 POSN., LGH		
0 PLC ± -	1 PLC ± -	PRODUCT SPEC		
2 PLC ± .02 [0.5]	3 PLC ± .005 [0.13]	APPLICATION SPEC		
4 PLC ± -	ANGLES ± -	SIZE A1	CAGE CODE 00779	DRAWING NO. 864954
MATERIAL SEE CALLOUTS	FINISH SEE CALLOUTS	WEIGHT -	RESTRICTED TO	
CUSTOMER DRAWING		SCALE 2:1	SHEET 1 OF 1	REV E