



Chipsmall Limited consists of a professional team with an average of over 10 year of expertise in the distribution of electronic components. Based in Hongkong, we have already established firm and mutual-benefit business relationships with customers from,Europe,America and south Asia,supplying obsolete and hard-to-find components to meet their specific needs.

With the principle of “Quality Parts,Customers Priority,Honest Operation,and Considerate Service”,our business mainly focus on the distribution of electronic components. Line cards we deal with include Microchip,ALPS,ROHM,Xilinx,Pulse,ON,Everlight and Freescale. Main products comprise IC,Modules,Potentiometer,IC Socket,Relay,Connector.Our parts cover such applications as commercial,industrial, and automotives areas.

We are looking forward to setting up business relationship with you and hope to provide you with the best service and solution. Let us make a better world for our industry!



Contact us

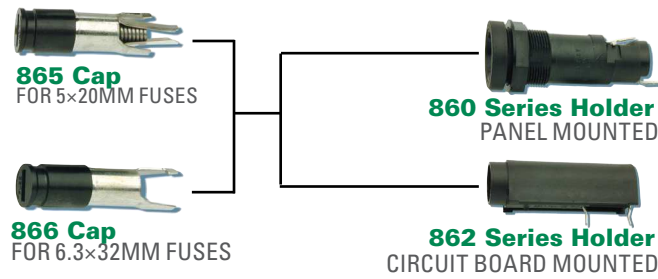
Tel: +86-755-8981 8866 Fax: +86-755-8427 6832

Email & Skype: info@chipsmall.com Web: www.chipsmall.com



Address: A1208, Overseas Decoration Building, #122 Zhenhua RD., Futian, Shenzhen, China



860/862 Series Enclosed Fuse Holders for 5x20mm and 6.2x32mm Fuses



Agency Approval

Agency	Agency File Number	
	860 Series	862 Series
	40003287	136720 UG
	E70164	E70164

Additional Information



Datasheet
860 Series



Datasheet
862 Series



Resources
860 Series



Resources
862 Series



Samples
860 Series



Samples
862 Series

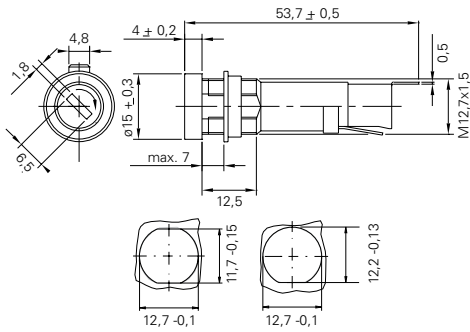
Product Characteristics

	860 Series	862 Series
Compatible Fuses	5x20mm 6.3x32mm	
Materials	Holder/Cap: Black Thermoplastic, UL 94V0	
	Metal Parts: Copper alloy, corrosion protected	
	Terminals: Solderable tinned	
Electrical Data (23°C)	Rated Voltage: 250V	
	Rated Current: 10A (VDE) 16A (CSA) 20A (UL)	Rated Current: 10A (VDE) 16A (UL/CSA)
	Rated Power: 4.0W (VDE)	Rated Power: 862/865: 2.5W (VDE) 862/866: 3.2W (VDE)
Mounting	12.7mm diameter D-hole or double D-hole Admissible torque on plastic hex nut is 1.2Nm	(2) Solder pins 0.5mmx1.1mm and plastic stud Pins are kicked for optimal soldering
Terminals	Solderable or 4.8mm quick connect-fits 0.5mm tab	Solderable tinned
Protection Class & Category	IP 40 (IEC 60529) PC2 (IEC 60127-6)	IP 40 (IEC 60529) PC2 (IEC 60127-6)
Operating Temperature	-40°C to +85°C	
Climatic Test	-40°C/+85°C/21 days (IEC 60068-2-1...3)	
Stock Conditions	+10°C to +60°C relative humidity ≤ 75% yearly average, without dew, maximum value for 30 days - 95%	
Vibration Resistance	24 cycles at 15 min. each (IEC 60068-2-6) 10 - 60Hz at 0.75mm amplitude 60 - 500Hz at 10g acceleration	
Contact Resistance	≤ 5mΩ	
Impulse Voltage	4 kV, 50Hz, 1 min., dry	
Insulation Resistance	> 10 ⁹ MΩ (500VDC, 1 min.)	
Solderability	235°C, 2 sec. (Wave) 350°C, 1 sec. (Soldering Iron)	
Soldering Heat Resistance	350°C, 5 sec. (IEC 60068-2-20)	
Minimum Cross Section	Conductor - 2.5mm ²	Conducting path - 0.2mm ²
Marking	860, 250V, Approvals	862, 250V, Approvals
Unit Weight	5.3g (860) / 5.6g (862) / 3.3g (865) / 2.5g (866)	

Dimensions

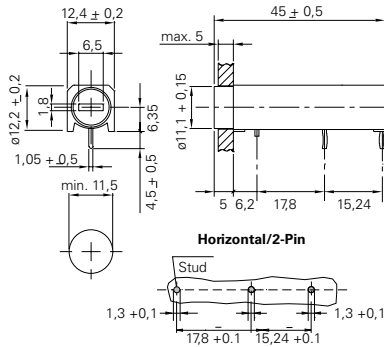
Panel Mount, Shocksafe 5x20mm/ 6.3x32mm Fuses

860 Series



Panel Alternatives

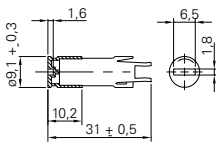
862 Series



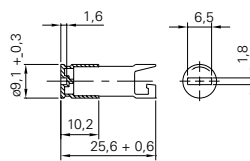
Horizontal/2-Pin

Holes in the printed circuit board: $1,3 \pm 0,1$

865 Cap



866 Cap



Ordering Information

Description	Ordering Number	Packaging
Cap, 5x20 mm	865 0000 1009	Bulk 100
Cap, 2x25 mm	866 0000 1009	Bulk 100
860 Series Holder	860 0000 1009	Bulk 100
862 Series Holder	862 0000 1009	Bulk 100
865 Series Holder	865 0000 1009	Bulk 100
866 Series Holder	866 0000 1009	Bulk 100