



Chipsmall Limited consists of a professional team with an average of over 10 year of expertise in the distribution of electronic components. Based in Hongkong, we have already established firm and mutual-benefit business relationships with customers from,Europe,America and south Asia,supplying obsolete and hard-to-find components to meet their specific needs.

With the principle of “Quality Parts,Customers Priority,Honest Operation,and Considerate Service”,our business mainly focus on the distribution of electronic components. Line cards we deal with include Microchip,ALPS,ROHM,Xilinx,Pulse,ON,Everlight and Freescale. Main products comprise IC,Modules,Potentiometer,IC Socket,Relay,Connector.Our parts cover such applications as commercial,industrial, and automotives areas.

We are looking forward to setting up business relationship with you and hope to provide you with the best service and solution. Let us make a better world for our industry!



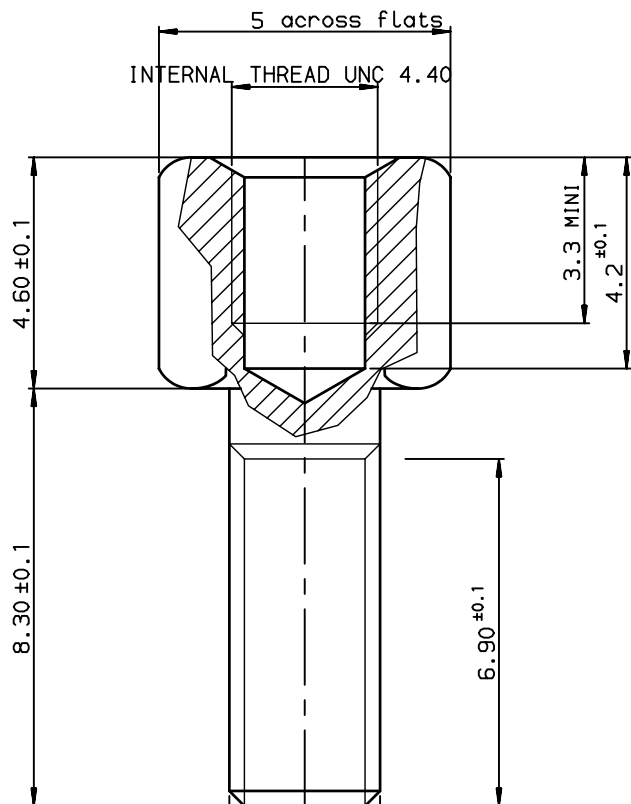
## Contact us

Tel: +86-755-8981 8866 Fax: +86-755-8427 6832

Email & Skype: info@chipsmall.com Web: www.chipsmall.com

Address: A1208, Overseas Decoration Building, #122 Zhenhua RD., Futian, Shenzhen, China





4.40NC2A sellers

TECHNICAL CHARACTERISTICS :

Female screw locks: brass  
Packaging : per 1000 pieces .

86551009TLF	NOTE 1
LEAD FREE PART NUMBER	RoHS NOTE

NOTE 1 : RoHS INFORMATIONS

- The "LF" product meets European union Directives and other country regulations as described in G5-22-008.
- The product is not intended to be exposed to a manufacturing solder process.
- Plating: Sn pure bright over Copper.
- Packaging spec: see G5-14-920.

European Views

www.fciconnect.com		surface ISO 1302 ✓	tolerance std ISO 406 ISO 1101	projection 	mm
TOLERANCES UNLESS OTHERWISE SPECIFIED					
ANGULAR	LINEAR	0.X	± 0.1	size A3	Scale 10
0.XX	± 2°	0.XX	± 0.1	ECN LS09-0006	
0.XXX		0.XXX	± 0.1	Product family D-SUB	Spec ref -
Dr	GOISNARD	2006/01/12			
Eng	PESSON	2006/01/12			
Chr	LEGARE	2006/01/12			
Appr	LEGARE	2006/01/12			
rev	ecn no	dr	date		
A	LS05-0123	LGO	2006/01/12		
B	LS06-0095	LGO	2006/06/24		
C	LS09-0006	PCR	2009/01/08		
-	-	-	-		
-	-	-	-		
-	-	-	-		
-	-	-	-		
		title FEMALE SCREW LOCKS		dwg no C01-8655-1659	Rev. C
D SUB ACCESSORIES		catalog no		CUSTOMER	sheet 1 of 1