



Chipsmall Limited consists of a professional team with an average of over 10 year of expertise in the distribution of electronic components. Based in Hongkong, we have already established firm and mutual-benefit business relationships with customers from,Europe,America and south Asia,supplying obsolete and hard-to-find components to meet their specific needs.

With the principle of “Quality Parts,Customers Priority,Honest Operation,and Considerate Service”,our business mainly focus on the distribution of electronic components. Line cards we deal with include Microchip,ALPS,ROHM,Xilinx,Pulse,ON,Everlight and Freescale. Main products comprise IC,Modules,Potentiometer,IC Socket,Relay,Connector.Our parts cover such applications as commercial,industrial, and automotives areas.

We are looking forward to setting up business relationship with you and hope to provide you with the best service and solution. Let us make a better world for our industry!



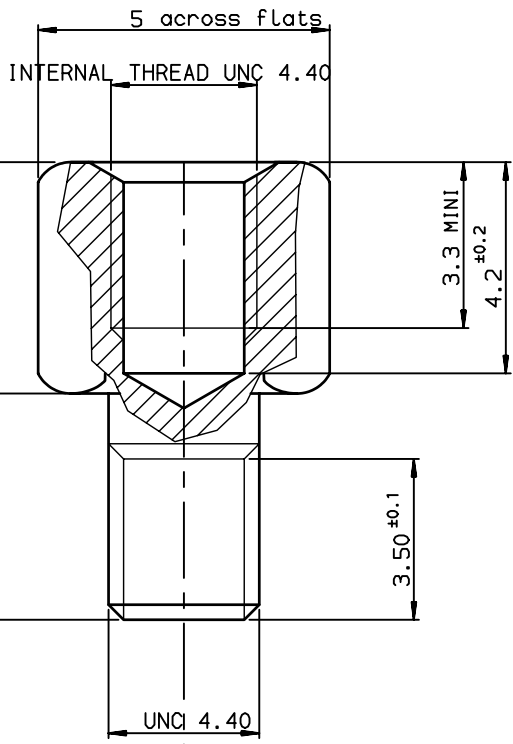
Contact us

Tel: +86-755-8981 8866 Fax: +86-755-8427 6832

Email & Skype: info@chipsmall.com Web: www.chipsmall.com

Address: A1208, Overseas Decoration Building, #122 Zhenhua RD., Futian, Shenzhen, China





TECHNICAL CHARACTERISTICS :

Female screw locks: stell, tin plated .

Packaging : per 100 pieces .

Corrosion resistance : 24 hours exposure to salt spray .

Part number **86551166TLF**

NOTE:RoHS INFORMATIONS

- The "LF" products meet European union Directives and other country regulations as described in 65-22-008.
- Plating Sn (pure bright) over copper
- Packaging spec: see 65-14-920

European Views

| | | | | | |
|---------------------------------------|---------|--|-----------------------------------|--------------------------------|------------------|
| www.fciconnect.com | | surface ISO 1302 ✓ | tolerance std ISO 406 ISO 1101 | projection ⊕ | mm |
| TOLERANCES UNLESS OTHERWISE SPECIFIED | | | | | |
| ANGULAR | LINEAR | 0.X | ±0.1 | size A3 | Scale 2 |
| 0.XX' ±2' | | 0.XX | ±0.1 | ECN LS09-0006 | |
| 0.XXX | | 0.XXX | ±0.1 | Spec ref - | |
| Dr | JOUBERT | 2001/07/06 | | | |
| Eng | PESSON | 2001/07/06 | | | |
| Chr | LEGARE | 2001/07/06 | | | |
| Appr | LEGARE | 2001/07/06 | Product family | D-SUB | |
| | | FEMALE SCREW LOCKS D SUB ACCESSORIES | | dwg no C01-8655-0617 | Rev. D |
| catalog no | | - | | CUSTOMER | sheet 1 of 1 |

| rev | ecn no | dr | date |
|-----|-----------|-----|------------|
| A | - | JOU | 2001/07/06 |
| B | LS05-0026 | MPE | 2005/07/08 |
| C | LS06-0097 | LGO | 2006/07/28 |
| D | LS09-0006 | PCR | 2009/01/08 |
| - | - | - | - |
| - | - | - | - |
| - | - | - | - |