



Chipsmall Limited consists of a professional team with an average of over 10 year of expertise in the distribution of electronic components. Based in Hongkong, we have already established firm and mutual-benefit business relationships with customers from,Europe,America and south Asia,supplying obsolete and hard-to-find components to meet their specific needs.

With the principle of "Quality Parts,Customers Priority,Honest Operation,and Considerate Service",our business mainly focus on the distribution of electronic components. Line cards we deal with include Microchip,ALPS,ROHM,Xilinx,Pulse,ON,Everlight and Freescale. Main products comprise IC,Modules,Potentiometer,IC Socket,Relay,Connector.Our parts cover such applications as commercial,industrial, and automotives areas.

We are looking forward to setting up business relationship with you and hope to provide you with the best service and solution. Let us make a better world for our industry!



## Contact us

Tel: +86-755-8981 8866 Fax: +86-755-8427 6832

Email & Skype: info@chipsmall.com Web: www.chipsmall.com

Address: A1208, Overseas Decoration Building, #122 Zhenhua RD., Futian, Shenzhen, China

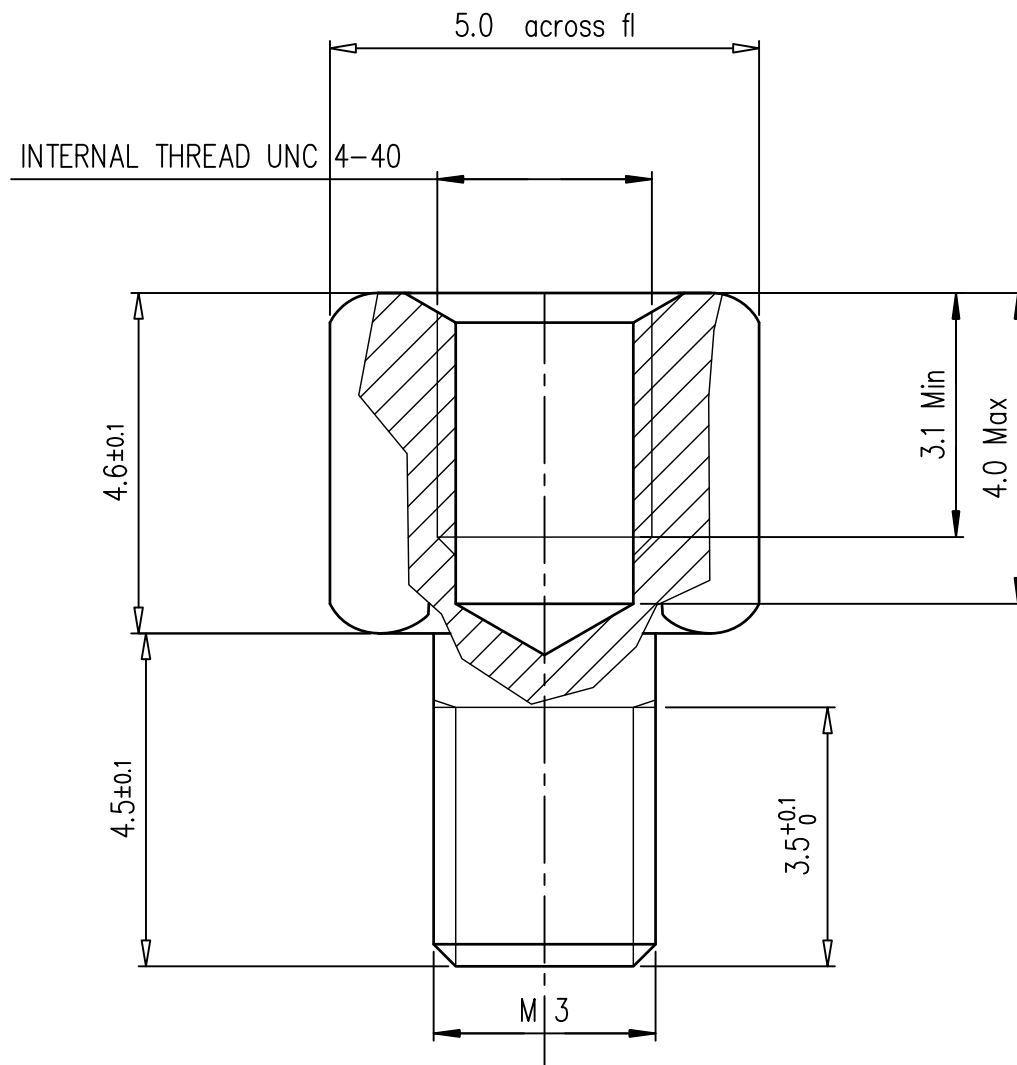


TECHNICAL CHARACTERISTICS :

Female screw locks: steel, tin plated .

Packaging : per 100 pieces .

Corrosion resistance : 50 hour exposure to salt spray .



NOTE: RoHS INFORMATIONS

- The "LF" products meet European union Directives and other country regulations as described in GS-22-008.
- Plating Sn (pure bright ) over copper
- Packaging spec: see GS-14-920

Part number	86551167TLF
-------------	-------------

European Views

www.fciconnect.com			surface ISO 1302 ✓	tolerance std ISO 406 ISO 1101	projection ⊥	mm
TOLERANCES UNLESS OTHERWISE SPECIFIED						
Dr	JOUBERT	1995/10/16	ANGULAR	LINEAR	0.X	±0.1
Eng	PESSON	1995/10/16			0.XX	±0.1
Chr	ABHILASH	2011/01/25	0.XX	±2	0.XXX	±0.1
Appr	SUDHIR	2011/01/25	Product family		D-SUB	Spec ref -
FCI			title FEMALE SCREW LOCKS D SUB ACCESSORIES		dwg no C01-8655-0684	Rev. F
			catalog no		CUSTOMER	sheet 1 of 1

rev	ecn no	dr	date
B	-	JOU	1996/01/17
C	LS05-0026	MPE	2005/07/08
D	LS06-0097	LGO	2006/07/28
E	LS09-0006	PCR	2009/01/08
F	I11-0022	AMR	2011/01/25
-	-	-	-
-	-	-	-



Copyright FCI.