



Chipsmall Limited consists of a professional team with an average of over 10 year of expertise in the distribution of electronic components. Based in Hongkong, we have already established firm and mutual-benefit business relationships with customers from,Europe,America and south Asia,supplying obsolete and hard-to-find components to meet their specific needs.

With the principle of “Quality Parts,Customers Priority,Honest Operation,and Considerate Service”,our business mainly focus on the distribution of electronic components. Line cards we deal with include Microchip,ALPS,ROHM,Xilinx,Pulse,ON,Everlight and Freescale. Main products comprise IC,Modules,Potentiometer,IC Socket,Relay,Connector.Our parts cover such applications as commercial,industrial, and automotives areas.

We are looking forward to setting up business relationship with you and hope to provide you with the best service and solution. Let us make a better world for our industry!



## Contact us

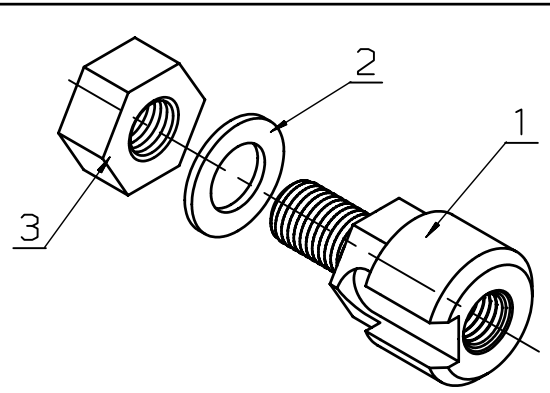
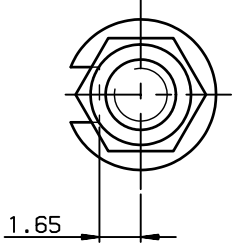
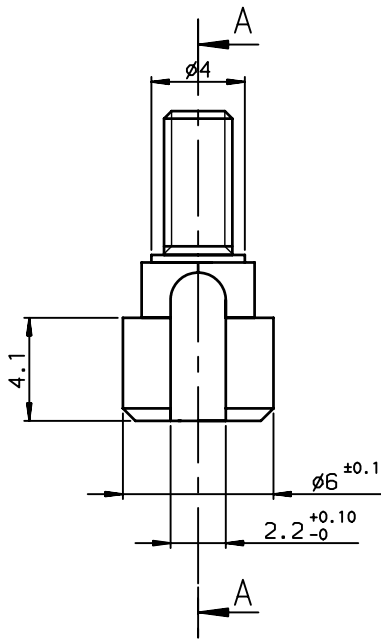
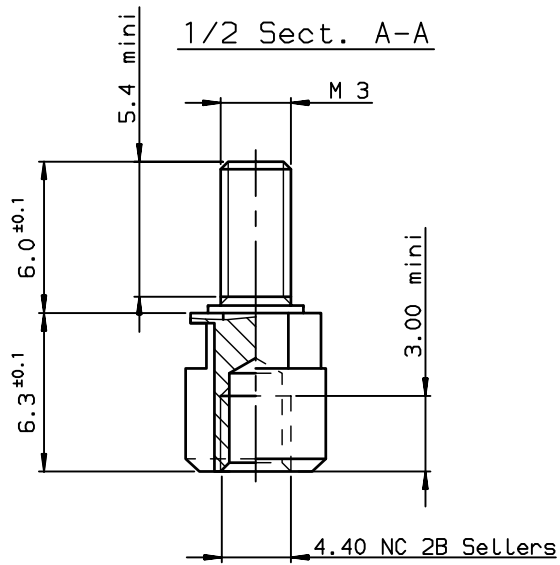
Tel: +86-755-8981 8866 Fax: +86-755-8427 6832

Email & Skype: info@chipsmall.com Web: www.chipsmall.com

Address: A1208, Overseas Decoration Building, #122 Zhenhua RD., Futian, Shenzhen, China



Copyright FCJ. **FCJ**



0 5 10 MM

86551301100	3	100	NUT M3 M3	STEEL, yellow ZINC
	2	100	WASHER Ø3	STEEL, yellow ZINC
	1	100	CODING	STEEL, yellow ZINC
PART NUMBER	Rep	Qty	DESIGNATION	MATERIAL

rev	ecn no	dr	date
A1	-	ETI	1992/06/17
B	LS06-0097	LGO	2006/07/28
C	LS08-0225	MPE	2008/12/08
-	-	-	-
-	-	-	-
-	-	-	-

www.fciconnect.com		surface ISO 1302 ✓	tolerance std ISO 406 ISO 1101	projection 	mm
TOLERANCES UNLESS OTHERWISE SPECIFIED					
ANGULAR	LINEAR	0.X	±0.1	size A3	Scale 5
0.XX' ±2'		0.XX	±0.1	ECN	LS08-0225
Appr	LEGARE	1992/06/17	Product family	D-SUB	Spec ref -
<b>FCJ</b>	title REMOVABLE CODING FEMALE			dwg no C01-8655-0632	Rev. C
	catalog no	-	CUSTOMER	sheet 1 of 1	

REV F - 2006-04-17