



Chipsmall Limited consists of a professional team with an average of over 10 year of expertise in the distribution of electronic components. Based in Hongkong, we have already established firm and mutual-benefit business relationships with customers from,Europe,America and south Asia,supplying obsolete and hard-to-find components to meet their specific needs.

With the principle of "Quality Parts,Customers Priority,Honest Operation,and Considerate Service",our business mainly focus on the distribution of electronic components. Line cards we deal with include Microchip,ALPS,ROHM,Xilinx,Pulse,ON,Everlight and Freescale. Main products comprise IC,Modules,Potentiometer,IC Socket,Relay,Connector.Our parts cover such applications as commercial,industrial, and automotives areas.

We are looking forward to setting up business relationship with you and hope to provide you with the best service and solution. Let us make a better world for our industry!



Contact us

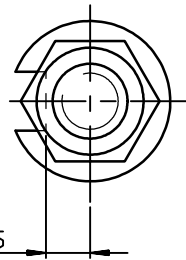
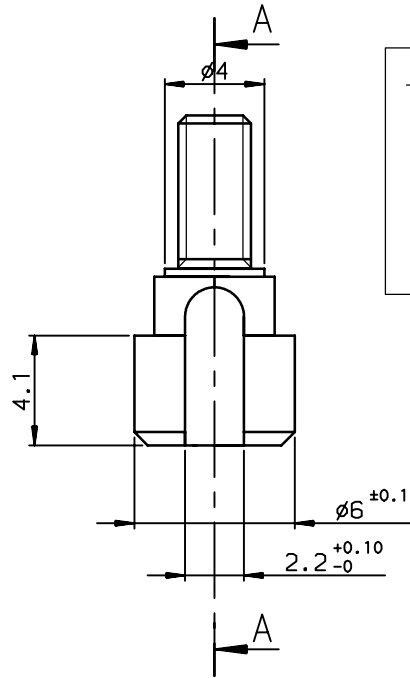
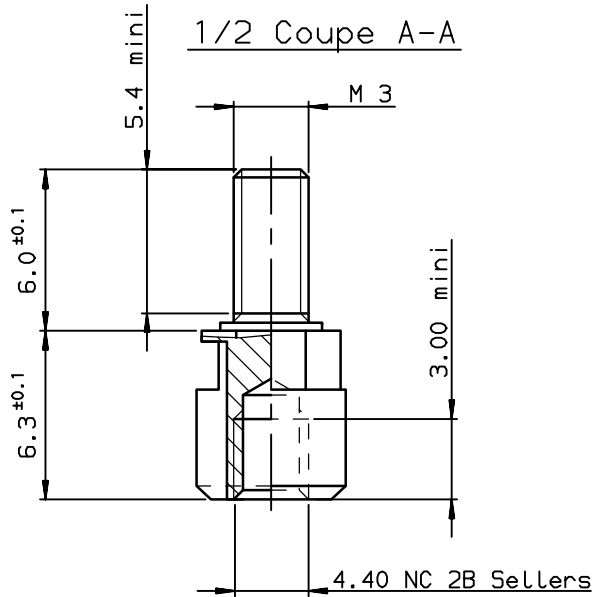
Tel: +86-755-8981 8866 Fax: +86-755-8427 6832

Email & Skype: info@chipsmall.com Web: www.chipsmall.com

Address: A1208, Overseas Decoration Building, #122 Zhenhua RD., Futian, Shenzhen, China



1/2 Coupe A-A

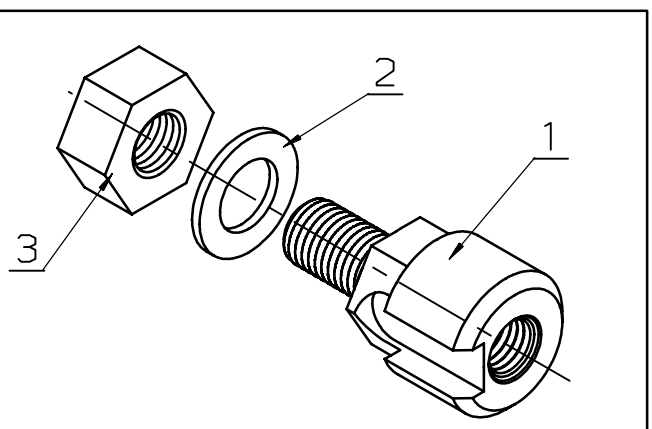


NOTE: RoHS INFORMATIONS

- The "LF" product meets European union Directives and other country regulations as described in GS-22-008.
- The product is not intended to be exposed to a manufacturing solder process.
- Plating: Zinc Cr3+, white color.
- Packaging spec: see GS-14-920.

	3	100	ECROU M3
86551301100LF	2	100	RONDELLE Ø3
	1	100	DETROMPEUR
LEAD-FREE PART-NUMBER	Rep	Qte	DESIGNATION

Copyright FCI. FCI



rev	ecn no	dr	date
A	LS05-0123	LGO	2005/12/27
B	LS06-0097	LGO	2006/07/28
-	-	-	-
-	-	-	-
-	-	-	-
-	-	-	-

www.fciconnect.com		surface ISO 1302 ✓	tolerance std ISO 406 ISO 1101	projection mm
TOLERANCES UNLESS OTHERWISE SPECIFIED				
Dr	GOISNARD	2005/12/27	0.X ±0.1	size A3
Eng	PESSON	2005/12/27	0.XX ±0.1	Scale 5
Chr	LEGARE	2005/12/27	0.XX' ±2'	ECN LS06-0097
Appr	LEGARE	2005/12/27	0.XXX ±0.1	Product family D-SUB Spec ref -
FCI title		DETROMPEUR FEM DEMONTABLE		Rev. B
catalog no		PAR 100 PIECES		dwg no C01-8655-1630
		CUSTOMER		sheet 1 of 1