



Chipsmall Limited consists of a professional team with an average of over 10 year of expertise in the distribution of electronic components. Based in Hongkong, we have already established firm and mutual-benefit business relationships with customers from,Europe,America and south Asia,supplying obsolete and hard-to-find components to meet their specific needs.

With the principle of “Quality Parts,Customers Priority,Honest Operation,and Considerate Service”,our business mainly focus on the distribution of electronic components. Line cards we deal with include Microchip,ALPS,ROHM,Xilinx,Pulse,ON,Everlight and Freescale. Main products comprise IC,Modules,Potentiometer,IC Socket,Relay,Connector.Our parts cover such applications as commercial,industrial, and automotives areas.

We are looking forward to setting up business relationship with you and hope to provide you with the best service and solution. Let us make a better world for our industry!



## Contact us

Tel: +86-755-8981 8866 Fax: +86-755-8427 6832

Email & Skype: info@chipsmall.com Web: www.chipsmall.com

Address: A1208, Overseas Decoration Building, #122 Zhenhua RD., Futian, Shenzhen, China



MATERIAL:  
Steel . Cadmium plating

TEMPERATURE RANGE:  
-Climatic category: -55°/ +125°

PACKAGING:  
Per 100 pieces

A

B

C

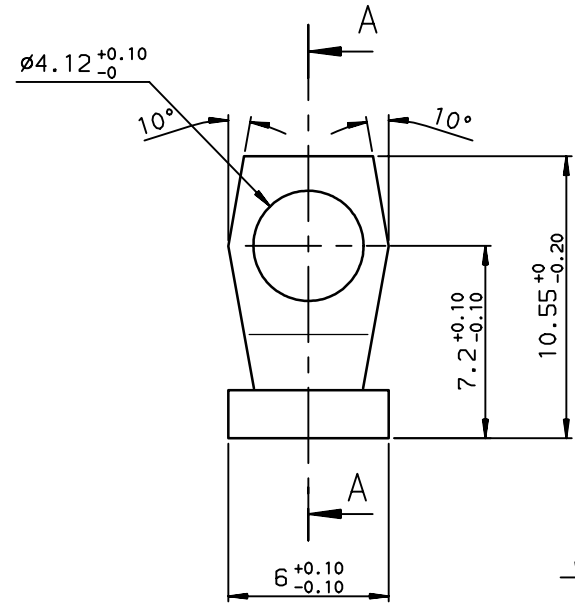
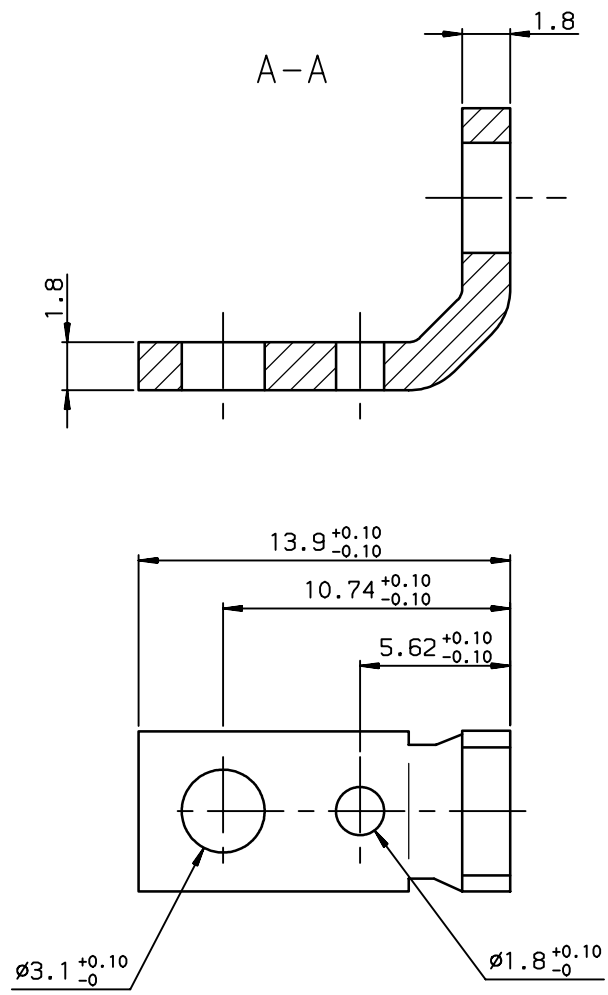
D

A

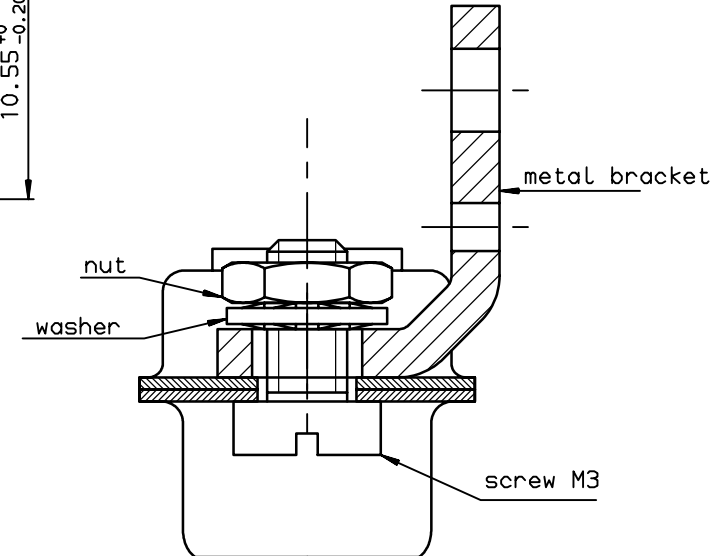
B

C

D



BRACKET MOUNTING



Part number **8655-2008**

European Views

www.fciconnect.com		surface ISO 1302 <input checked="" type="checkbox"/>	tolerance std ISO 406 ISO 1101	projection 	mm
TOLERANCES UNLESS OTHERWISE SPECIFIED					
Dr	JOUBERT	1998/04/10	0.X	$\pm 0.1$	size A3
Eng	PESSON	1998/04/10	0.XX	$\pm 0.1$	Scale 5
Chr	LEGARE	1998/04/10	0.XX' $\pm 2'$	0.XXX	$\pm 0.1$
Appr	LEGARE	1998/04/10	Product family D-SUB		ECN L506-0097
				Spec ref	-
		title METAL BRACKETS		dwg no C01-8655-1513	Rev. B
		catalog no -		CUSTOMER	sheet 1 of 1

rev	ecn no	dr	date
A	-	JOU	1998/04/10
B	L506-0097	LGO	2006/07/28
-	-	-	-
-	-	-	-
-	-	-	-
-	-	-	-

