



Chipsmall Limited consists of a professional team with an average of over 10 year of expertise in the distribution of electronic components. Based in Hongkong, we have already established firm and mutual-benefit business relationships with customers from,Europe,America and south Asia,supplying obsolete and hard-to-find components to meet their specific needs.

With the principle of “Quality Parts,Customers Priority,Honest Operation,and Considerate Service”,our business mainly focus on the distribution of electronic components. Line cards we deal with include Microchip,ALPS,ROHM,Xilinx,Pulse,ON,Everlight and Freescale. Main products comprise IC,Modules,Potentiometer,IC Socket,Relay,Connector.Our parts cover such applications as commercial,industrial, and automotives areas.

We are looking forward to setting up business relationship with you and hope to provide you with the best service and solution. Let us make a better world for our industry!



Contact us

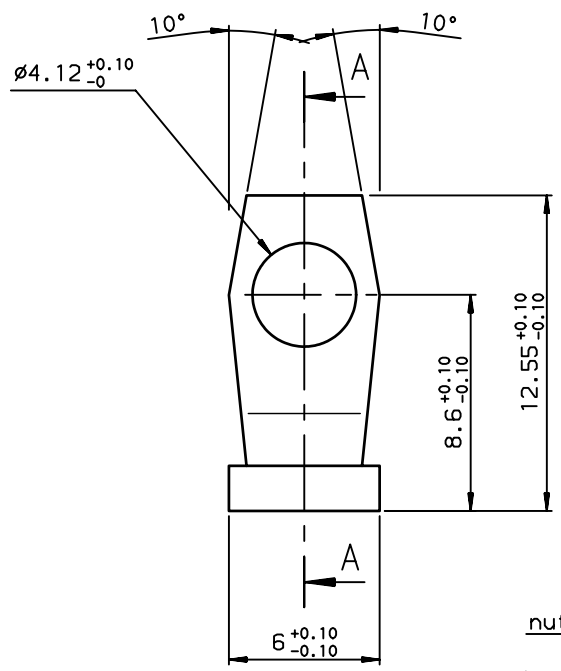
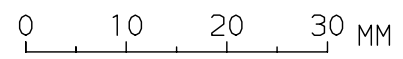
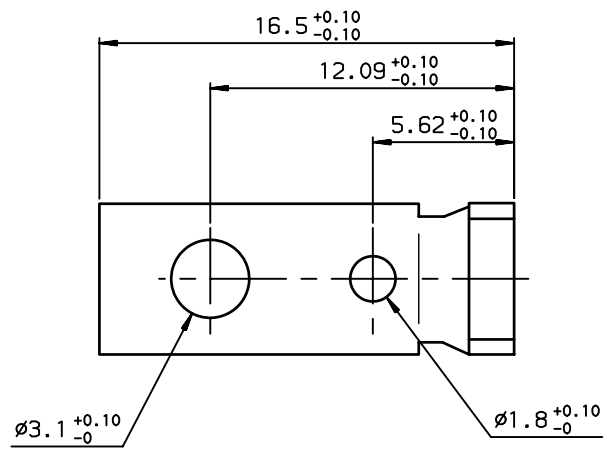
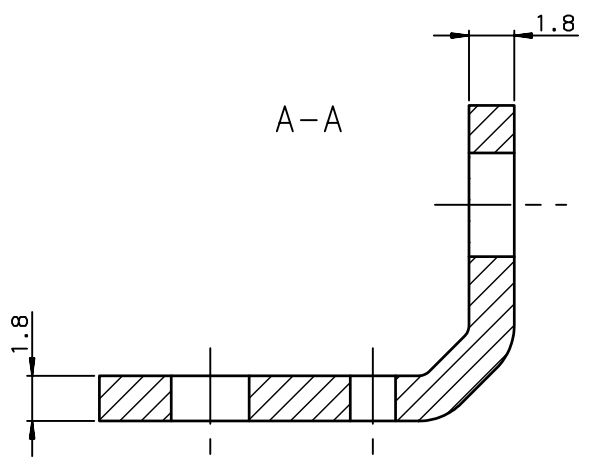
Tel: +86-755-8981 8866 Fax: +86-755-8427 6832

Email & Skype: info@chipsmall.com Web: www.chipsmall.com

Address: A1208, Overseas Decoration Building, #122 Zhenhua RD., Futian, Shenzhen, China



Copyright FCJ.

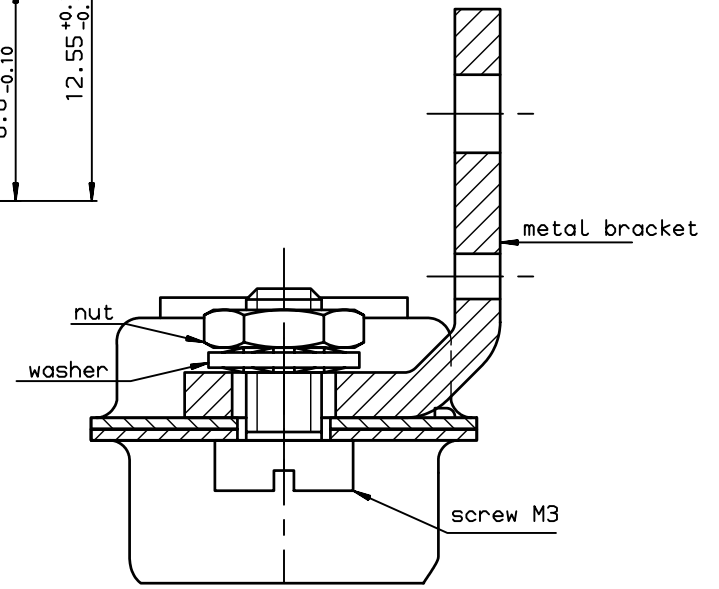


MATERIAL:
Steel . Cadmium plating

TEMPERATURE RANGE:
-Climatic category: -55° / +125°

PACKAGING:
Per 100 pieces

BRACKET MOUNTING



Part number: **86552009**

European Views

www.fciconnect.com		surface ISO 1302 ✓	tolerance std ISO 406 ISO 1101	projection A3	mm
TOLERANCES UNLESS OTHERWISE SPECIFIED					
ANGULAR	LINEAR	0.X	±0.1	size	Scale
0.XX' ±2°		0.XX	±0.1	A3	5
		0.XXX	±0.1	ECN	LS09-0006
Dr	JOUBERT	2003/02/20	Product family	D-SUB	Spec ref -
Eng	PESSON	2003/02/20	Title		
Chr	LEGARE	2003/02/20	D SUB ACCESSORIES		
Appr	LEGARE	2003/02/20	Rev.		
FCJ			dwg no	C01-8655-1575	
catalog no			CUSTOMER sheet 1 of 1		

rev	ecn no	dr	date
A	-	JOU	2003/02/20
B	LS06-0097	LGO	2006/07/28
C	LS09-0006	PCR	2009/01/08
-	-	-	-
-	-	-	-
-	-	-	-