



Chipsmall Limited consists of a professional team with an average of over 10 year of expertise in the distribution of electronic components. Based in Hongkong, we have already established firm and mutual-benefit business relationships with customers from,Europe,America and south Asia,supplying obsolete and hard-to-find components to meet their specific needs.

With the principle of “Quality Parts,Customers Priority,Honest Operation,and Considerate Service”,our business mainly focus on the distribution of electronic components. Line cards we deal with include Microchip,ALPS,ROHM,Xilinx,Pulse,ON,Everlight and Freescale. Main products comprise IC,Modules,Potentiometer,IC Socket,Relay,Connector.Our parts cover such applications as commercial,industrial, and automotives areas.

We are looking forward to setting up business relationship with you and hope to provide you with the best service and solution. Let us make a better world for our industry!



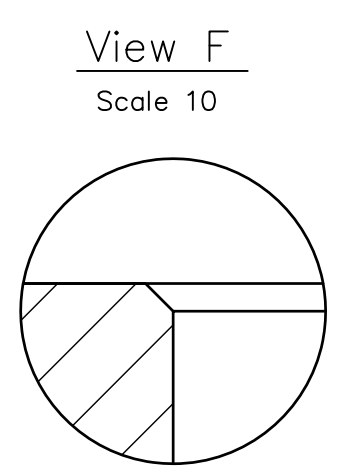
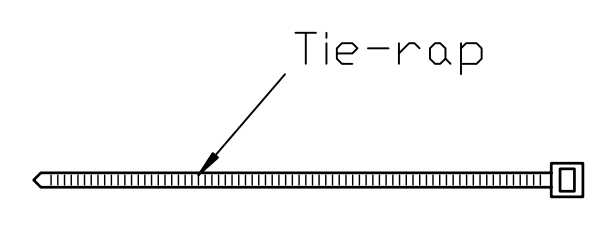
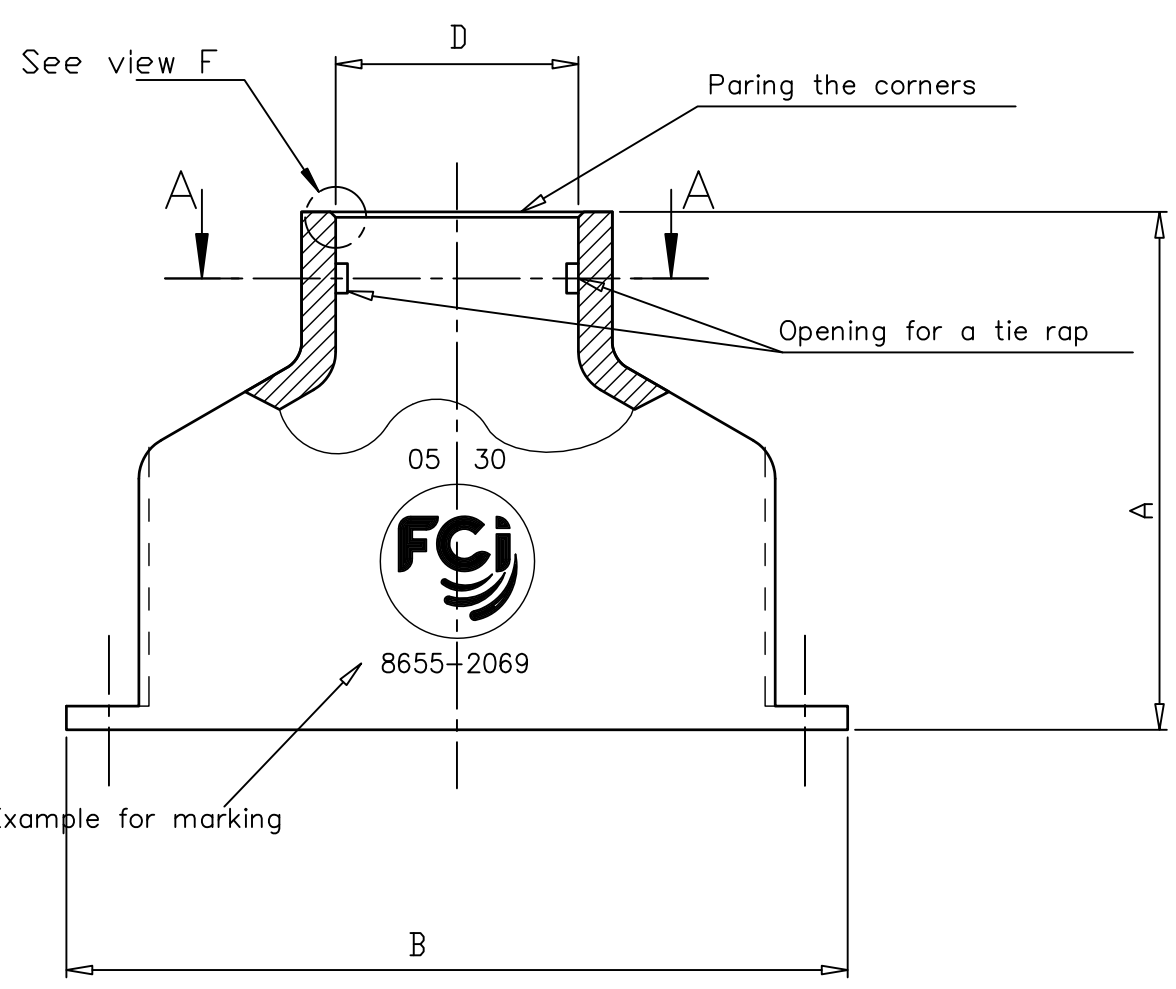
Contact us

Tel: +86-755-8981 8866 Fax: +86-755-8427 6832

Email & Skype: info@chipsmall.com Web: www.chipsmall.com

Address: A1208, Overseas Decoration Building, #122 Zhenhua RD., Futian, Shenzhen, China





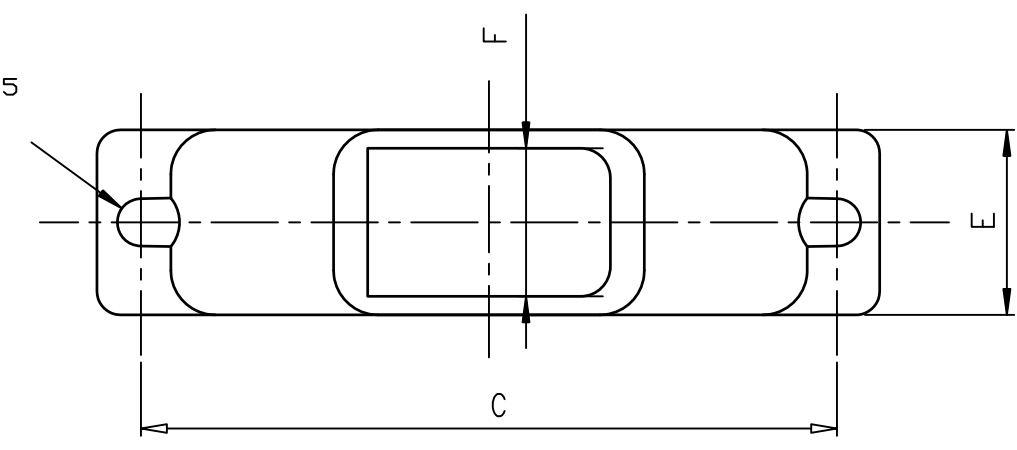
MATERIAL:
thermoplastic

TEMPERATURE RANGE:
- Climatic category -55° / +105°C

PACKAGING:
individual

COLOUR
black

DEFINITION SP238
Paring the corners/ebavurage
Marking on hood: FCI P/N without SP238LF+code year week
Marking on label: FCI P/N+Ref Aerospaceal
+code year-week



SHELL	A± 0.1	B± 0.1	C±0.12	D± 0.1	E± 0.1	F± 0.1	PART NUMBER LF	P/N AEROSPATIAL
09	29	30.60	25.00	9.99	12.50	9.90	86552067SP238LF	ABS0388B09A
15	29	38.90	33.32	11.99	12.50	9.90	86552068SP238LF	ABS0388B15A
25	35	52.80	47.05	16.40	12.50	9.90	86552069SP238LF	ABS0388B25A
37	41	69.10	63.50	23.49	12.50	9.90	86552070SP238LF	ABS0388B37A
50	41	66.70	61.10	23.49	15.30	12.79	86552071SP238LF	ABS0388B50A

With cable tie



Copyright FCI.

NOTE: RoHS INFORMATIONS

- These products meet European union Directives and other country regulations as described in GS-22-008.(RoHS Compliant products)
- Packaging spec: see GS-14-920

rev	ecn no	dr	date
J	I11-0022	AMR	2011/01/25
K	I11-0056	AMR	2011/03/19
D	LS06-0097	LGO	2006/07/28
E	LS07-0249	MPE	2007/10/08
F	LS08-0007	MPE	2008/01/14
G	LS08-0020	MPE	2008/01/23
H	LS08-0146	MPE	2008/06/16

www.fciconnect.com		surface ISO 1302 ✓	tolerance std ISO 406 ISO 1101	projection mm
TOLERANCES UNLESS OTHERWISE SPECIFIED				
Dr	PESSON	2005/09/12	ANGULAR	0.X ±0.1
Eng	PESSON	2005/09/12	LINEAR	0.XX ±0.1
Chr	ABHILASH	2011/01/25	0.XX' ±2	0.XXX ±0.1
Appr	SUDHIR	2011/01/25	Product family	D-SUB Spec ref -
FCI		title POTTING PLASTIC HOODS specification SP238 (straight)		dwg no C01-8655-1593
catalog no		-		Rev. K
CUSTOMER			sheet 1 of 1	