



Chipsmall Limited consists of a professional team with an average of over 10 year of expertise in the distribution of electronic components. Based in Hongkong, we have already established firm and mutual-benefit business relationships with customers from,Europe,America and south Asia,supplying obsolete and hard-to-find components to meet their specific needs.

With the principle of “Quality Parts,Customers Priority,Honest Operation,and Considerate Service”,our business mainly focus on the distribution of electronic components. Line cards we deal with include Microchip,ALPS,ROHM,Xilinx,Pulse,ON,Everlight and Freescale. Main products comprise IC,Modules,Potentiometer,IC Socket,Relay,Connector.Our parts cover such applications as commercial,industrial, and automotives areas.

We are looking forward to setting up business relationship with you and hope to provide you with the best service and solution. Let us make a better world for our industry!



## Contact us

Tel: +86-755-8981 8866 Fax: +86-755-8427 6832

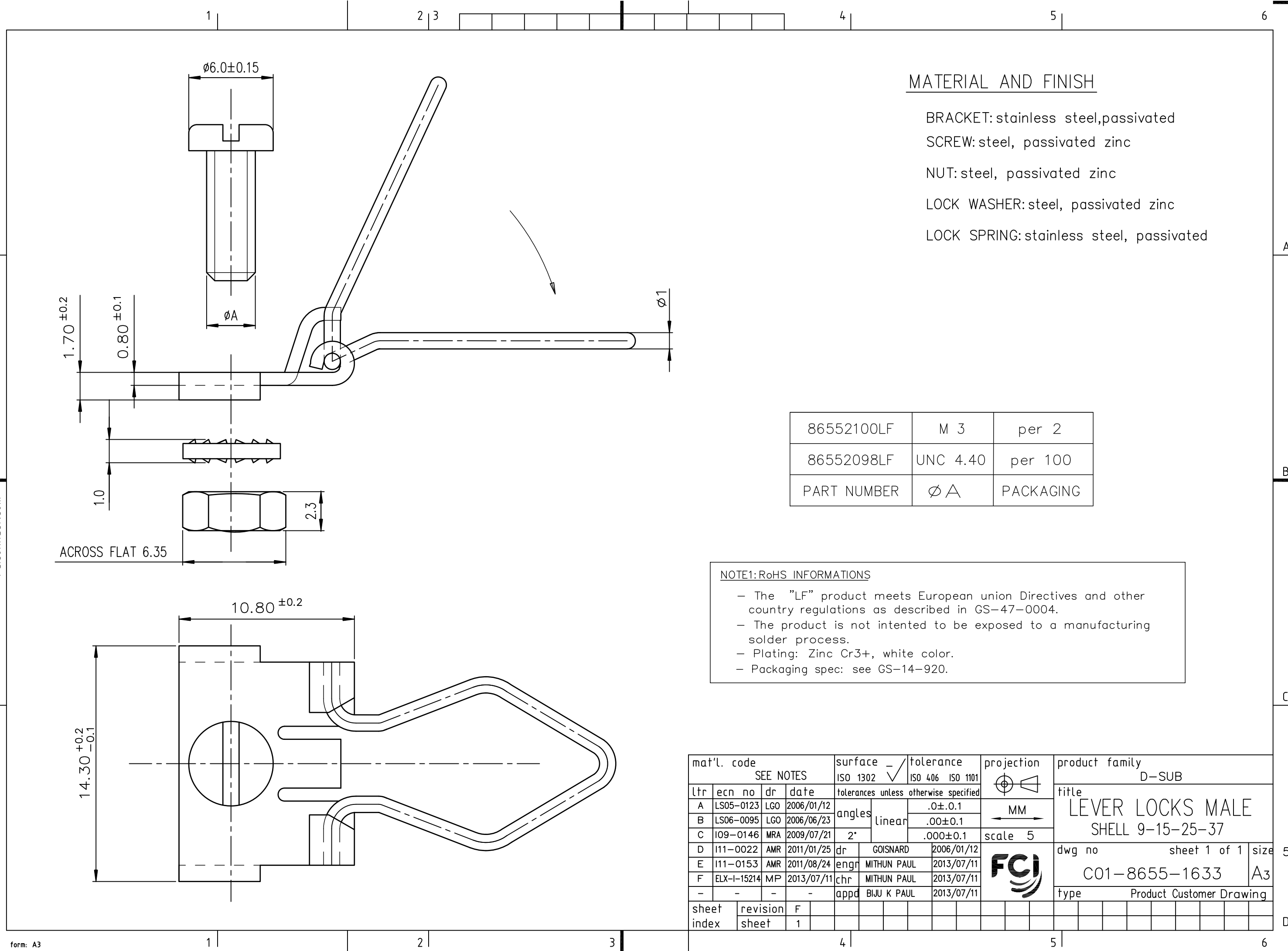
Email & Skype: info@chipsmall.com Web: www.chipsmall.com

Address: A1208, Overseas Decoration Building, #122 Zhenhua RD., Futian, Shenzhen, China





Copyright FCI



### MATERIAL AND FINISH

- BRACKET: stainless steel, passivated
- SCREW: steel, passivated zinc
- NUT: steel, passivated zinc
- LOCK WASHER: steel, passivated zinc
- LOCK SPRING: stainless steel, passivated

86552100LF	M 3	per 2
86552098LF	UNC 4.40	per 100
PART NUMBER	Ø A	PACKAGING

**NOTE1: RoHS INFORMATIONS**

- The "LF" product meets European union Directives and other country regulations as described in GS-47-0004.
- The product is not intended to be exposed to a manufacturing solder process.
- Plating: Zinc Cr3+, white color.
- Packaging spec: see GS-14-920.

mat'l. code		surface		tolerance		projection		product family	
SEE NOTES		ISO 1302 ✓		ISO 406 ISO 1101		MM		D-SUB	
ltr	ecn no	dr	date	tolerances unless otherwise specified		MM		title	
A	LS05-0123	LGO	2006/01/12	angles	linear	MM		LEVER LOCKS MALE	
B	LS06-0095	LGO	2006/06/23	2°		scale 5		SHELL 9-15-25-37	
C	I09-0146	MRA	2009/07/21						
D	I11-0022	AMR	2011/01/25	dr	GOISNARD	2006/01/12		dwg no sheet 1 of 1 size 5	
E	I11-0153	AMR	2011/08/24	engr	MITHUN PAUL	2013/07/11		C01-8655-1633 A3	
F	ELX-I-15214	MP	2013/07/11	chr	MITHUN PAUL	2013/07/11		type Product Customer Drawing	
-	-	-	-	appd	BIJU K PAUL	2013/07/11			
sheet index	revision sheet	F	1						