



Chipsmall Limited consists of a professional team with an average of over 10 year of expertise in the distribution of electronic components. Based in Hongkong, we have already established firm and mutual-benefit business relationships with customers from,Europe,America and south Asia,supplying obsolete and hard-to-find components to meet their specific needs.

With the principle of "Quality Parts,Customers Priority,Honest Operation,and Considerate Service",our business mainly focus on the distribution of electronic components. Line cards we deal with include Microchip,ALPS,ROHM,Xilinx,Pulse,ON,Everlight and Freescale. Main products comprise IC,Modules,Potentiometer,IC Socket,Relay,Connector.Our parts cover such applications as commercial,industrial, and automotives areas.

We are looking forward to setting up business relationship with you and hope to provide you with the best service and solution. Let us make a better world for our industry!



## Contact us

Tel: +86-755-8981 8866 Fax: +86-755-8427 6832

Email & Skype: info@chipsmall.com Web: www.chipsmall.com

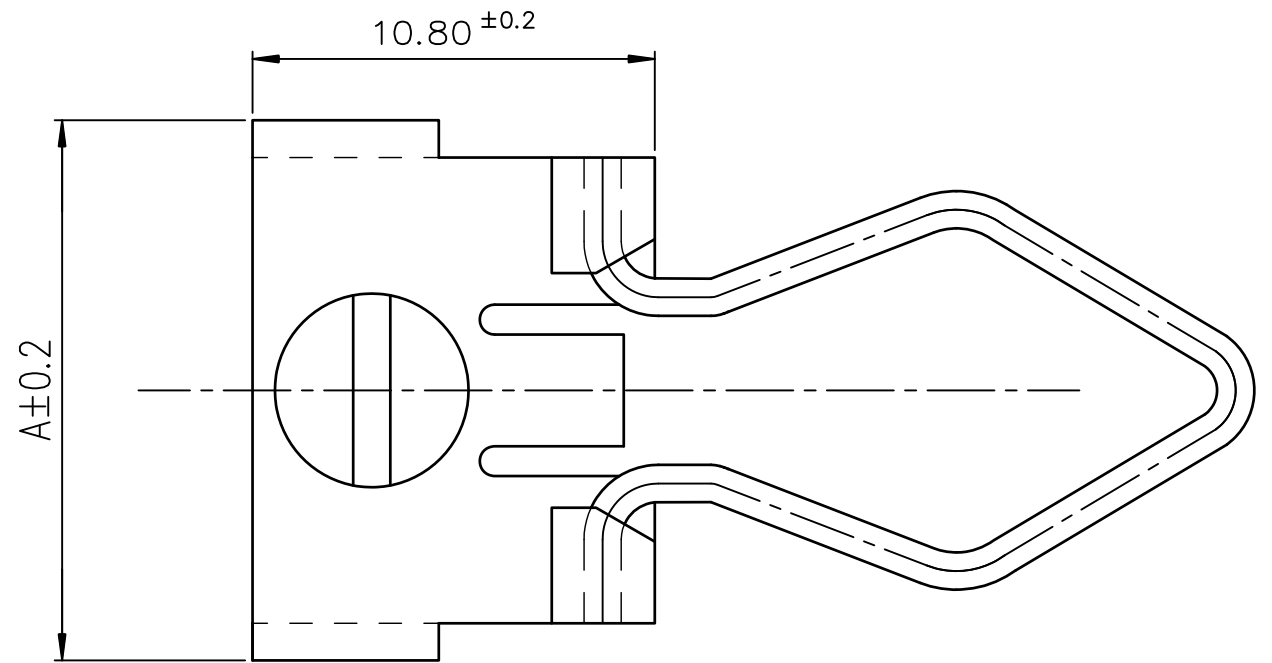
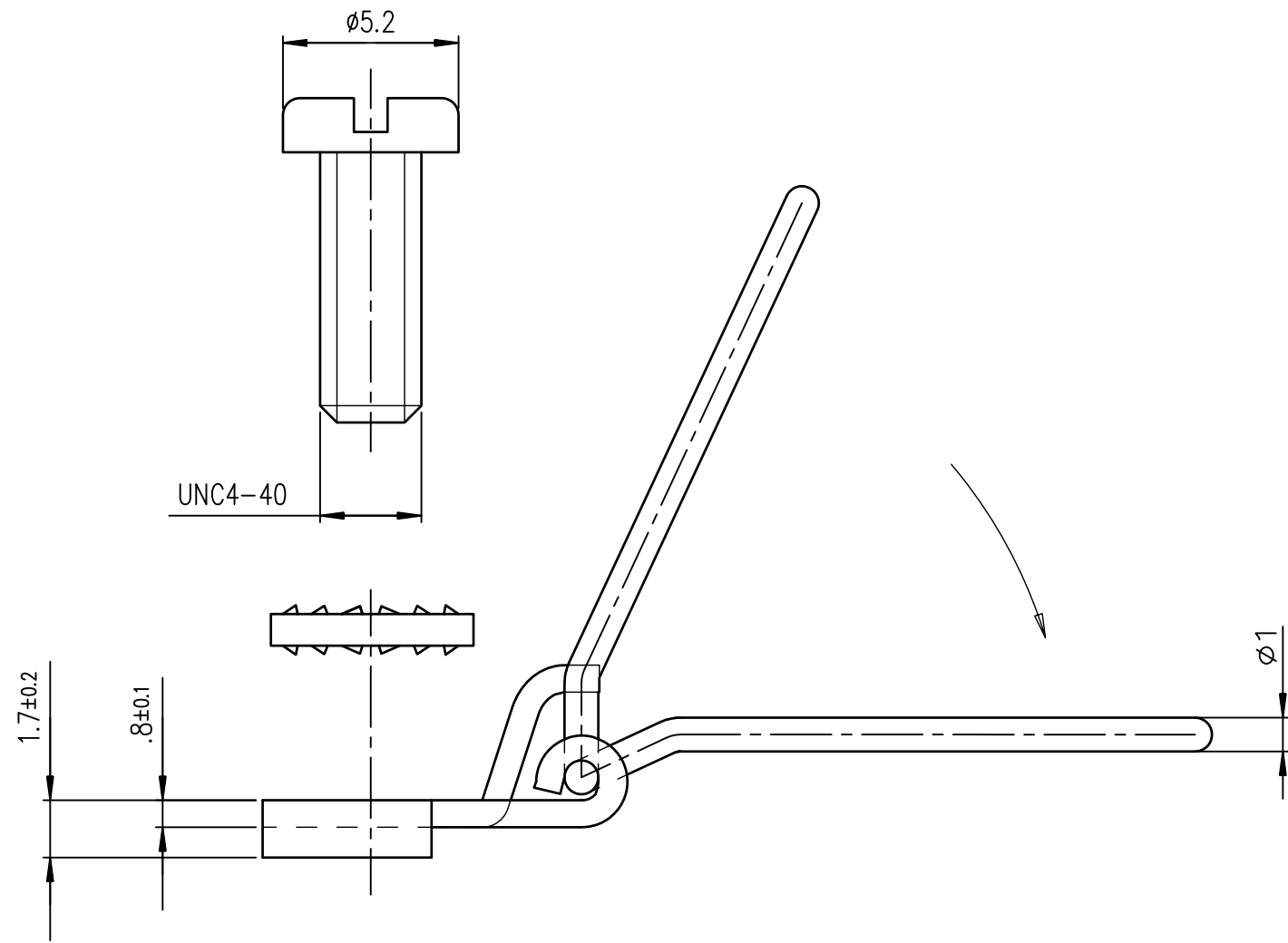
Address: A1208, Overseas Decoration Building, #122 Zhenhua RD., Futian, Shenzhen, China





Copyright FCI

FCIconnect.com



865520991ALF	17.10	per 100
865520981ALF	14.30	per 100
PART NUMBER	A	PACKAGING

**NOTE1: RoHS INFORMATIONS**

- The "LF" product meets European union Directives and other country regulations as described in GS-47-0004.
- The product is not intended to be exposed to a manufacturing solder process.
- Plating: Zinc Cr3+, white color.
- Packaging spec: see GS-14-920.

mat'l. code		-		surface		ISO 1302 <input checked="" type="checkbox"/> ISO 406 <input type="checkbox"/> ISO 1101 <input type="checkbox"/>		tolerance		tolerances unless otherwise specified		projection		product family	
ltr		ecn no		dr		date		angles		linear		MM		D-SUB	
A		LS05-0123		LGO		2006/01/12		2°		.0±0.1		scale 5		title	
B		LS06-0095		LGO		2006/06/26				.00±0.1				LEVER LOCKS MALE	
C		ELX-I-15214		MP		2013/07/11				.000±0.1				(SHELL SIZE 09-15-25-37-50)	
								dr		GOISNARD		2006/01/12		dwg no	
								enr		MITHUN PAUL		2013/07/11		sheet 1 of 1	
								chr		MITHUN PAUL		2013/07/11		size 5	
								appd		BIJU K PAUL		2013/07/11		A3	
sheet index		revision		C										type	
1		1												Product Customer Drawing	