



Chipsmall Limited consists of a professional team with an average of over 10 year of expertise in the distribution of electronic components. Based in Hongkong, we have already established firm and mutual-benefit business relationships with customers from,Europe,America and south Asia,supplying obsolete and hard-to-find components to meet their specific needs.

With the principle of “Quality Parts,Customers Priority,Honest Operation,and Considerate Service”,our business mainly focus on the distribution of electronic components. Line cards we deal with include Microchip,ALPS,ROHM,Xilinx,Pulse,ON,Everlight and Freescale. Main products comprise IC,Modules,Potentiometer,IC Socket,Relay,Connector.Our parts cover such applications as commercial,industrial, and automotives areas.

We are looking forward to setting up business relationship with you and hope to provide you with the best service and solution. Let us make a better world for our industry!



Contact us

Tel: +86-755-8981 8866 Fax: +86-755-8427 6832

Email & Skype: info@chipsmall.com Web: www.chipsmall.com

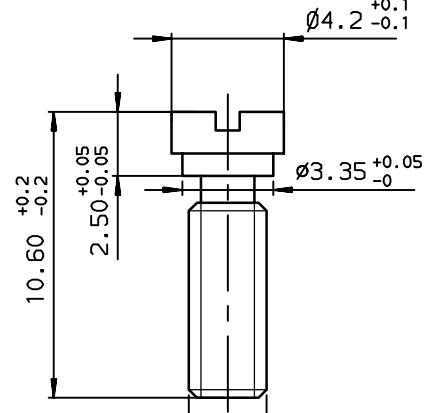
Address: A1208, Overseas Decoration Building, #122 Zhenhua RD., Futian, Shenzhen, China



SHELL	PART NUMBERS	A ±0.25	B ±0.15	C ±0.25	D ±0.25	E ±0.05 ±0.40	F ±0.25	G ±0.25	Packaging
25	86552220T	57.75	49.55	43.40	50.70	12.50	8.65	9.85	1 piece
25	86552220TLF	57.75	49.55	43.40	50.70	12.50	8.65	9.85	1 piece

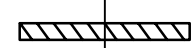
MATERIAL:
Metal plate:stainless steel
Screw,nut and washer:steel

SCREW THREAD UNC 4.40 (Nb: 2)

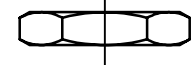


4.40 NC 2A SELLERS

LOOKING WASHER (Nb: 2)

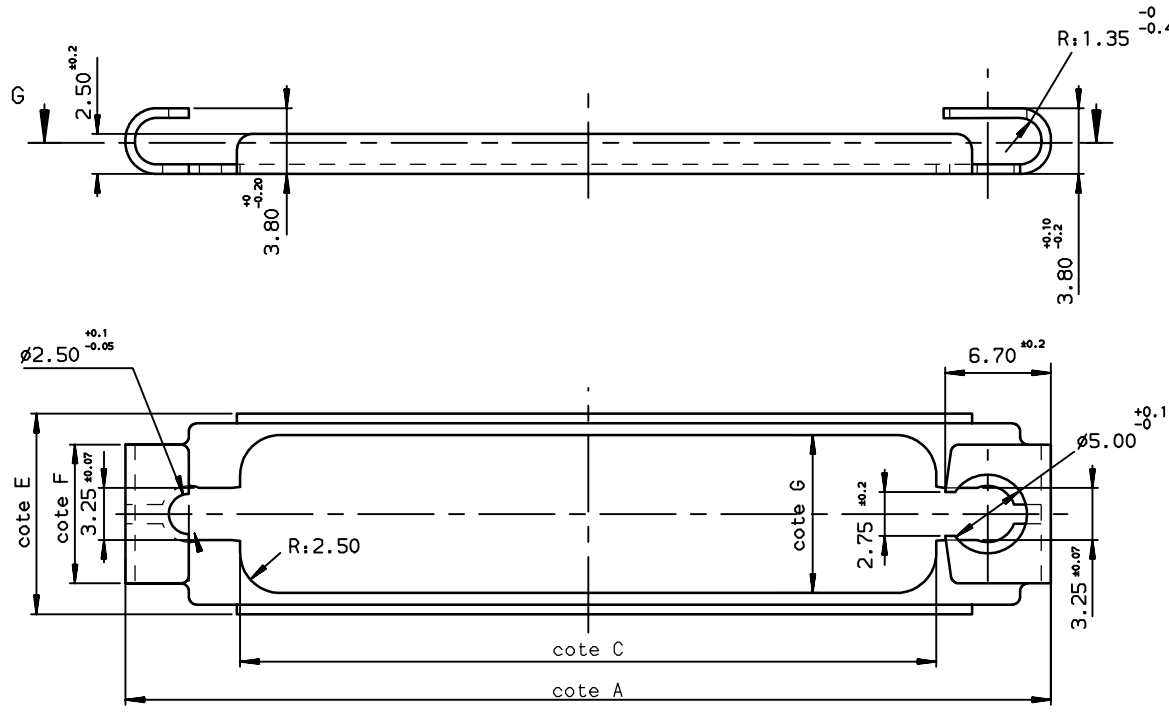


NUT (Nb: 2)

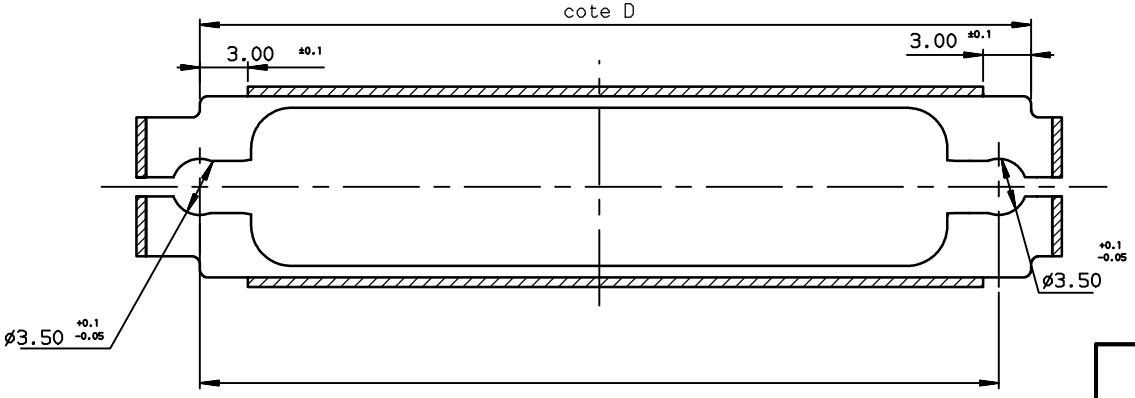


NOTE:RoHS INFORMATIONS

- The "LF" products meet European union Directives and other country regulations as described in GS-22-008.
- Plating :zinc cr3 white or transparent color
- Packaging spec: see GS-14-920



COUPE GG



European Views

www.fciconnect.com		surface ISO 1302	tolerance std ISO 406 ISO 1101	projection ISO 1101	mm
TOLERANCES UNLESS OTHERWISE SPECIFIED					
Dr	JARRY	2003/08/27	ANGULAR	LINEAR	size
Eng	LEGARE	2003/08/27	0.X	±0.1	A3
Chr	LEGARE	2003/08/27	0.XX	±0.1	Scale
Appr	LEGARE	2003/08/27	0.XX' ±2'	0.XXX	3
Product family				D-SUB	ECN L506-0097
Title				SLIDE LOCKS	Spec ref -
REINFORCED PLATE				REINFORCED PLATE	Rev.
catalog no				C01-8655-1585	D
CUSTOMER				sheet 1 of 1	

rev	ecn no	dr	date
A	-	CJA	2003/08/27
B	LS05-0026	MPE	2005/07/25
C	LS06-0041	MPE	2006/03/20
D	LS06-0097	LGO	2006/07/28
-	-	-	-
-	-	-	-
-	-	-	-

Copyright FCI.