



Chipsmall Limited consists of a professional team with an average of over 10 year of expertise in the distribution of electronic components. Based in Hongkong, we have already established firm and mutual-benefit business relationships with customers from,Europe,America and south Asia,supplying obsolete and hard-to-find components to meet their specific needs.

With the principle of "Quality Parts,Customers Priority,Honest Operation,and Considerate Service",our business mainly focus on the distribution of electronic components. Line cards we deal with include Microchip,ALPS,ROHM,Xilinx,Pulse,ON,Everlight and Freescale. Main products comprise IC,Modules,Potentiometer,IC Socket,Relay,Connector.Our parts cover such applications as commercial,industrial, and automotives areas.

We are looking forward to setting up business relationship with you and hope to provide you with the best service and solution. Let us make a better world for our industry!



## Contact us

Tel: +86-755-8981 8866 Fax: +86-755-8427 6832

Email & Skype: info@chipsmall.com Web: www.chipsmall.com

Address: A1208, Overseas Decoration Building, #122 Zhenhua RD., Futian, Shenzhen, China

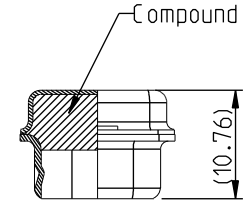
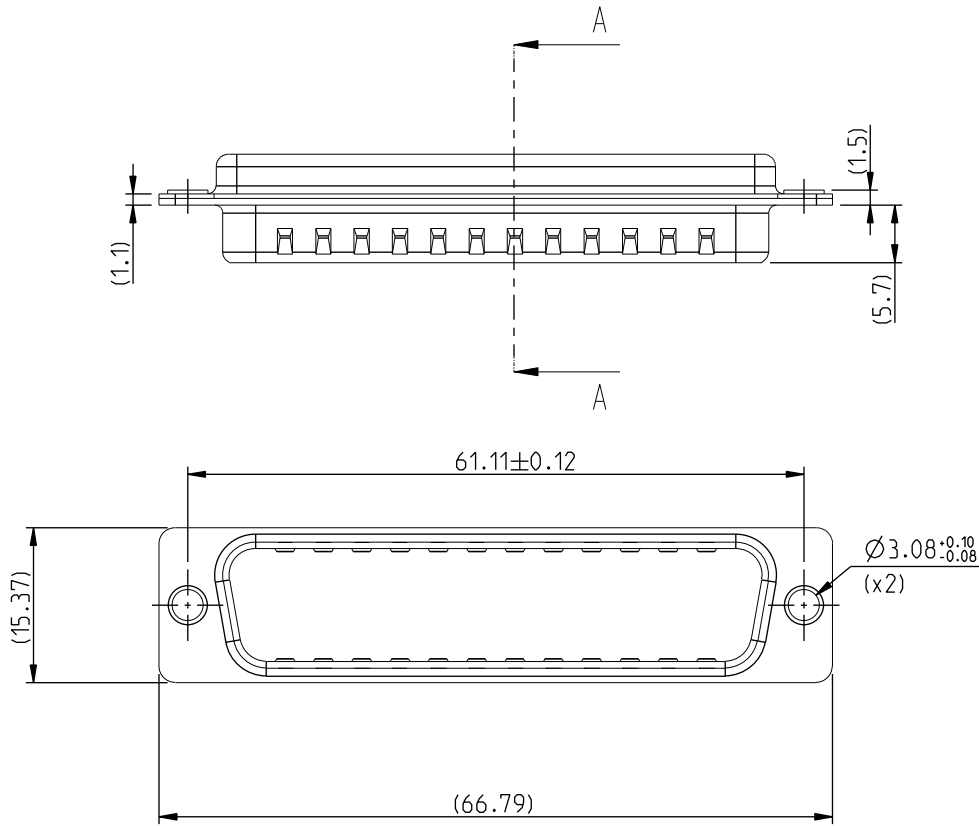


FCI CONFIDENTIAL



This document is the property of and embodies CONFIDENTIAL and PROPRIETARY information of FCI. No part of the information shown on this document may be used in any way or disclosed to others without the written consent of FCI. Copyright FCI.

PART-NUMBER	Plating
86553142	Cadmium
86553142TLF	Lead Free Tin



SECTION A-A

**NOTE: RoHS INFORMATIONS**

- The "LF" product meets European union Directives and other country regulations as described in GS-22-008.
- The product is not intended to be exposed to a manufacturing solder process.
- Packaging spec: see GS-14-920.

Rev	ecn no	dr	date
A	LS-0144	MPE	2007-05-23
B	F09-0207	LSA	2009-10-22
C	F10-0201	LSA	2010-09-01
-	-	-	-
-	-	-	-
-	-	-	-

Material	STEEL	Spec ref	/		
Mat code	-	surface	-	tolerance	projection
Heatreat	-		✓	ISO 406	mm
Plating/Finish	See table		ISO 1302	ISO 1101	
Dr	PESSON	2007-05-23	Product family		size
Eng	PESSON	2007-05-23	D-SUB		A3
Chr	LEGARE	2007-05-23	Model Name		Scale
Appr	LEGARE	2007-05-23	8655-3142		2:1
			Model Revision	1	REL Level
					CONCEPT
FCI		Title	SHELL SIZE 50		Rev.
			MALE METAL CAP IP65		C
Pro/E file	catalog no		dwg no	C01-8655-1681	
				CUSTOMER	sheet 1 of 1

REV E - 2006-03-28