



Chipsmall Limited consists of a professional team with an average of over 10 year of expertise in the distribution of electronic components. Based in Hongkong, we have already established firm and mutual-benefit business relationships with customers from,Europe,America and south Asia,supplying obsolete and hard-to-find components to meet their specific needs.

With the principle of "Quality Parts,Customers Priority,Honest Operation,and Considerate Service",our business mainly focus on the distribution of electronic components. Line cards we deal with include Microchip,ALPS,ROHM,Xilinx,Pulse,ON,Everlight and Freescale. Main products comprise IC,Modules,Potentiometer,IC Socket,Relay,Connector.Our parts cover such applications as commercial,industrial, and automotives areas.

We are looking forward to setting up business relationship with you and hope to provide you with the best service and solution. Let us make a better world for our industry!



Contact us

Tel: +86-755-8981 8866 Fax: +86-755-8427 6832

Email & Skype: info@chipsmall.com Web: www.chipsmall.com

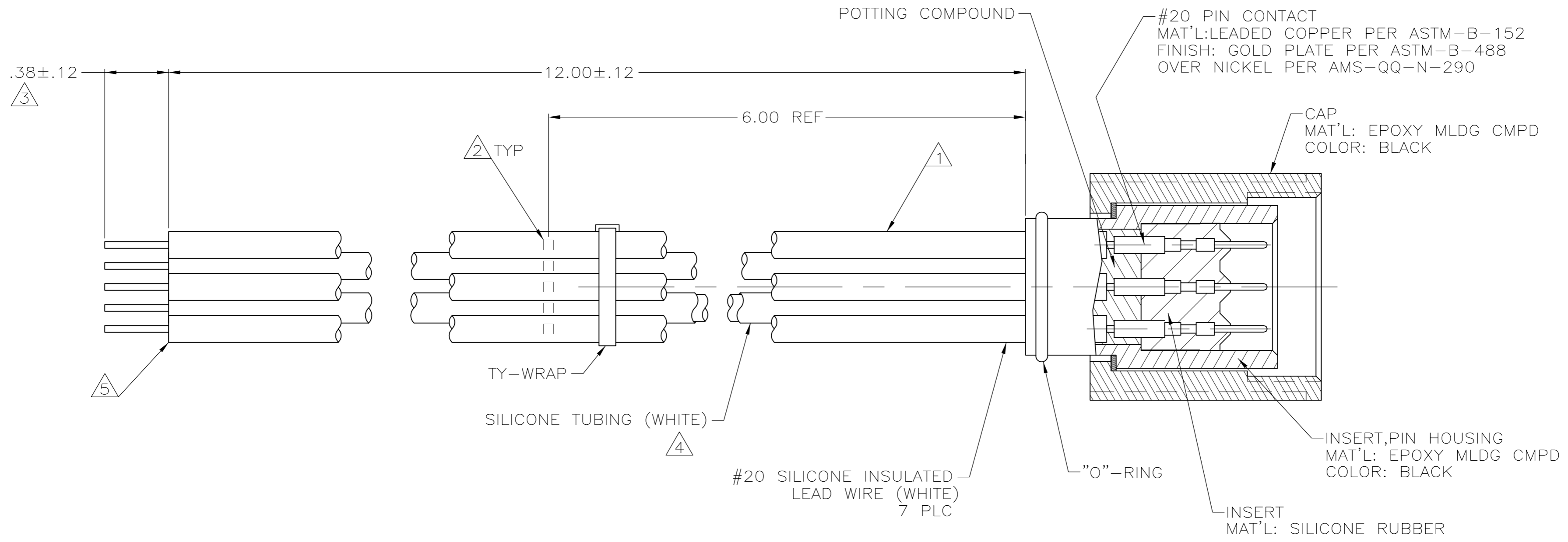
Address: A1208, Overseas Decoration Building, #122 Zhenhua RD., Futian, Shenzhen, China



THIS DRAWING IS UNPUBLISHED. RELEASED FOR PUBLICATION - N/A .
 © COPYRIGHT N/A By - ALL RIGHTS RESERVED.

LOC	DIST	REVISIONS					
DF	S0	P	LTR	DESCRIPTION	DATE	DWN	APVD
		D		REV PER ECO-12-005082	15MAR12	PY	DE

- ① AMP INFORMATION MARKED PER MIL-STD-130 ON LEAD FROM PIN #3.
- ② PIN NUMBER MARKED ON LEAD PER MIL-STD-130.
- ③ PIGTAILS ARE SOLDER DIPPED. (865586-1 ONLY)
- ④ SILICONE TUBING ON LEAD #3 ONLY.
- ⑤ INSULATION CUT, BUT NOT REMOVED. (5-865586-1 ONLY)



5-865586-1
 865586-1
 PART NO.

THIS DRAWING IS A CONTROLLED DOCUMENT.		DWN C.C.THOMAS 26-MAR-92	STE TE Connectivity	
DIMENSIONS: INCHES [mm]		CHK D.EABY 20-APR-92		
TOLERANCES UNLESS OTHERWISE SPECIFIED:		APVD D.EABY 20-APR-92	NAME PLUG ASSY 7 POSN LGH	
0 PLC ± -		PRODUCT SPEC	SIZE A2	
1 PLC ± -		APPLICATION SPEC	CAGE CODE 00779	DRAWING NO 865586
2 PLC ± -		WEIGHT	RESTRICTED TO	
3 PLC ± -		FINISH	SCALE 2:1	
4 PLC ± -		SEE CALLOUTS	SHEET 1 of 1	
ANGLES ± -		REV D		
MATERIAL SEE CALLOUTS		CUSTOMER DRAWING		