



Chipsmall Limited consists of a professional team with an average of over 10 year of expertise in the distribution of electronic components. Based in Hongkong, we have already established firm and mutual-benefit business relationships with customers from,Europe,America and south Asia,supplying obsolete and hard-to-find components to meet their specific needs.

With the principle of “Quality Parts,Customers Priority,Honest Operation,and Considerate Service”,our business mainly focus on the distribution of electronic components. Line cards we deal with include Microchip,ALPS,ROHM,Xilinx,Pulse,ON,Everlight and Freescale. Main products comprise IC,Modules,Potentiometer,IC Socket,Relay,Connector.Our parts cover such applications as commercial,industrial, and automotives areas.

We are looking forward to setting up business relationship with you and hope to provide you with the best service and solution. Let us make a better world for our industry!



## Contact us

Tel: +86-755-8981 8866 Fax: +86-755-8427 6832

Email & Skype: info@chipsmall.com Web: www.chipsmall.com

Address: A1208, Overseas Decoration Building, #122 Zhenhua RD., Futian, Shenzhen, China



SIZE	Part Num.	Threading	Headscrew	Packaging
25	8655MH2501BLF	UNC 4.40	Black	BULK (see note 1)
	8655MH2501BKLF	UNC 4.40	Black	KIT (see note 2)
	8655MH2502BLF	M3	Grey	BULK
	8655MH2502BKLF	M3	Grey	KIT

NOTES:

Material and finish: Zinc die-cast  
Nickel plated

Cable strain relief: Polycarbonate (UL94V-0)

Jackscrews:

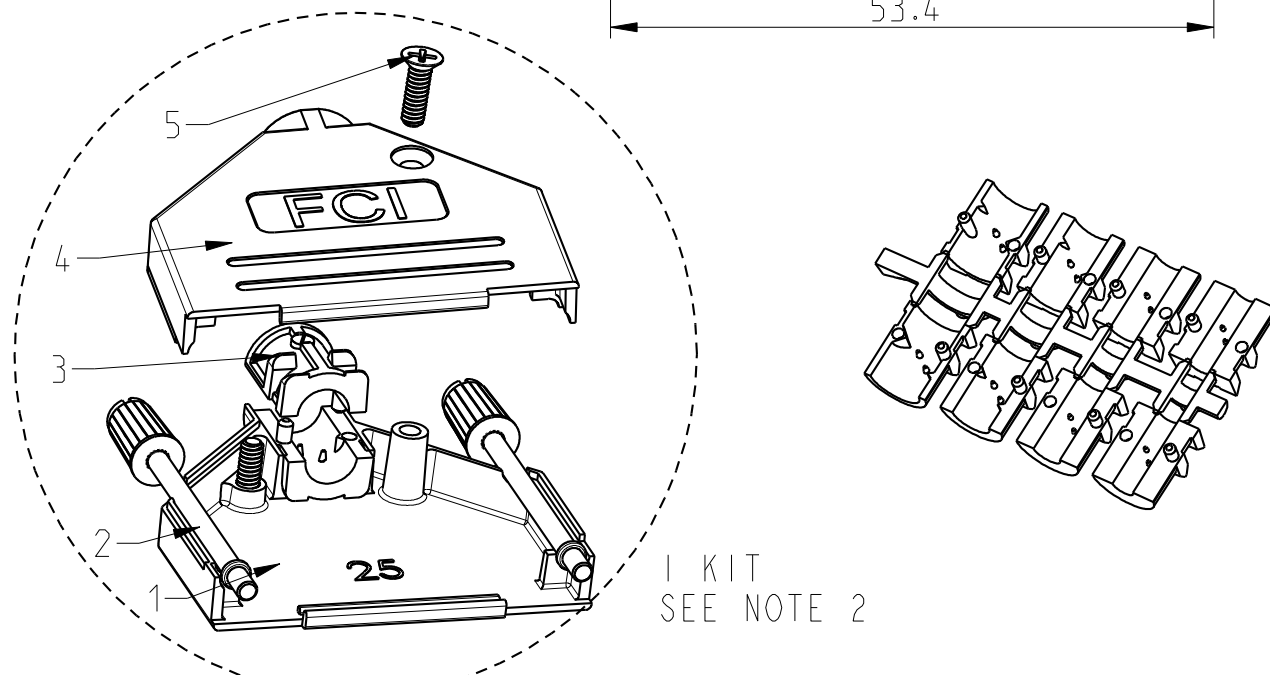
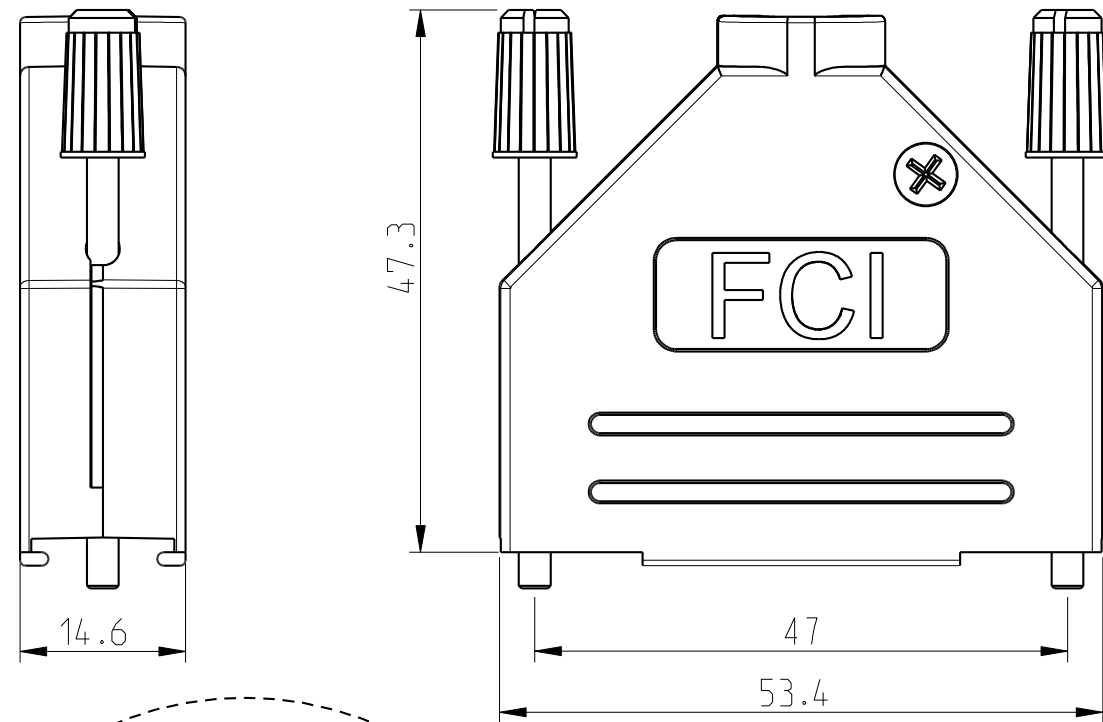
- Headscrew : plastic, color according threading
- Body : metal, threading according tables

Temperature range: -40°C to 120°C  
Cable diameter: 4,0 to 13,0mm  
Attenuation factor: >40 dB between 30MHz and 1 GHz  
Marking FCI logo: Height 6 mm for all versions

Covers screwing force (max): 100 Ncm  
Jackscrew screwing force (max): 50 Ncm

Packaging notes (see tables):

- 1 - Bulk : Every spare part packaged per 100 or 200 into plastic bag.5 plastic bags per carton box. 1 plastic bag per part.
- 2 - Kit : 1 set of spare parts necessary to realise 1 kit into a plastic bag. 100 plastic bags per carton box.



NOTE:RoHS INFORMATIONS

- The "LF" product meets European union Directives and other country regulations as described in GS-22-008.
- The product is not intended to be exposed to a manufacturing solder process.
- Packaging spec: see GS-14-920.

Amphenol FCI

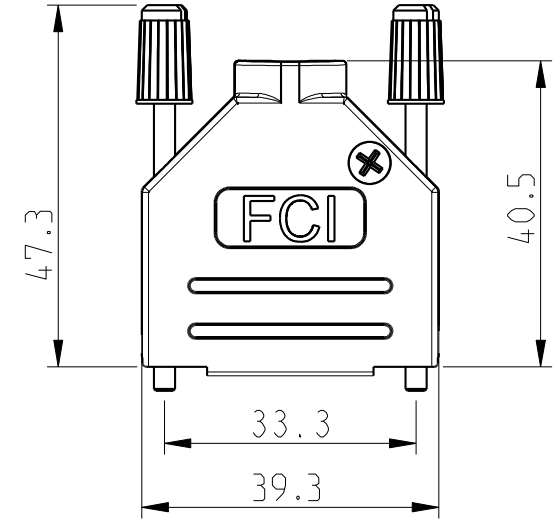
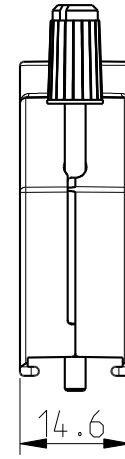
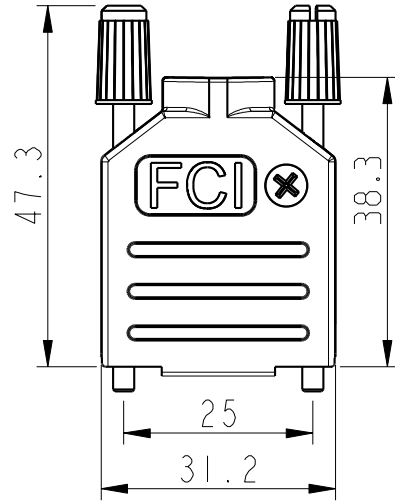
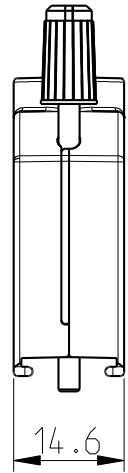
© 2016 AFCI

DESIGNATION	REP.	09	15	25	37
COVER BOTTOM	1			1	
JACKSCREW	2			2	
STRAIN RELIEF	3			2	
COVER TOP	4			1	
SCREW POZIDRIVE	5			2	

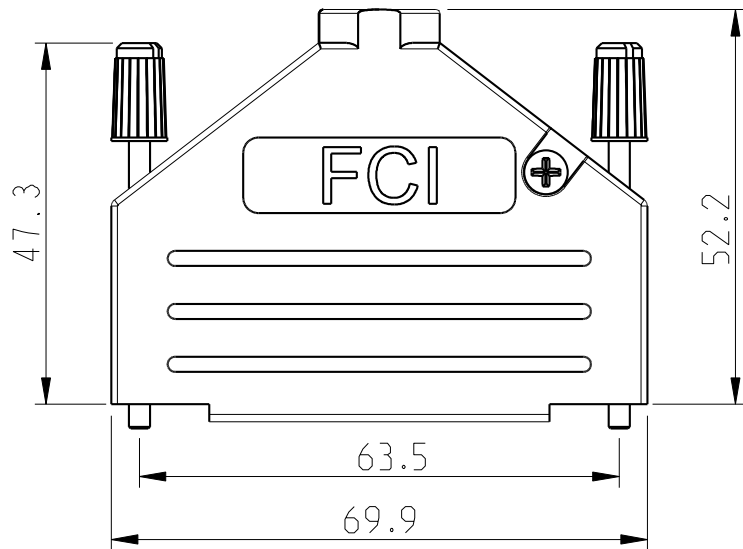
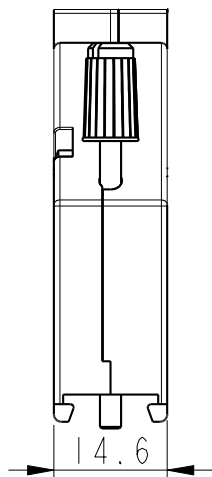
spec ref	dr	A Parrenin	2009/05/20	projection	mm	size	A3	scale	3:2
tolerance std	eng	D Detouillon	2017/01/16			ecn no	ELX-F-25931-1	rel level	Released
ISO 406 ISO 1101	chr	J Dallbard	2017/01/16						
surface	linear		0.X	±/	<b>Amphenol FCI</b> D-SUB METAL HOODS STRAIGHT	dwg no	10085962	rev	F
			0.XXX	±/					
ISO 1302	angular	0°	±/°	www.fci.com	cat. no.	Product - Customer Drw		sheet 1 of 3	

SIZE	Part Num.	Threading	Headscrew	Packaging
09	8655MH0901BLF	UNC 4.40	Black	BULK (see note 1)
	8655MH0901BKLF	UNC 4.40	Black	KIT (see note 2)
	8655MH0902BLF	M3	Grey	BULK
	8655MH0902BKLF	M3	Grey	KIT

SIZE	Part Num.	Threading	Headscrew	Packaging
15	8655MH1501BLF	UNC 4.40	Black	BULK (see note 1)
	8655MH1501BKLF	UNC 4.40	Black	KIT (see note 2)
	8655MH1502BLF	M3	Grey	BULK
	8655MH1502BKLF	M3	Grey	KIT



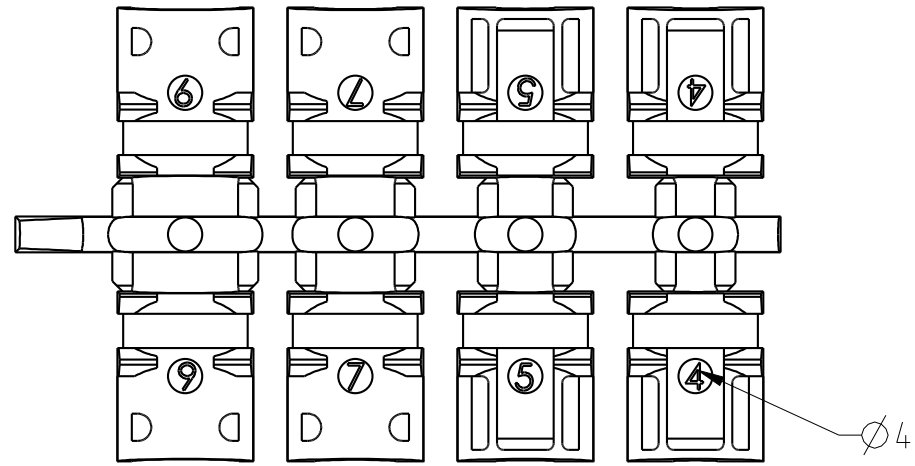
SIZE	Part Num.	Threading	Headscrew	Packaging
37	8655MH3701BLF	UNC 4.40	Black	BULK (see note 1)
	8655MH3701BKLF	UNC 4.40	Black	KIT (see note 2)
	8655MH3702BLF	M3	Grey	BULK
	8655MH3702BKLF	M3	Grey	KIT



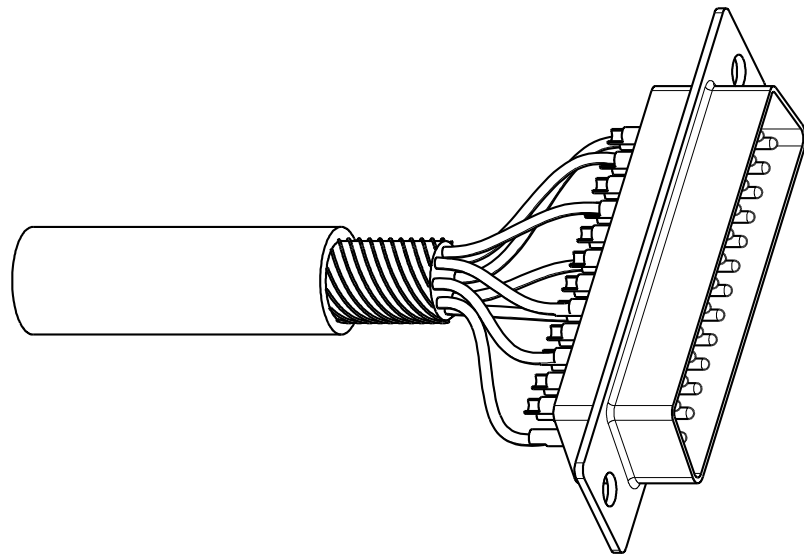
spec ref	dr	A Parrenin	2009/05/20	projection	mm	size	A3	scale	1:1
tolerance std	eng	D Detouillon	2017/01/16			ecn no	ELX-F-25931-1		
ISO 406 ISO 1101	chr	J Dallbard	2017/01/16			rel level	Released		
surface	appr	Aymeric Soudy	2017/01/17	product family		dwg no	10085962		rev
ISO 1302	linear	<b>Amphenol FCI</b> D-SUB METAL HOODS STRAIGHT www.fci.com		cat. no.		Product - Customer Drw		sheet 2 of 3	
	angular	0.X	±/						F
		0.XX	±/						
		0.XXX	±/						
		0°	±/°						

CABLING INSTRUCTIONS FOR CABLE Ø 4, 5, 7 or 9 mm

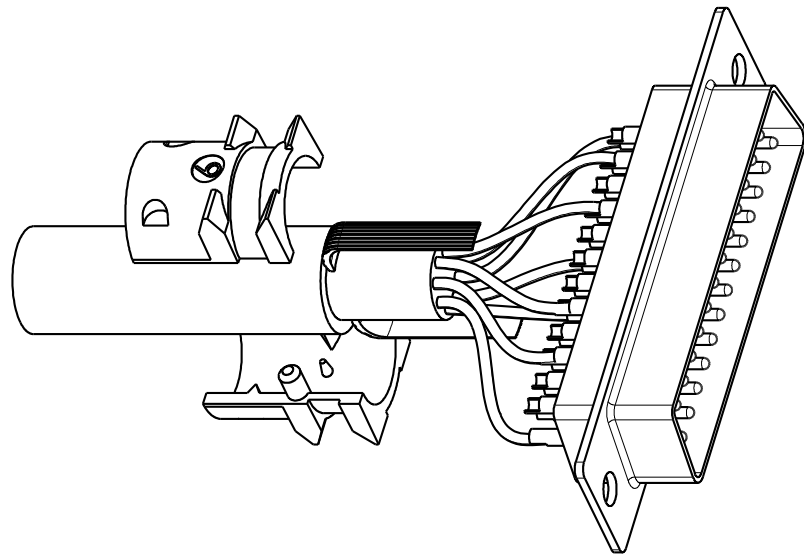
1- Use two halves of strain relief, different sizes can be mixed (Ø4,5,7 or 9)



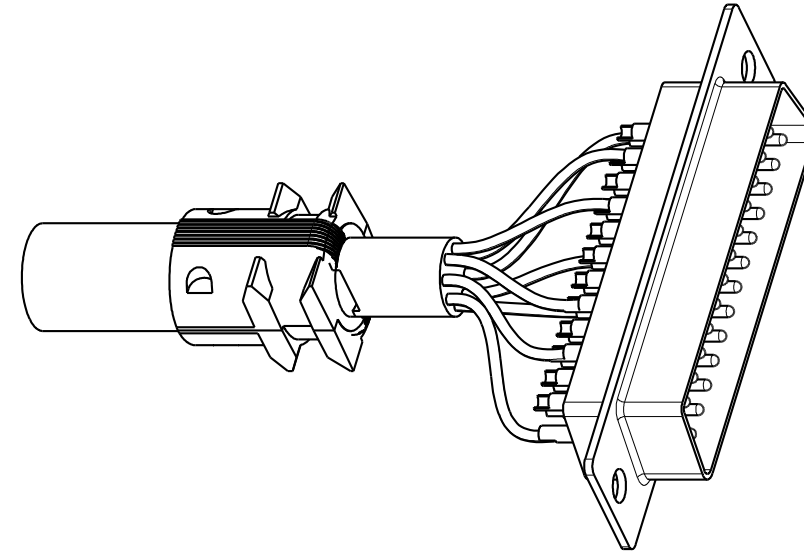
2- Strip cable 18mm and shape to two pigtails



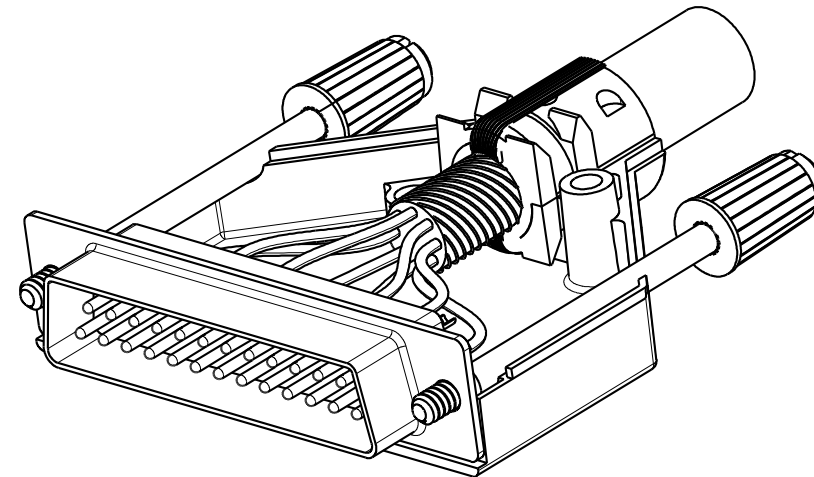
3- Attach the strain relief around the cable



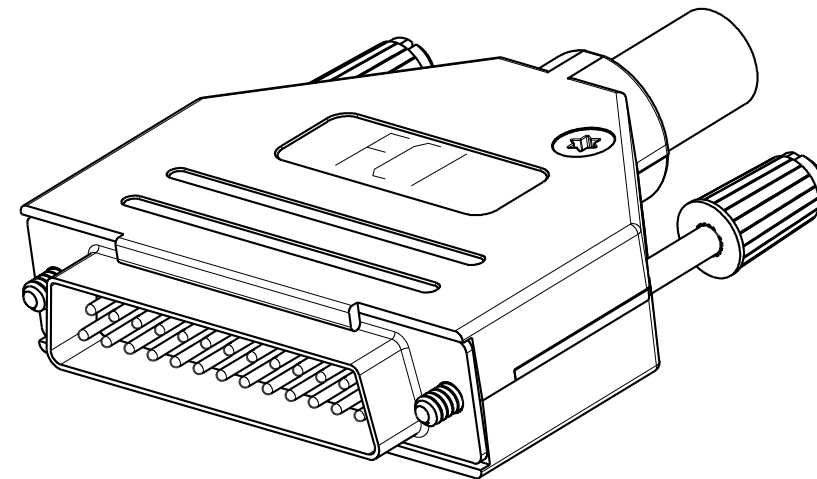
4- Bend cable shielding back on outside of strain relief



5- Mount connector and cable into the backshell



6- Assemble the other half screwing force: 100 Ncm



Amphenol  
FCi

© 2016 AFCI

CABLING INSTRUCTIONS FOR CABLE

Ø > 9 to 11 mm

1- Use one half of strain relief, (Ø9).

spec ref	dr <b>A Parrenin</b> 2009/05/20			projection	mm	size A3	scale 3:2
tolerance std ISO 406 ISO 1101	eng <b>D Detouillon</b> 2017/01/16					ecn no <b>ELX-F-25931-1</b>	
GENERAL TOLERANCES: ISO 2768-m		chr <b>J Dallbard</b> 2017/01/16				rel level <b>Released</b>	
surface	linear	0.X	±/	<b>Amphenol FCI</b> D-SUB METAL HOODS STRAIGHT	product family	dwg no 10085962	rev <b>F</b>
	ISO 1302	angular	0°				
www.fci.com				cat. no.	Product - Customer Drw		sheet 3 of 3