



Chipsmall Limited consists of a professional team with an average of over 10 year of expertise in the distribution of electronic components. Based in Hongkong, we have already established firm and mutual-benefit business relationships with customers from,Europe,America and south Asia,supplying obsolete and hard-to-find components to meet their specific needs.

With the principle of "Quality Parts,Customers Priority,Honest Operation,and Considerate Service",our business mainly focus on the distribution of electronic components. Line cards we deal with include Microchip,ALPS,ROHM,Xilinx,Pulse,ON,Everlight and Freescale. Main products comprise IC,Modules,Potentiometer,IC Socket,Relay,Connector.Our parts cover such applications as commercial,industrial, and automotives areas.

We are looking forward to setting up business relationship with you and hope to provide you with the best service and solution. Let us make a better world for our industry!



Contact us

Tel: +86-755-8981 8866 Fax: +86-755-8427 6832

Email & Skype: info@chipsmall.com Web: www.chipsmall.com

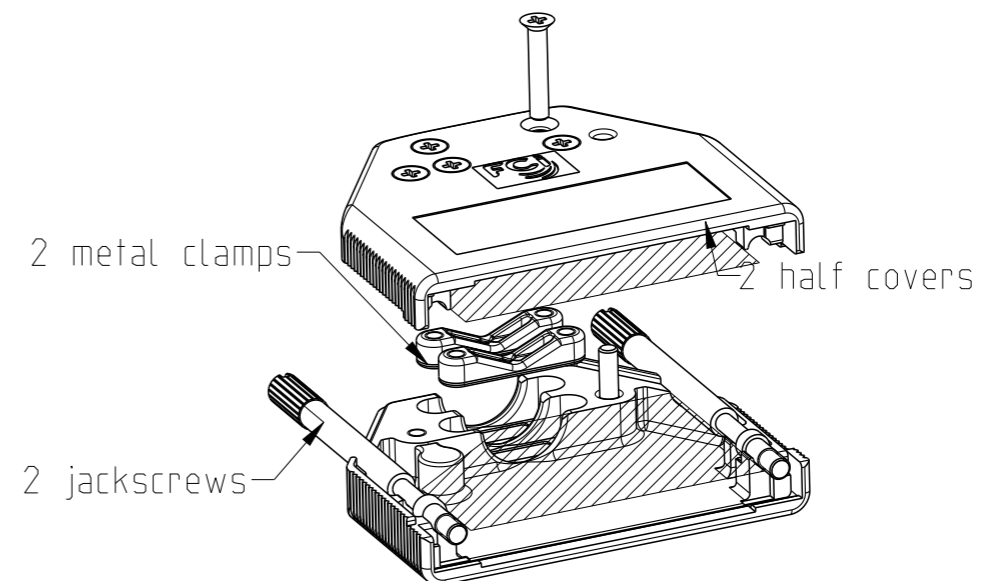
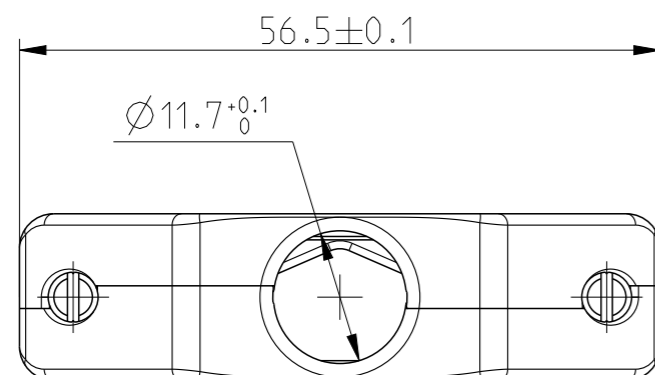
Address: A1208, Overseas Decoration Building, #122 Zhenhua RD., Futian, Shenzhen, China



SIZE	Part Number	Jack Screw Thread	Packing
25	8655MH2501LF	UNC 4-40	bulk : Qty 60
	8655MH2511LF		individual set 50 sets/carton
	8655MH2502LF	M3	bulk : Qty 60
	8655MH2512LF		individual set 50 sets/carton

NOTE:RoHS INFORMATIONS

-The LF product meets European union Directives and other country regulations as described in GS-22-009
 -The product is not intended to be exposed to a manufacturing solder process
 -Packaging spec:see GS-14-920

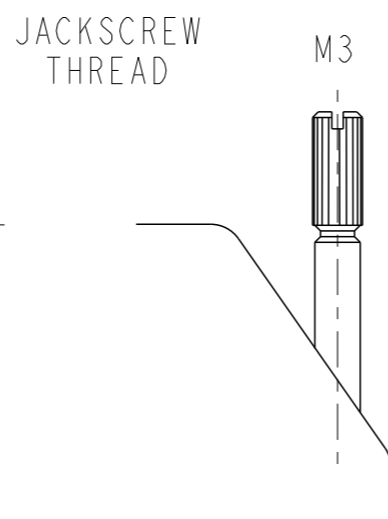
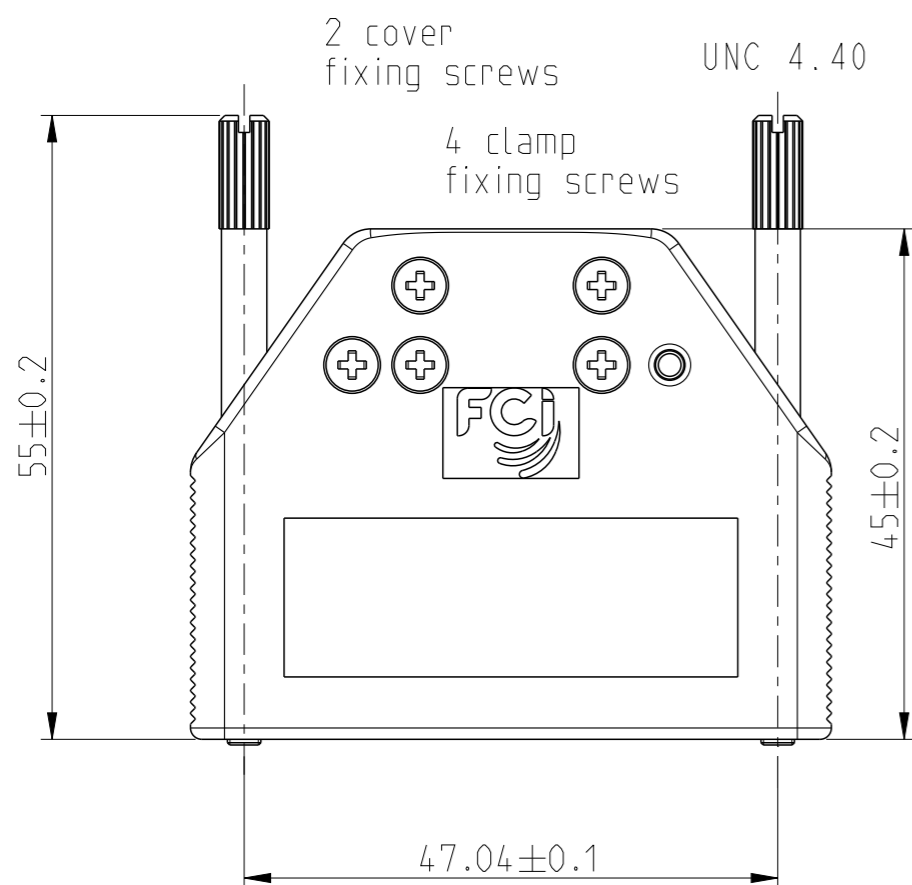


SCALE 1:1

NOTES : for every sizes

Material and finish : Zinc die-cast
 nickel plated
 Cable strain relief : Zinc die-cast
 Jackscrew : Brass, nickel plated
 UNC 4-40 or M3 (see tables)
 Temperature range : -55°C to +125°C
 Attenuation factor : >40 dB between 10 MHz

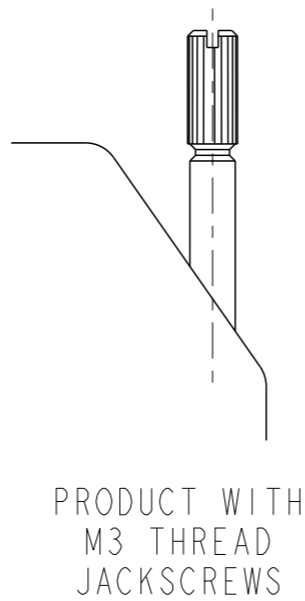
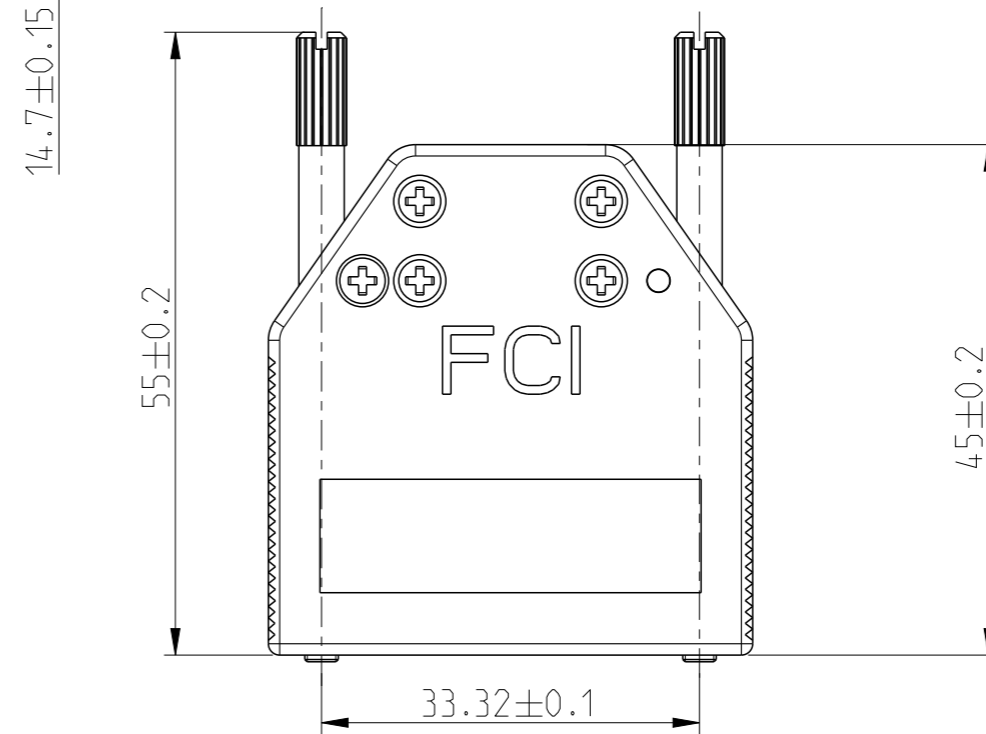
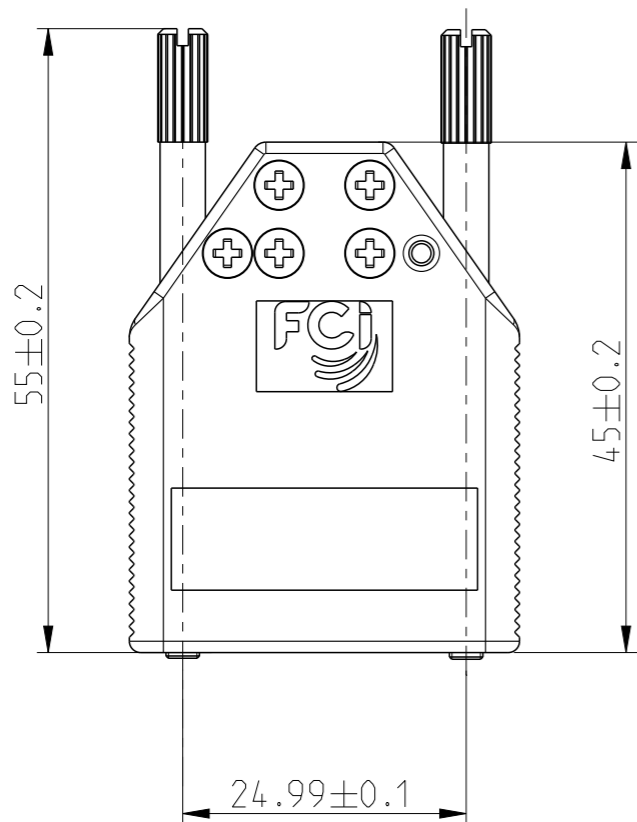
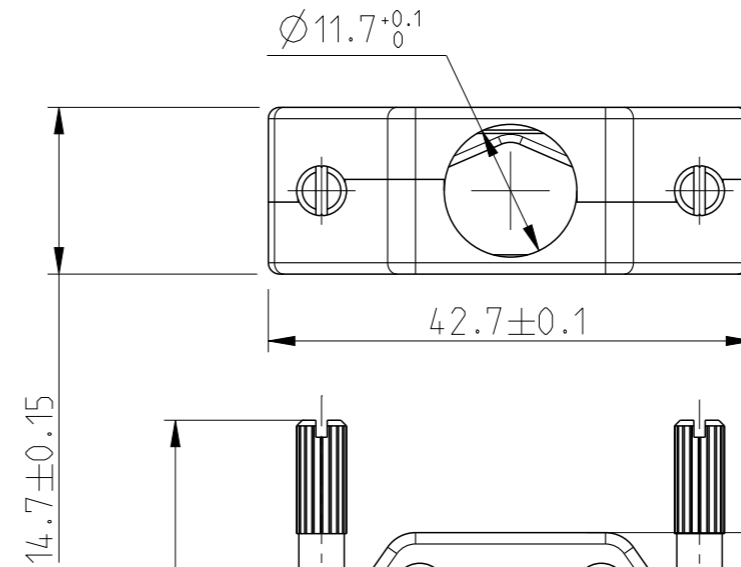
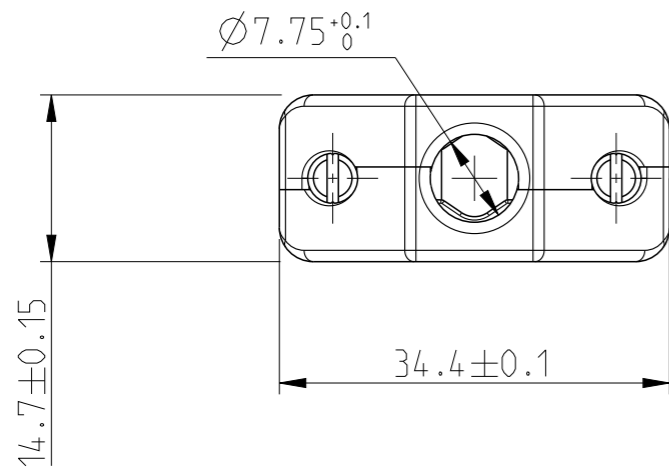
Other size details : see on next pages.



spec ref	dr	A Parrenin	2009/05/20	projection	mm	size	A3	scale	3:2
tolerance std	eng	J Dalibard	2015/09/10			ecn no	ELX-B-20414-1		
ISO 406 ISO 1101	chr	J Dalibard	2015/09/10				rel level	Released	
surface	linear	0.X	±/		product family -	dwg no	C-8655-1685C		rev
		0.XX	±/				D		
ISO 1302	angular	0°	±/°	www.fci.com	cat. no.	-	Product - Customer Drw	sheet 1 of 4	

SIZE	Part Number	Jack Screw Thread	Packing
09	8655MH0901LF	UNC 4-40	bulk : Qty 80
	8655MH0911LF		individual set 50 sets/carton
	8655MH0902LF	M3	bulk : Qty 80
	8655MH0912LF		individual set 50 sets/carton

SIZE	Part Number	Jack Screw Thread	Packing
15	8655MH1501LF	UNC 4-40	bulk : Qty 80
	8655MH1511LF		individual set 50 sets/carton
	8655MH1502LF	M3	bulk : Qty 80
	8655MH1512LF		individual set 50 sets/carton



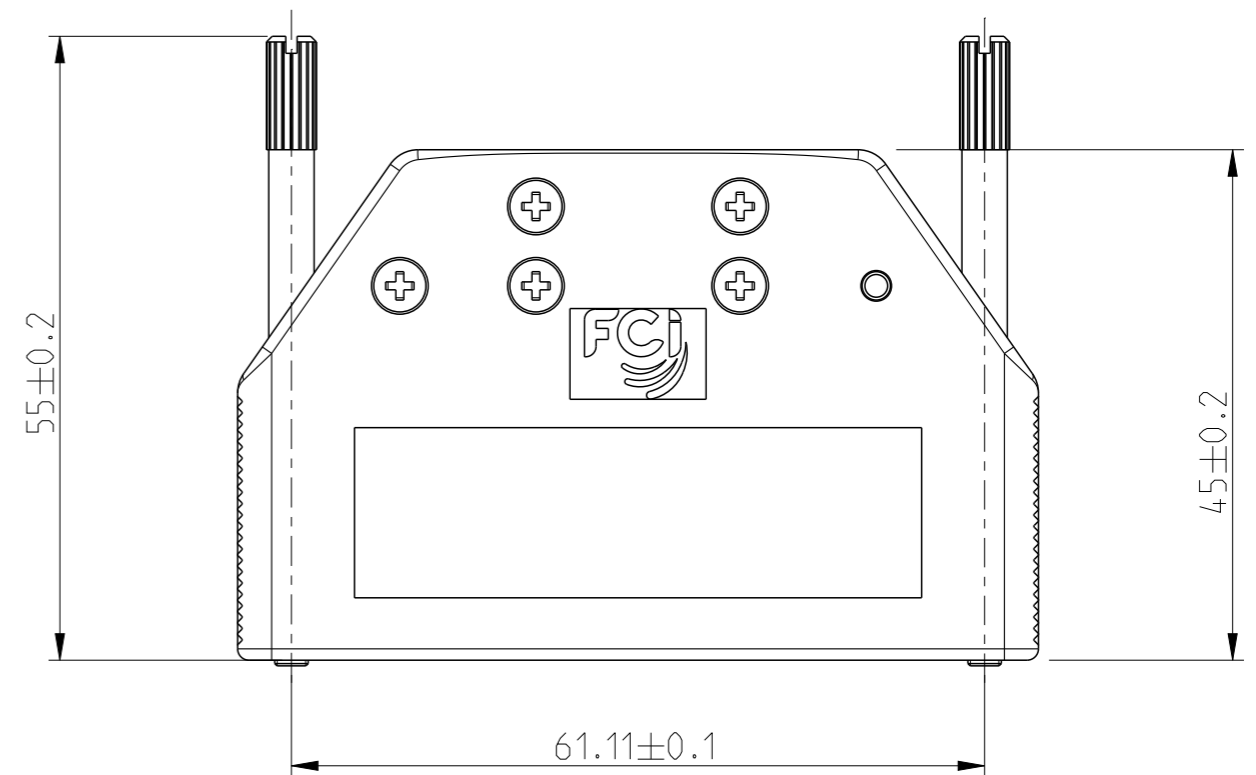
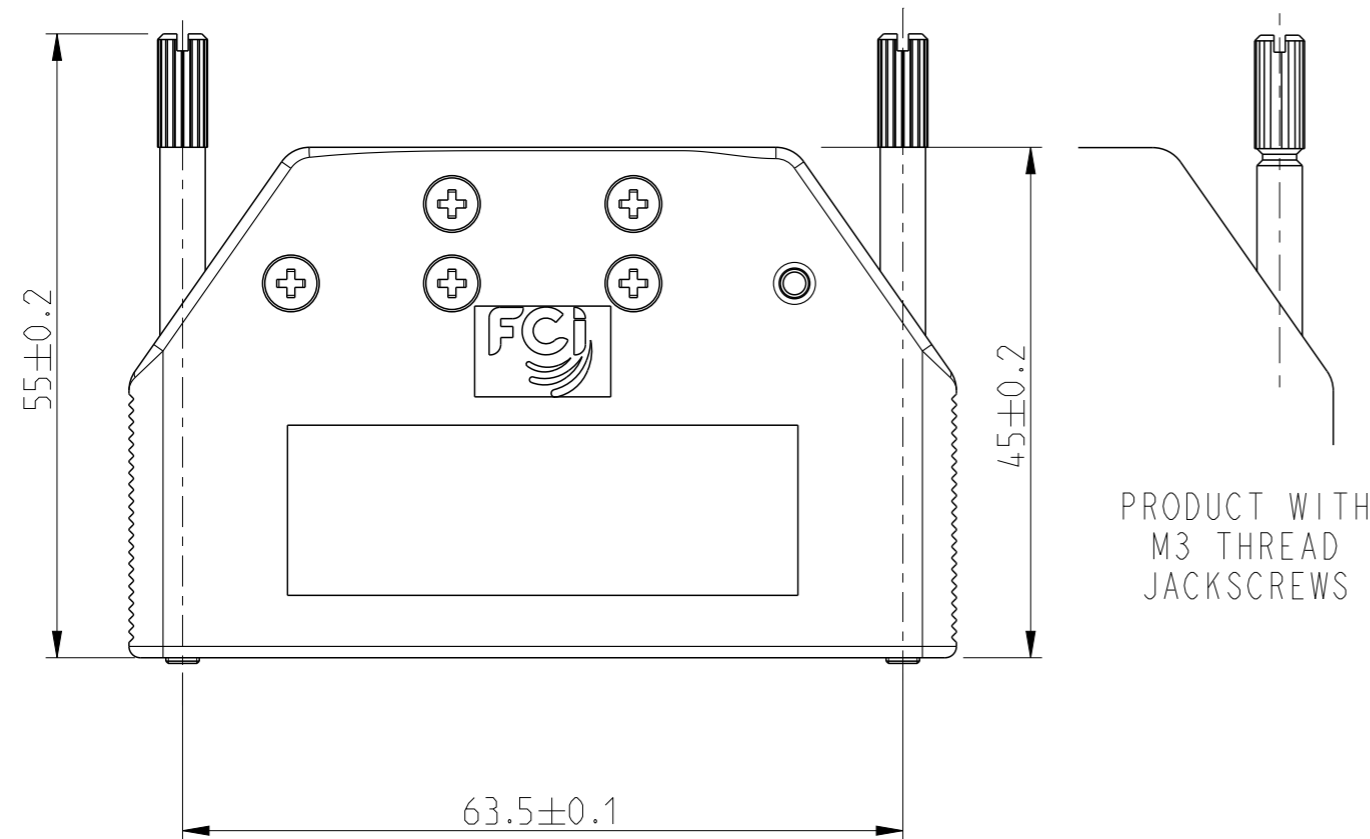
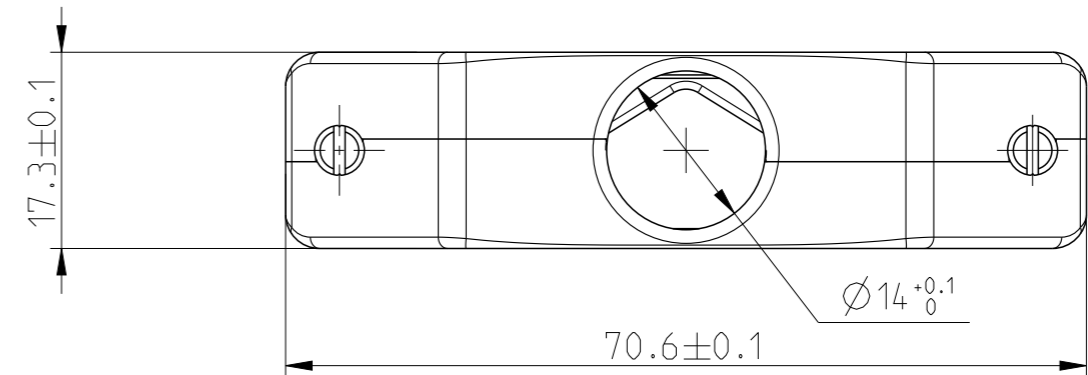
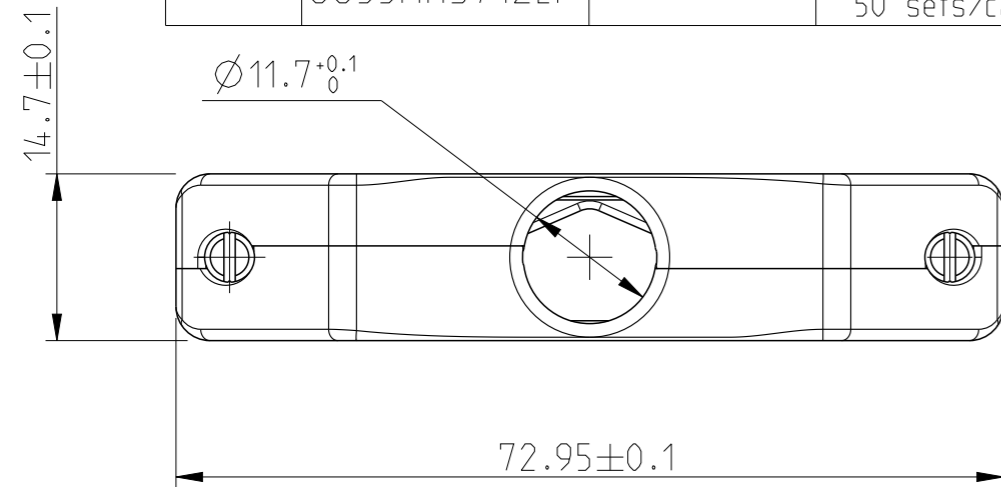
spec ref	dr	A Parrenin	2009/05/20	projection	mm	size	A3	scale	3:2
tolerance std	eng	J Dalibard	2015/09/10			ecn no	ELX-B-20414-1	rel level	Released
ISO 406 ISO 1101	chr	J Dalibard	2015/09/10						
surface	appr	Aymeric Soudy	2015/09/11			rel level	Released	dwg no	C-8655-1685C
ISO 1302	linear	TOLERANCES UNLESS OTHERWISE SPECIFIED 0.X ±/ 0.XX ±/ 0.XXX ±/		www.fci.com		cat. no.	-	Product - Customer Drw	sheet 2 of 4
	angular	0° ±/°		STRAIGHT METAL HOODS WITH 2 METAL CLAMPS		rev	D		



Copyright FCI.

SIZE	Part Number	Jack Screw Thread	Packing
37	8655MH3701LF	UNC 4-40	bulk : Qty 40
	8655MH3711LF		individual set 50 sets/carton
	8655MH3702LF	M3	bulk : Qty 40
	8655MH3712LF		individual set 50 sets/carton

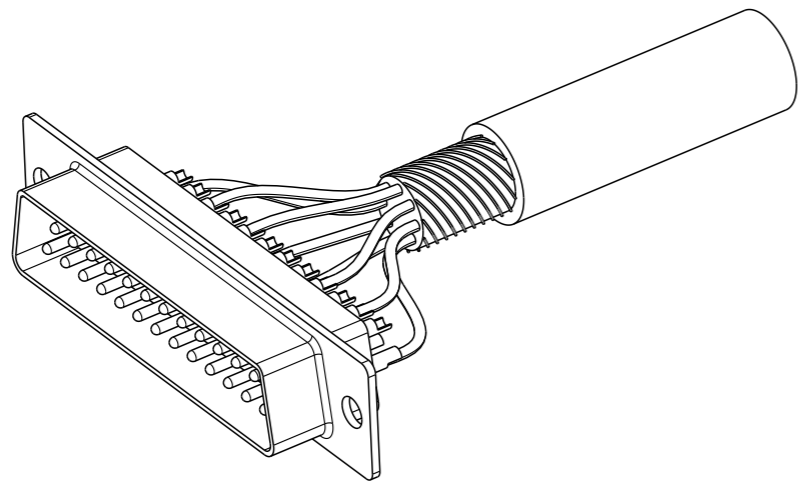
SIZE	Part Number	Jack Screw Thread	Packing
50	8655MH5001LF	UNC 4-40	bulk : Qty 40
	8655MH5011LF		individual set 50 sets/carton
	8655MH5002LF	M3	bulk : Qty 40
	8655MH5012LF		individual set 50 sets/carton



spec ref	dr	A Parrenin	2009/05/20	projection	mm	size	A3	scale	3:2
tolerance std	eng	J Dalbard	2015/09/10			ecn no	ELX-B-20414-1	rel level	Released
ISO 406 ISO 1101	chr	J Dalbard	2015/09/10						
surface	linear	0.X	±/		title STRAIGHT METAL HOODS WITH 2 METAL CLAMPS	dwg no C-8655-1685C	rev D	Product - Customer Drw	
		0.XX	±/					cat. no.	-
ISO 1302	angular	0°	±/°	www.fci.com					

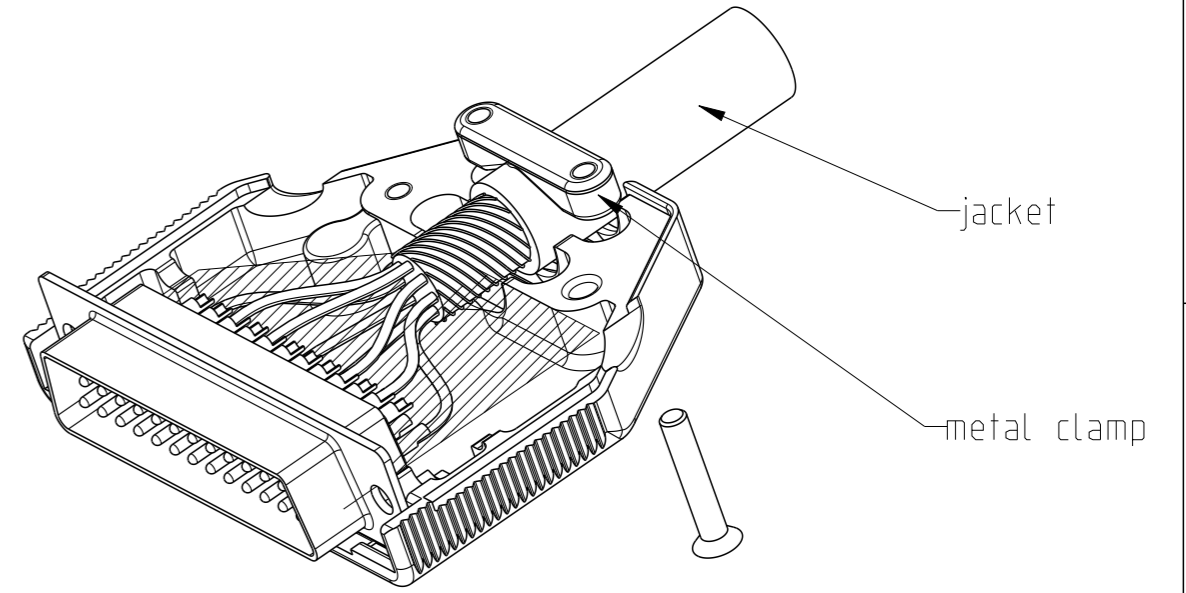
CABLING INSTRUCTIONS

1- Strip the cable and solder or crimp the wires



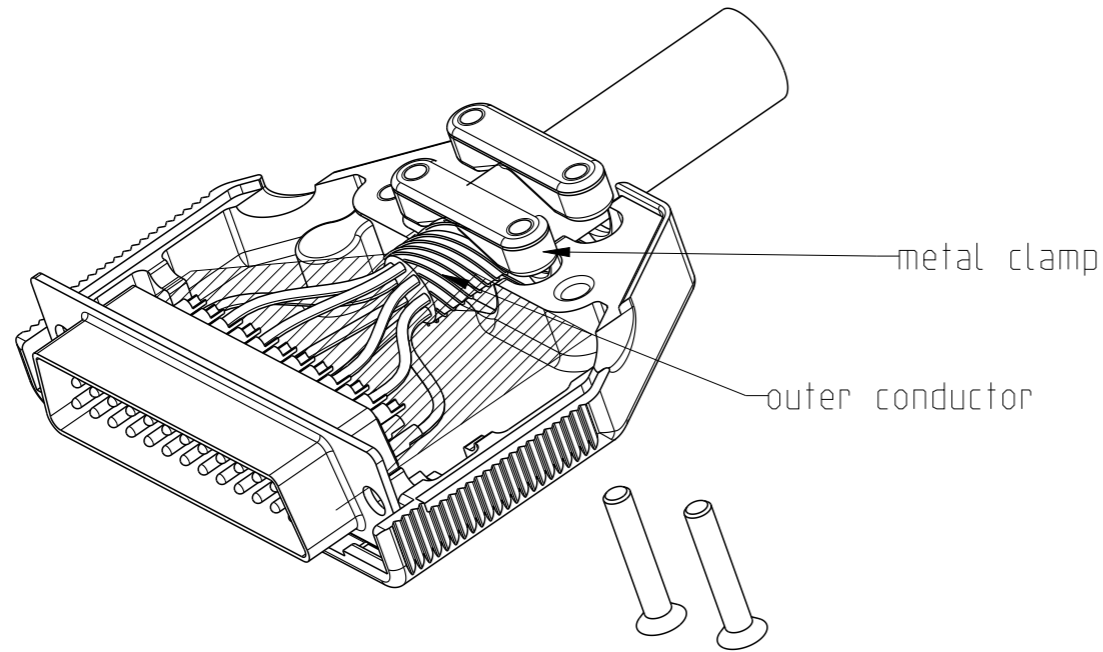
SCALE 3:2

2-Put the connector into a half hood and tighten the jacket with a metal clamp



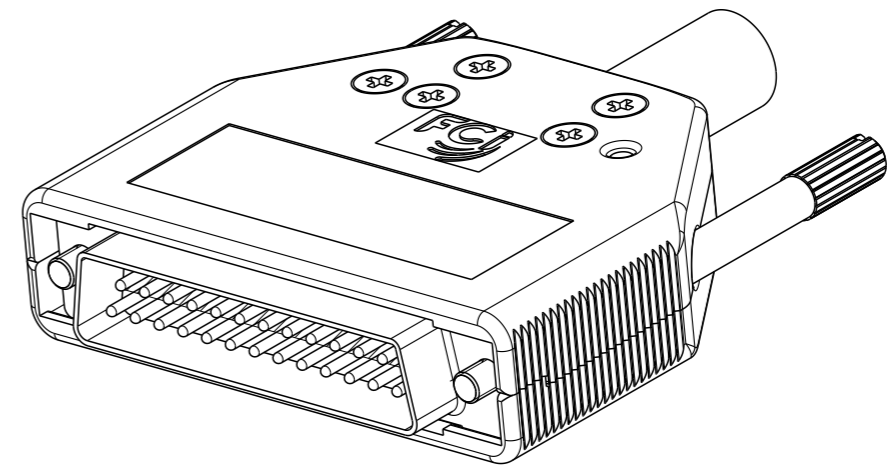
SCALE 3:2

3-To get the electrical continuity between the cable outer conductor and the hood tighten the outer conductor with the other metal clamp as shown



SCALE 3:2

4-Mount the jackscrews, the other half hood and tighten with 2 screws



Copyright FCI.

spec ref		dr	A Parrenin	2009/05/20	projection 	mm ←→	size	A3	scale	1:1		
tolerance std		eng	J Dalbard	2015/09/10			ecn no	ELX-B-20414-1				
ISO 406 ISO 1101		chr	J Dalbard	2015/09/10			rel level	Released				
TOLERANCES UNLESS OTHERWISE SPECIFIED		appr	Aymeric Soudy	2015/09/11	product family							
surface	✓	linear	0.X	±/	FCI	title	STRAIGHT METAL HOODS		dwg no	C-8655-1685C	rev	D
			0.XX	±/			WITH 2 METAL CLAMPS					
			0.XXX	±/								
ISO 1302	angular	0°	±/°	www.fci.com	cat. no.	Product - Customer Drw		sheet 4 of 4				