



Chipsmall Limited consists of a professional team with an average of over 10 year of expertise in the distribution of electronic components. Based in Hongkong, we have already established firm and mutual-benefit business relationships with customers from,Europe,America and south Asia,supplying obsolete and hard-to-find components to meet their specific needs.

With the principle of “Quality Parts,Customers Priority,Honest Operation,and Considerate Service”,our business mainly focus on the distribution of electronic components. Line cards we deal with include Microchip,ALPS,ROHM,Xilinx,Pulse,ON,Everlight and Freescale. Main products comprise IC,Modules,Potentiometer,IC Socket,Relay,Connector.Our parts cover such applications as commercial,industrial, and automotives areas.

We are looking forward to setting up business relationship with you and hope to provide you with the best service and solution. Let us make a better world for our industry!



Contact us

Tel: +86-755-8981 8866 Fax: +86-755-8427 6832

Email & Skype: info@chipsmall.com Web: www.chipsmall.com

Address: A1208, Overseas Decoration Building, #122 Zhenhua RD., Futian, Shenzhen, China



SIZE	Part Num.	Threading	Headscrew	Packaging(see notes1&2)
25	8655MHRA2501LF	UNC 4.40	Black	BULK (see note 1)
	8655MHRA2501KLF	UNC 4.40	Black	KIT (see note 2)
	8655MHRA2502LF	M3	Grey	BULK
	8655MHRA2502KLF	M3	Grey	KIT

NOTES:

Material and finish: Zinc die-cast
Nickel plated

Cable strain relief: Polycarbonate (UL94V-0)

Jackscrews:

- Headscrew : plastic, colour according threading
- Body : metal, threading according tables

Temperature range: -40°C to 120°C
Cable diameter: 4,0 to 13,0mm
Attenuation factor: >40 dB between 30MHz and 1 GHz
Marking FCI logo: Height 6 mm for all versions

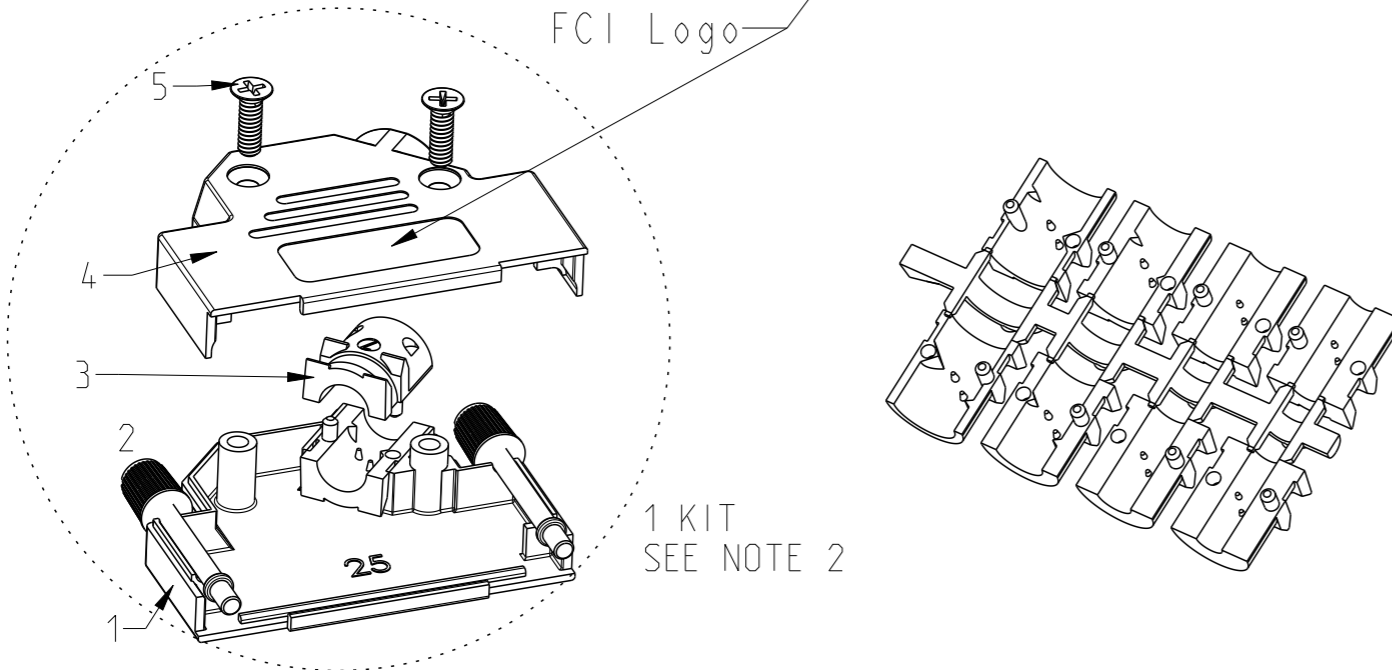
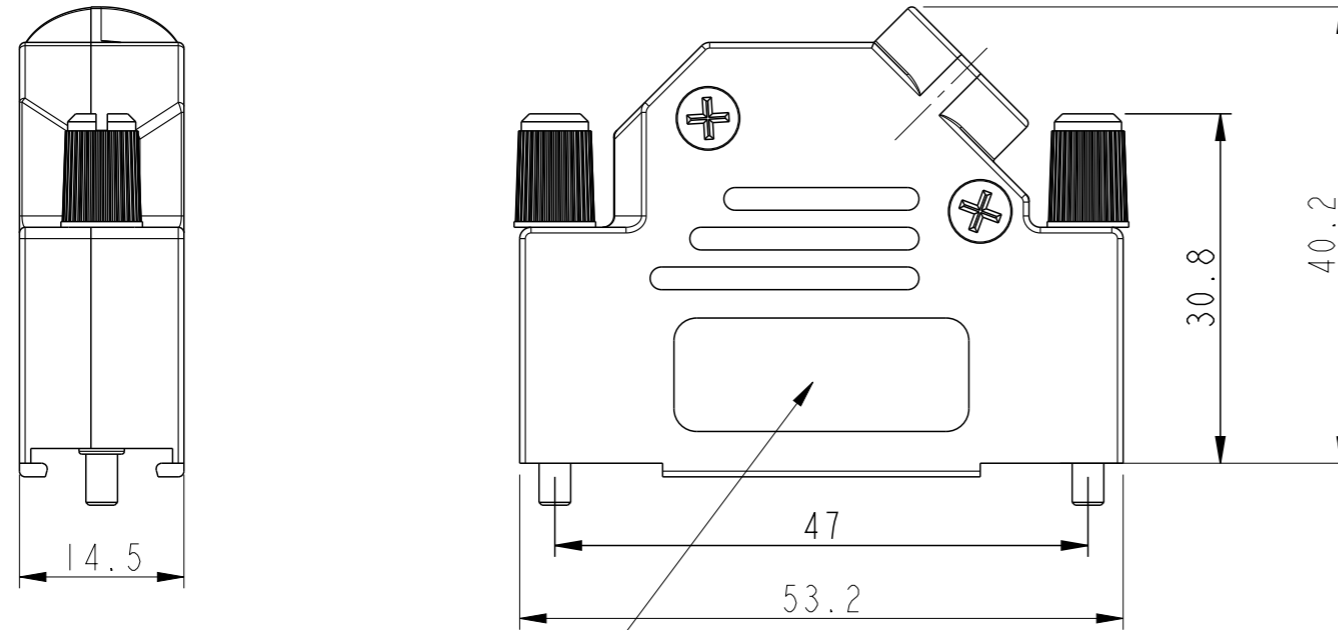
Covers screwing force (max): 100 Ncm
Jackscrew screwing force (max): 50 Ncm

Packaging notes (see tables):

- 1 - Bulk : Every spare part packaged per 100 or 200 into plastic bag. 5 plastic bags per carton box. 1 plastic bag per part.
- 2 - Kit : 1 set of spare parts necessary to realise 1 kit into a plastic bag. 100 plastic bags per carton box.

NOTE:RoHS INFORMATIONS

- The "LF" product meets European union Directives and other country regulations as described in GS-22-008.
- The product is not intended to be exposed to a manufacturing solder process.
- Packaging spec: see GS-14-920.



Copyright FCI.

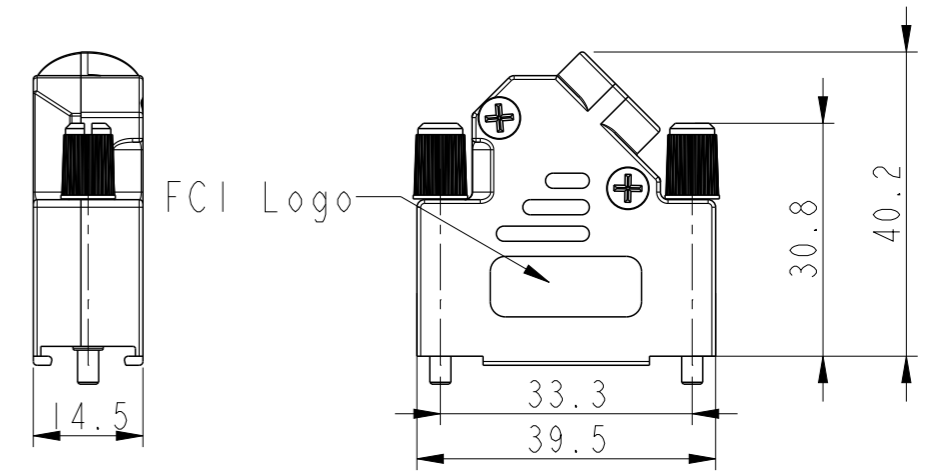
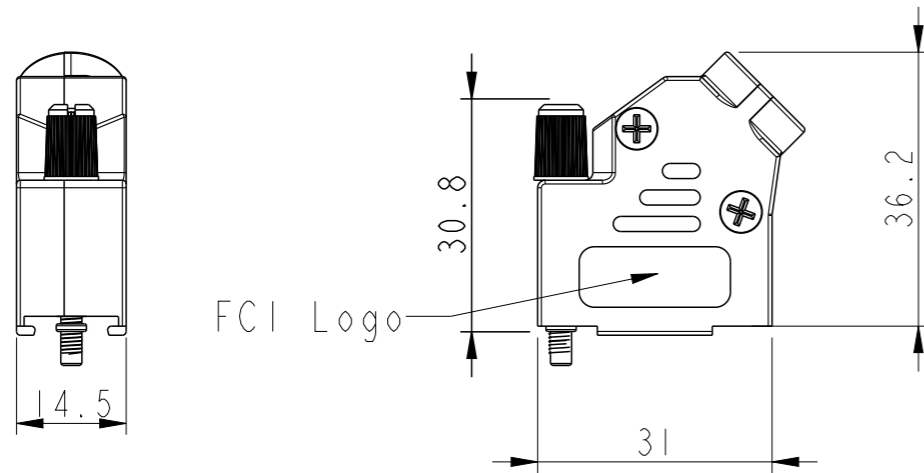
DESIGNATION	REP.	09	15	25	37	50
COVER BOTTOM	1			1		
JACKSCREW	2	1		2		
STRAIN RELIEF	3			2		
COVER TOP	4			1		
SCREW POZIDRIVE	5			2		

spec ref	2009/05/20		
tolerance std	TOLERANCES UNLESS OTHERWISE SPECIFIED		
ISO 406	0.X	±/	
ISO 1101	0.XX	±/	
surface	linear	0.XXX	±/
	angular	0°	±//°

dr	A Parrenin	2009/05/20	projection	mm	size	A3	scale	3:2
eng	Benoit Vernier	2015/06/24			ecn no	ELX-B-21220-1	rel level	Released
chr	J Dalbard	2015/07/01						
appr	Aymeric Soudy	2015/07/02	product family		rel level			
			D-SUB METAL SHELLS		dwg no	10061512C	rev	M
www.fci.com			cat. no.	Product - Customer Drw		sheet 1 of 3		

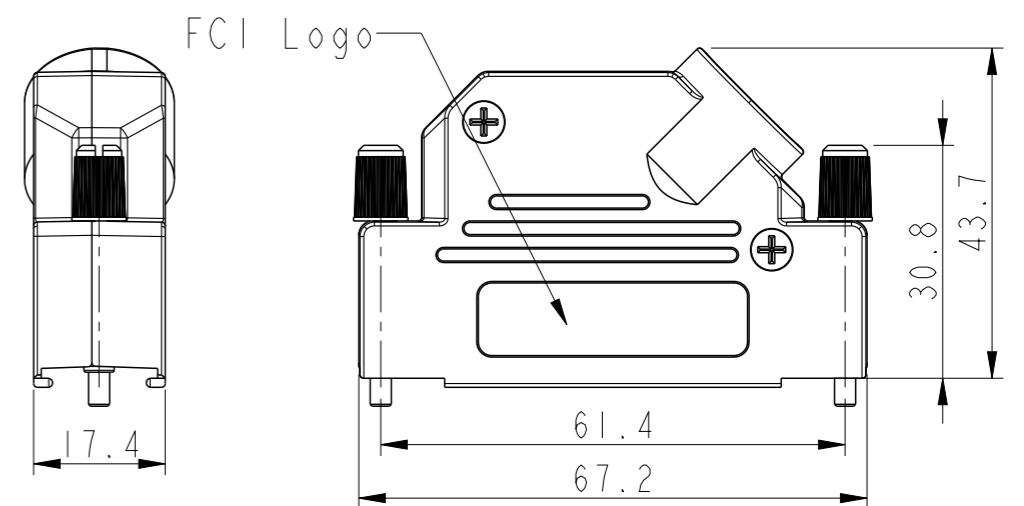
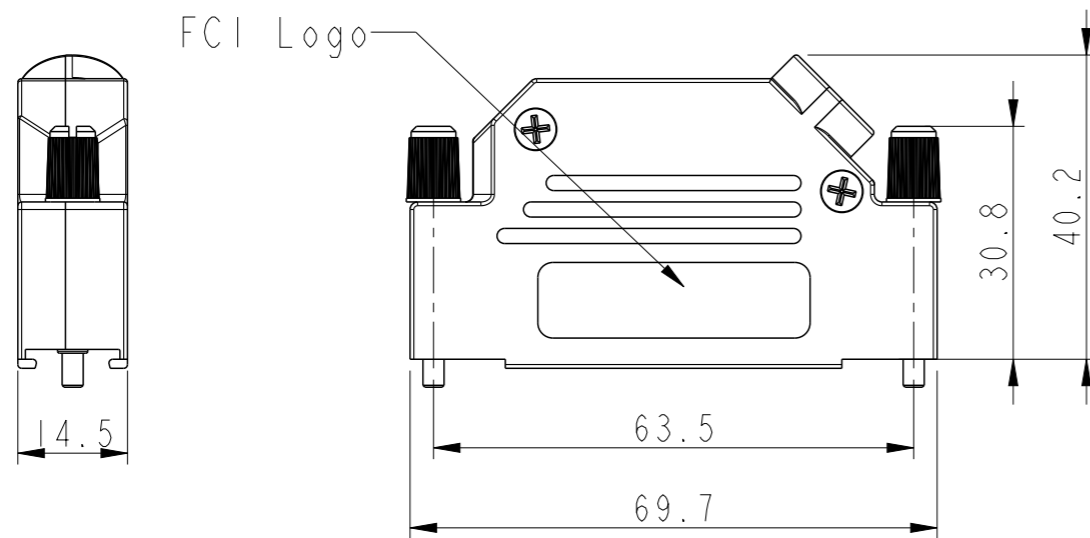
SIZE	Part Num.	Threading	Headscrew	Packaging
09	8655MHRA0901LF	UNC 4.40	Black	BULK (see note 1)
	8655MHRA0901KLF	UNC 4.40	Black	KIT (see note 2)
	8655MHRA0902LF	M3	Grey	BULK
	8655MHRA0902KLF	M3	Grey	KIT

SIZE	Part Num.	Threading	Headscrew	Packaging
15	8655MHRA1501LF	UNC 4.40	Black	BULK (see note 1)
	8655MHRA1501KLF	UNC 4.40	Black	KIT (see note 2)
	8655MHRA1502LF	M3	Grey	BULK
	8655MHRA1502KLF	M3	Grey	KIT



SIZE	Part Num.	Threading	Headscrew	Packaging
37	8655MHRA3701LF	UNC 4.40	Black	BULK (see note 1)
	8655MHRA3701KLF	UNC 4.40	Black	KIT (see note 2)
	8655MHRA3702LF	M3	Grey	BULK
	8655MHRA3702KLF	M3	Grey	KIT

SIZE	Part Num.	Threading	Headscrew	Packaging
50	8655MHRA5001LF	UNC 4.40	Black	BULK (see note 1)
	8655MHRA5001KLF	UNC 4.40	Black	KIT (see note 2)
	8655MHRA5002LF	M3	Grey	BULK
	8655MHRA5002KLF	M3	Grey	KIT



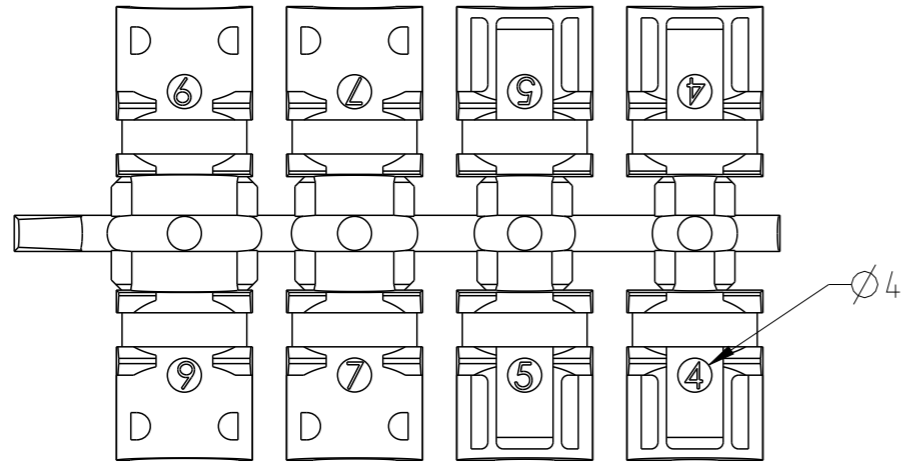
spec ref	dr	A Parrenin	2009/05/20	projection	mm	size	A3	scale	1:1
tolerance std	eng	Benoit Vernier	2015/06/24			ecn no	ELX-B-21220-1	rel level	Released
ISO 406 ISO 1101	chr	J Dalbard	2015/07/01						
surface	appr	Aymeric Soudy	2015/07/02			rel level	Released	dwg no	10061512C
ISO 1302	linear	0.X	±/	FCI		rel level	Released	rev	M
	angular	0°	±/°	www.fci.com		rel level	Released	cat. no.	Product - Customer Drw
				ANGLED		rel level	Released	cat. no.	Product - Customer Drw
				www.fci.com		rel level	Released	cat. no.	Product - Customer Drw
				www.fci.com		rel level	Released	cat. no.	Product - Customer Drw



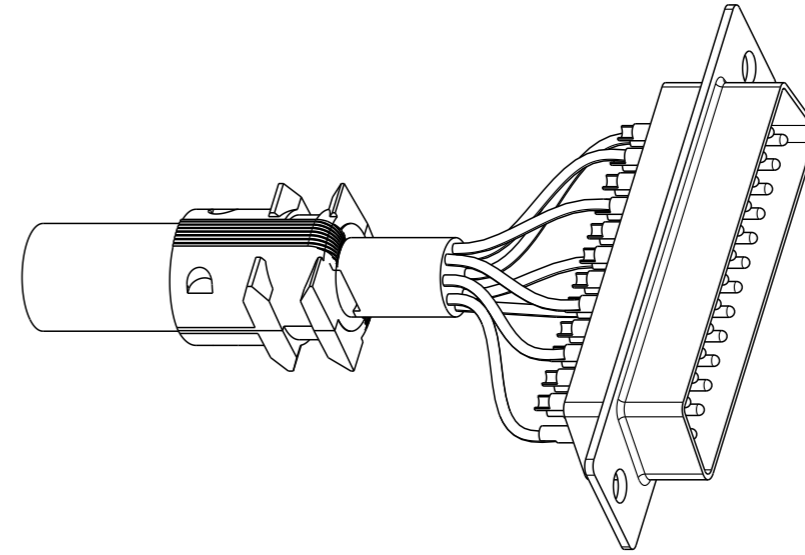
Copyright FCI.

CABLING INSTRUCTIONS

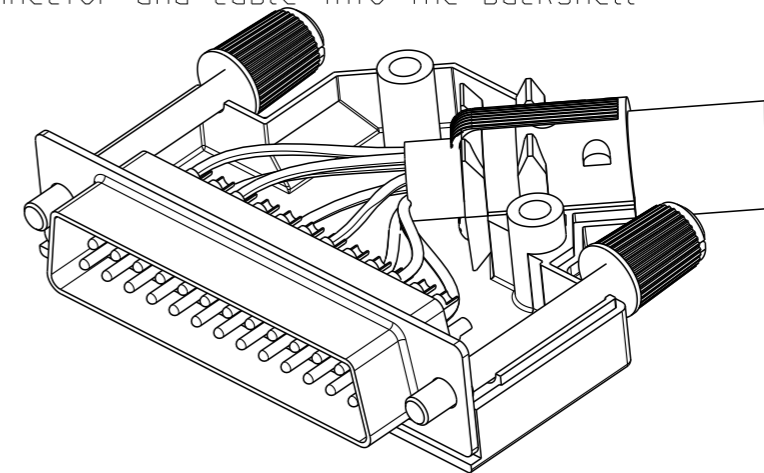
1- Use two halves of strain relief, different sizes can be mixed (Ø4,5,7 or 9)



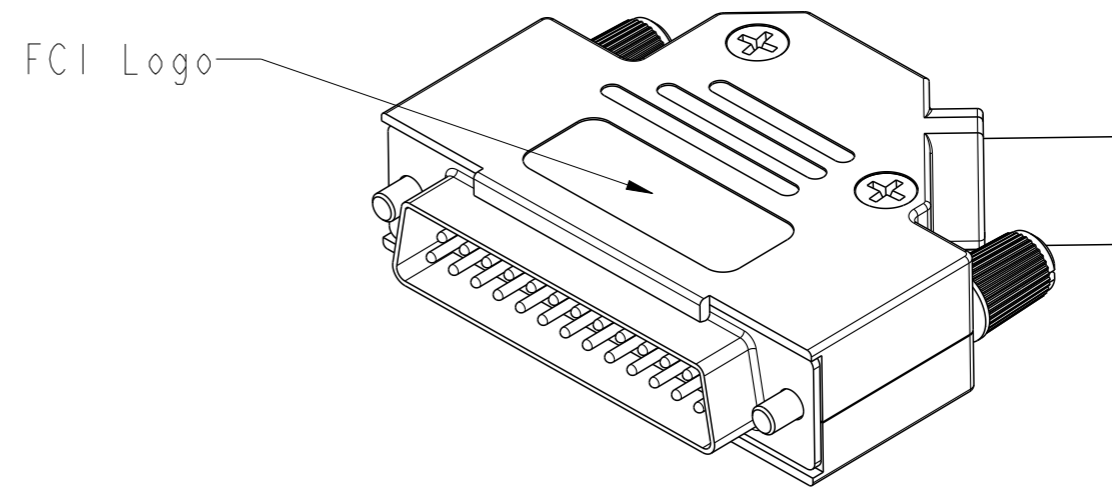
4- Bend cable shielding back on outside of strain relief



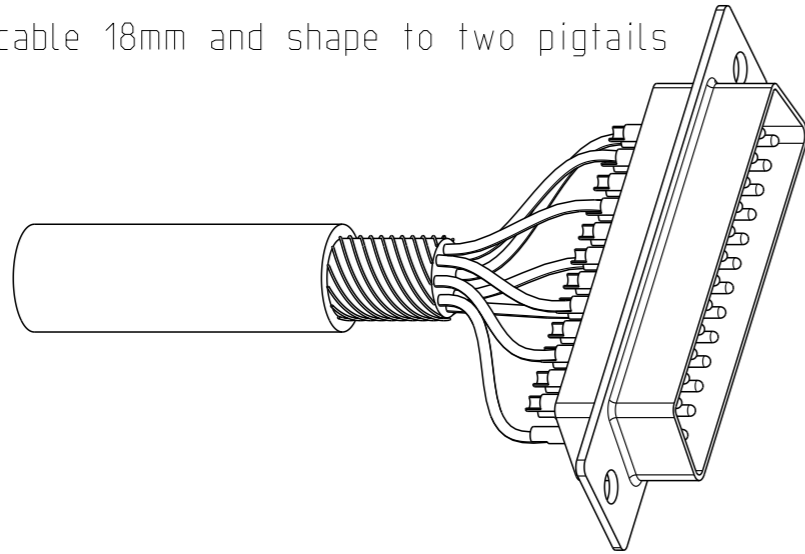
5- Mount connector and cable into the backshell



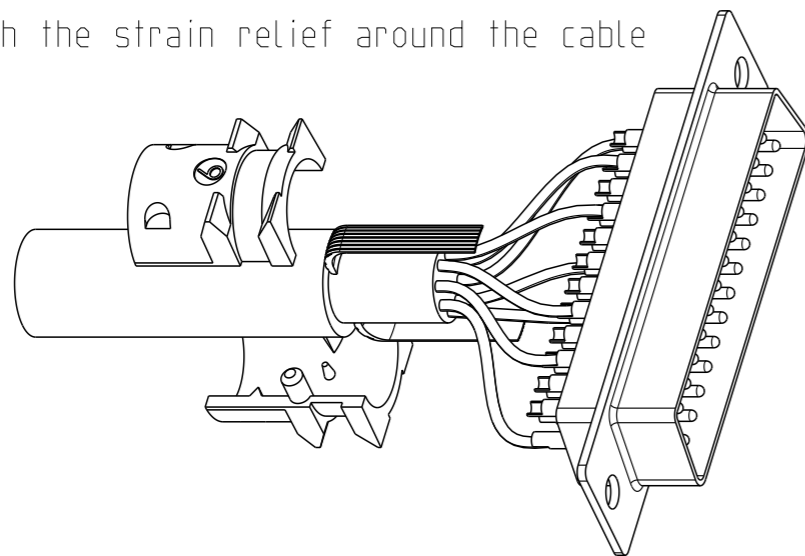
6- Assemble the other half screwing force: 100 Ncm



2- Strip cable 18mm and shape to two pigtails



3- Attach the strain relief around the cable



spec ref	dr	A Parrenin	2009/05/20	projection	mm	size	A3	scale	3:2
tolerance std	eng	Benoit Vernier	2015/06/24			ecn no	ELX-B-21220-1	rel level	Released
ISO 406 ISO 1101	chr	J Dalbard	2015/07/01						
surface ✓	linear	0.X	±/		title D-SUB METAL SHELLS ANGLÉD	dwg no	10061512C	rev	M
		0.XX	±/						
ISO 1302	angular	0°	±//°	www.fci.com	cat. no.	Product - Customer Drw	sheet 3 of 3		



Copyright FCI.