



Chipsmall Limited consists of a professional team with an average of over 10 year of expertise in the distribution of electronic components. Based in Hongkong, we have already established firm and mutual-benefit business relationships with customers from,Europe,America and south Asia,supplying obsolete and hard-to-find components to meet their specific needs.

With the principle of “Quality Parts,Customers Priority,Honest Operation,and Considerate Service”,our business mainly focus on the distribution of electronic components. Line cards we deal with include Microchip,ALPS,ROHM,Xilinx,Pulse,ON,Everlight and Freescale. Main products comprise IC,Modules,Potentiometer,IC Socket,Relay,Connector.Our parts cover such applications as commercial,industrial, and automotives areas.

We are looking forward to setting up business relationship with you and hope to provide you with the best service and solution. Let us make a better world for our industry!



Contact us

Tel: +86-755-8981 8866 Fax: +86-755-8427 6832

Email & Skype: info@chipsmall.com Web: www.chipsmall.com

Address: A1208, Overseas Decoration Building, #122 Zhenhua RD., Futian, Shenzhen, China



SIZE	Part Num.	Threading	Headscrew
25	8655PHRA2501LF	UNC 4.40	Black
	8655PHRA2502LF	M3	Grey

NOTES:

Material: Polycarbonat (UL94V-0)

Cable strain relief: Polycarbonat (UL94V-0)

Temperature range: -40°C to 120°C

Cable diameter: 4,0 to 13,0 mm

Jackscrew:

- Headscrew : plastic, colour according threading
- Body : Metal, threading according tables

Packaging: Bulk, in box of 100 P/N

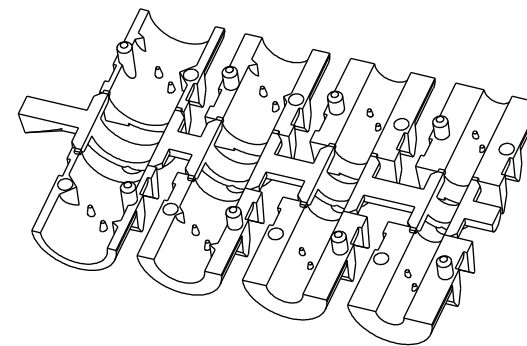
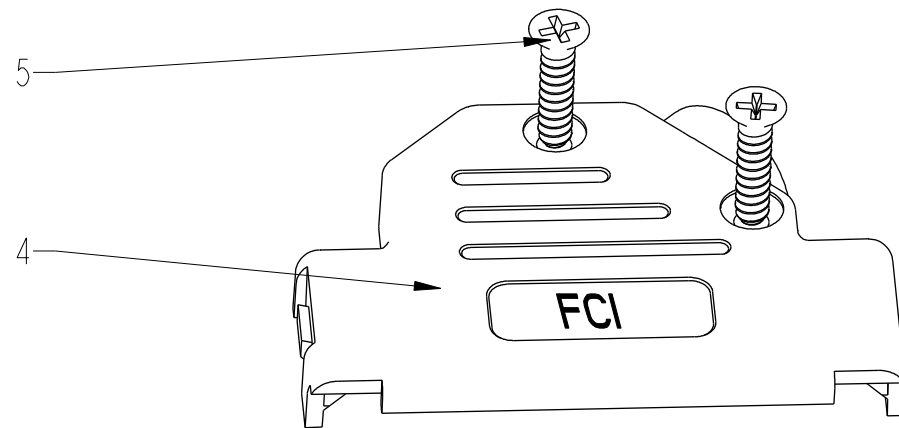
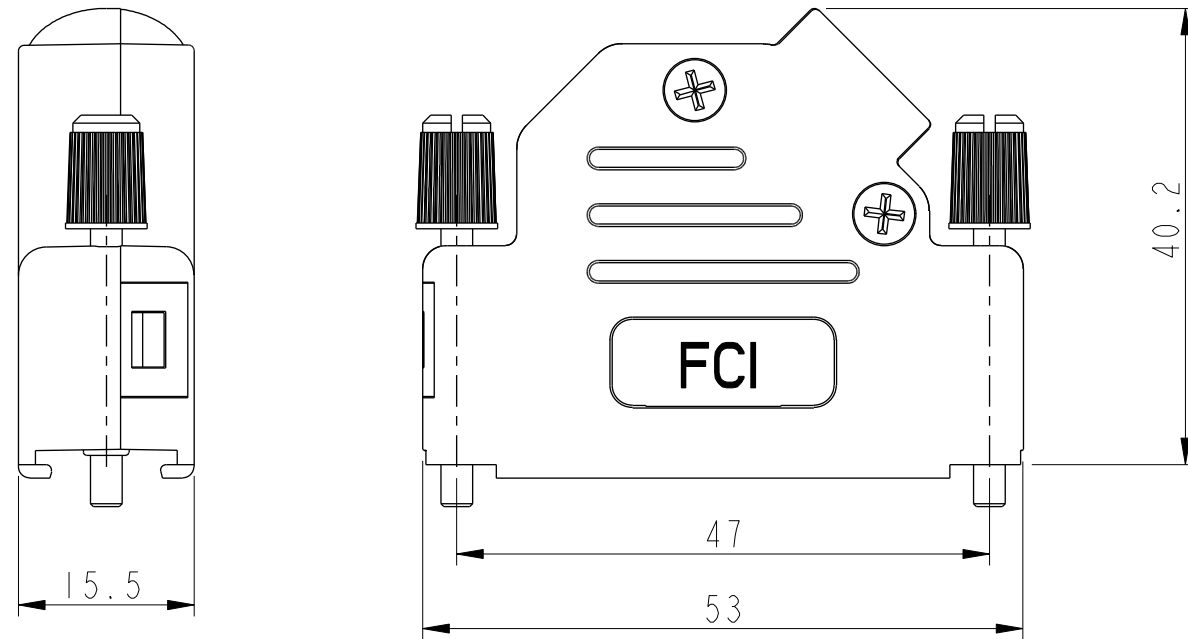
Covers screwing force (max): 100 Ncm

Jackscrew screwing force (max): 50 Ncm

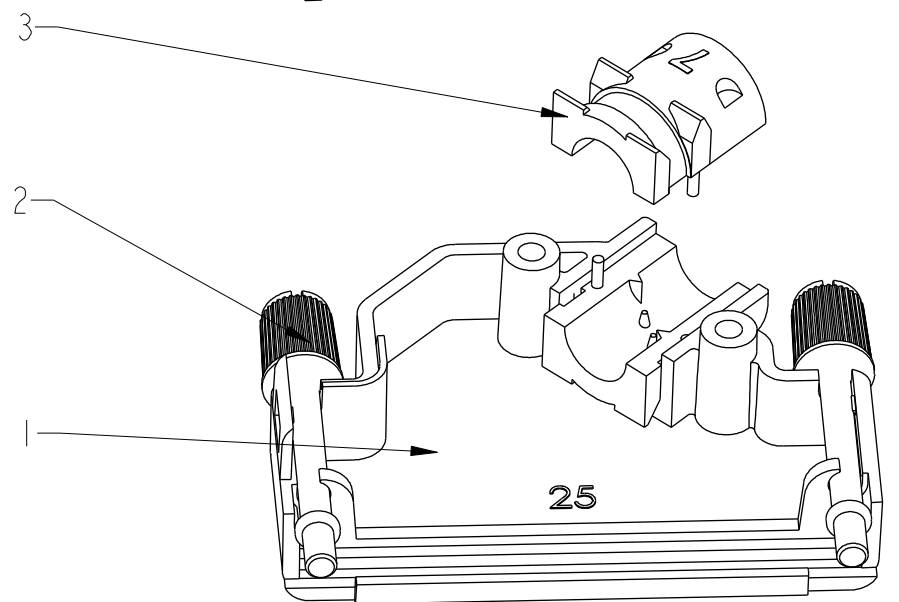
NOTE:RoHS INFORMATIONS

- The "LF" product meets European union Directives and other country regulations as described in GS-22-008.
- The product is not intended to be exposed to a manufacturing solder process.
- Packaging spec: see GS-14-920.

DESIGNATION	REP	09	15	25	37
COVER BOTTOM	1			1	
JACKSCREWS	2	1		2	
STRAIN RELIEF	3		2		
COVER TOP	4		1		
SCREWS POZIDRIVE	5			2	



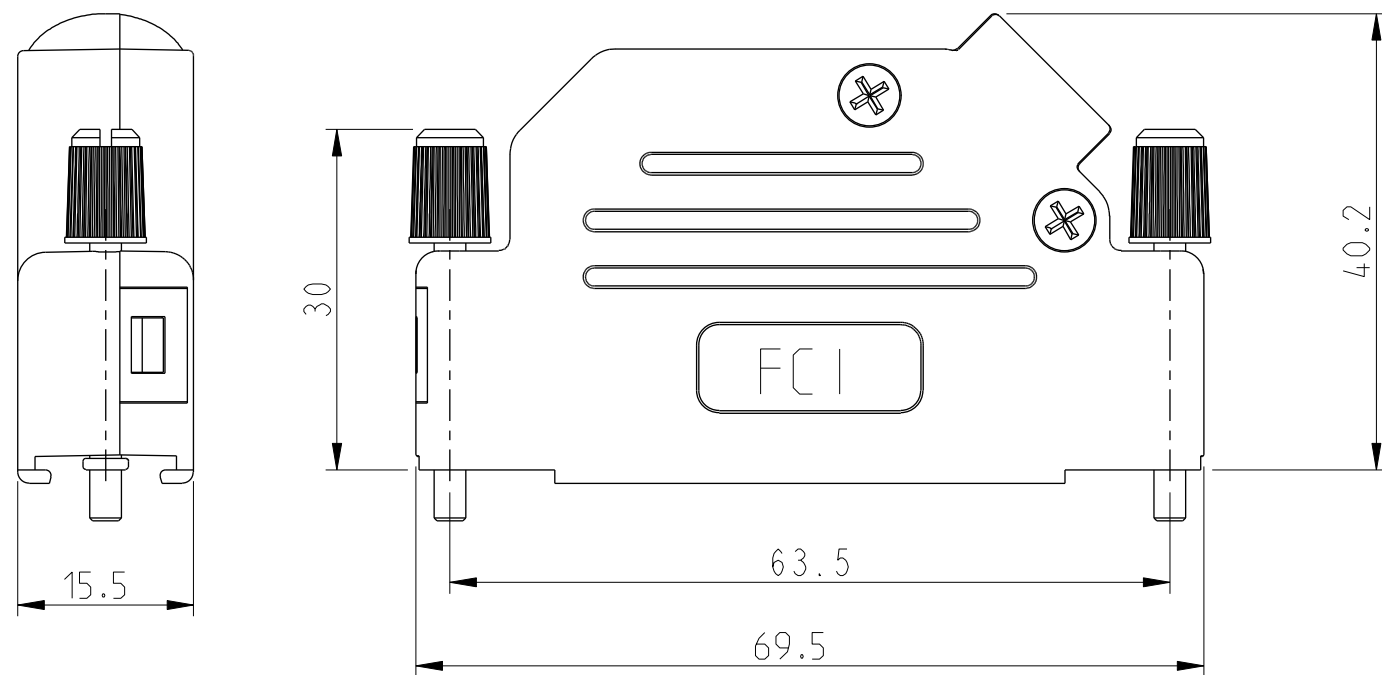
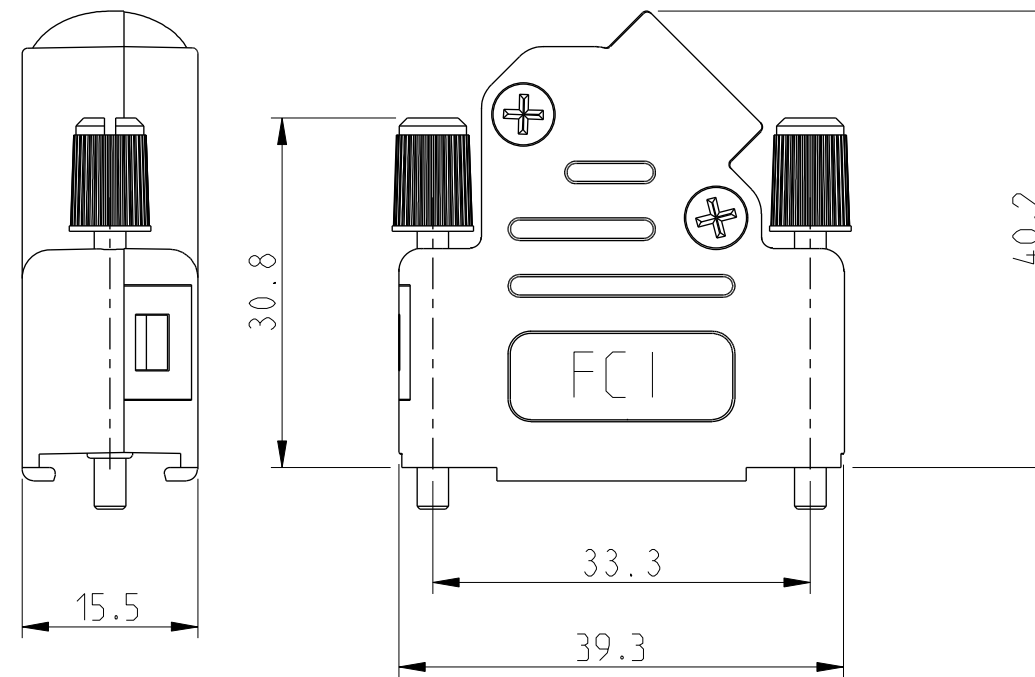
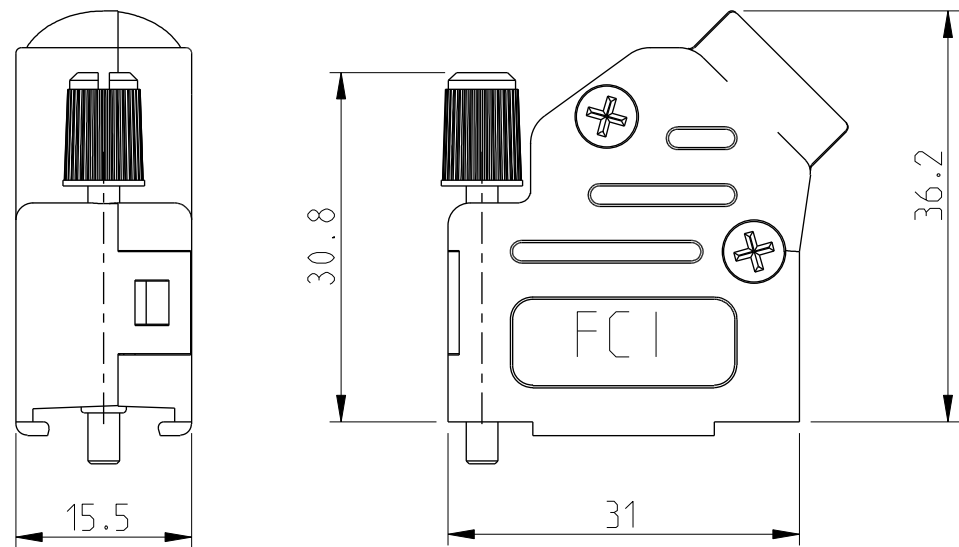
SCALE 1:1



spec ref	-	dr	A Parrenin	2011/04/15	projection	mm	size	A3	scale	3:2
tolerance std	ISO 406 ISO 1101	eng	J Dalbard	2015/06/22			ecn no	ELX-B-21206-1	rel level	Released
TOLERANCES UNLESS OTHERWISE SPECIFIED		chr	J Dalbard	2015/06/23						
surface	linear	appr	Aymeric Soudy	2015/06/23			dwg no	10061513C	rev	H
ISO 1302	angular	www.fci.com		cat. no.	-		Product - Customer Drw		sheet 1 of 3	

SIZE	Part Num.	Threading	Headscrew
9	8655PHRA0901LF	UNC 4.40	Black
	8655PHRA0902LF	M3	Grey

SIZE	Part Num.	Threading	Headscrew
15	8655PHRA1501LF	UNC 4.40	Black
	8655PHRA1502LF	M3	Grey

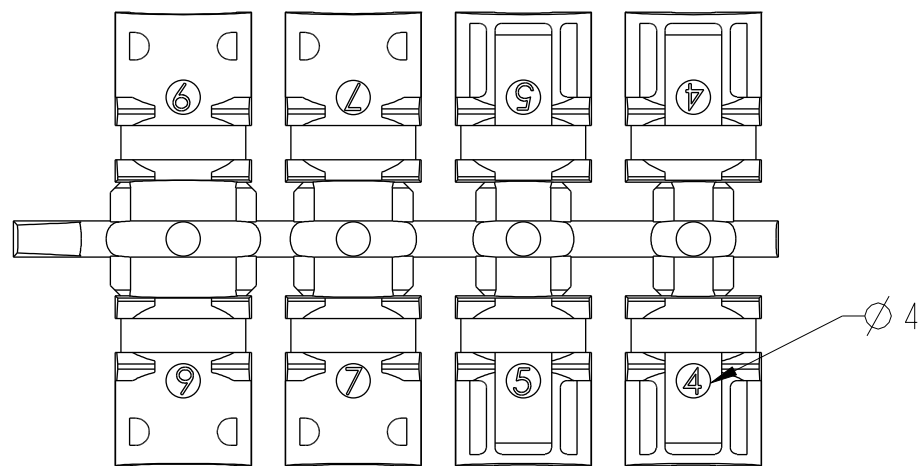


SIZE	Part Num.	Threading	Headscrew
37	8655PHRA3701LF	UNC 4.40	Black
	8655PHRA3702LF	M3	Grey

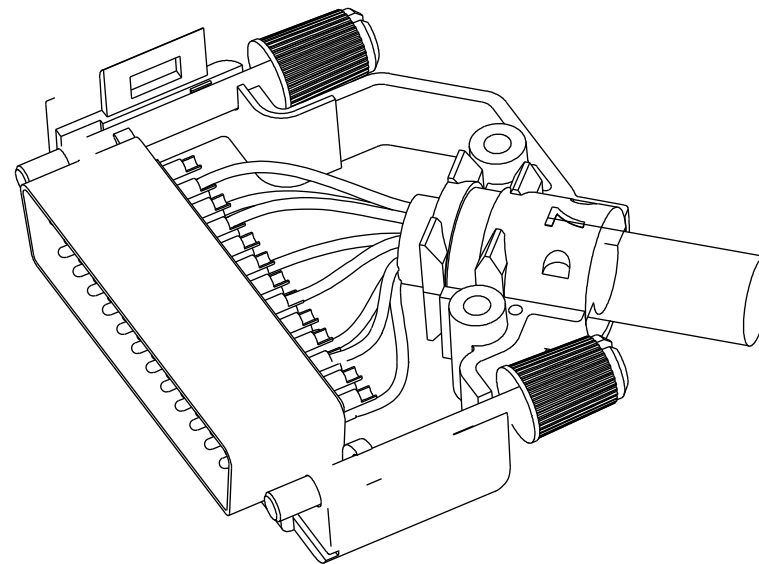
spec ref	-	dr	A Parrenin	2011/04/15	projection	mm	size	A3	scale	3:2
tolerance std	ISO 406 ISO 1101	eng	J Dallbard	2015/06/22			ecn no	ELX-B-21206-1		
surface	ISO 1302	chr	J Dallbard	2015/06/23			rel level	Released		
linear	0.X ± 0.XX ± 0.XXX ±	appr	Aymeric Soudy	2015/06/23	product family	dwg no	10061513C			
angular	0° ±°			title D-SUB PLASTIC SHELLS ANGLED	rev H	cat. no.		Product - Customer Drw		sheet 2 of 3

CABLING INSTRUCTIONS

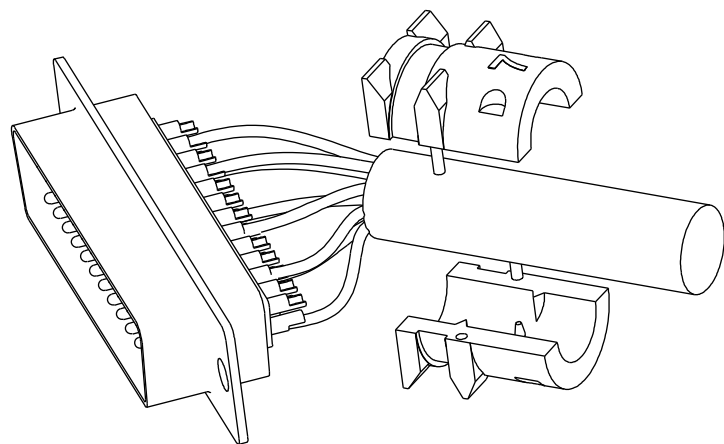
1- Use two halves of strain relief different sizes can be mixed (Ø 4,5,7 or 9)



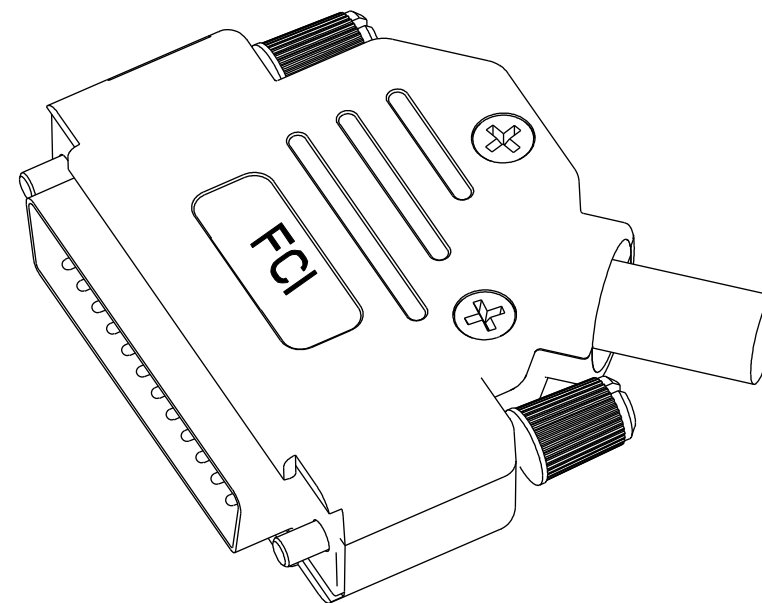
3- Mount connector and cable into the backshell



2- Attach the strain relief around the cable



4- Assemble the other half screwing force: 100 Ncm



spec ref	-	dr	A Parrenin	2011/04/15	projection	mm	size	A3	scale	3:2										
tolerance std	ISO 406 ISO 1101	eng	J Dallbard	2015/06/22			ecn no	ELX-B-21206-1												
TOLERANCES UNLESS OTHERWISE SPECIFIED		chr	J Dallbard	2015/06/23				rel level	Released											
surface	<table border="1"> <tr> <td>linear</td> <td>0.X</td> <td>±</td> </tr> <tr> <td></td> <td>0.XX</td> <td>±</td> </tr> <tr> <td></td> <td>0.XXX</td> <td>±</td> </tr> <tr> <td>angular</td> <td>0°</td> <td>±°</td> </tr> </table>	linear	0.X	±		0.XX	±		0.XXX	±	angular	0°	±°	appr	Aymeric Soudy	2015/06/23	product family	cat. no.	Product - Customer Drw	sheet 3 of 3
linear	0.X	±																		
	0.XX	±																		
	0.XXX	±																		
angular	0°	±°																		
ISO 1302			<table border="1"> <tr> <td>title</td> <td>D-SUB PLASTIC SHELLS</td> <td>dwg no</td> <td>10061513C</td> <td>rev</td> <td>H</td> </tr> <tr> <td>ANGLED</td> <td></td> <td></td> <td></td> <td></td> <td></td> </tr> </table>	title	D-SUB PLASTIC SHELLS	dwg no	10061513C	rev	H	ANGLED										
title	D-SUB PLASTIC SHELLS	dwg no	10061513C	rev	H															
ANGLED																				