



Chipsmall Limited consists of a professional team with an average of over 10 year of expertise in the distribution of electronic components. Based in Hongkong, we have already established firm and mutual-benefit business relationships with customers from,Europe,America and south Asia,supplying obsolete and hard-to-find components to meet their specific needs.

With the principle of “Quality Parts,Customers Priority,Honest Operation,and Considerate Service”,our business mainly focus on the distribution of electronic components. Line cards we deal with include Microchip,ALPS,ROHM,Xilinx,Pulse,ON,Everlight and Freescale. Main products comprise IC,Modules,Potentiometer,IC Socket,Relay,Connector.Our parts cover such applications as commercial,industrial, and automotives areas.

We are looking forward to setting up business relationship with you and hope to provide you with the best service and solution. Let us make a better world for our industry!



Contact us

Tel: +86-755-8981 8866 Fax: +86-755-8427 6832

Email & Skype: info@chipsmall.com Web: www.chipsmall.com

Address: A1208, Overseas Decoration Building, #122 Zhenhua RD., Futian, Shenzhen, China



1

2

3

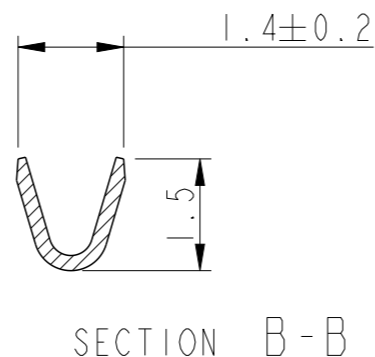
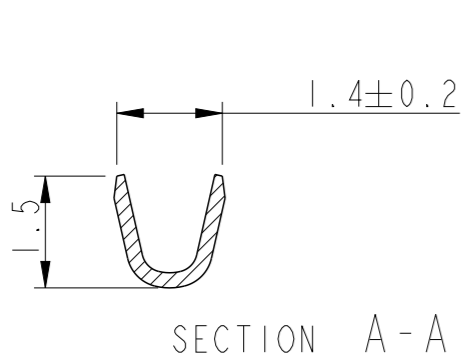
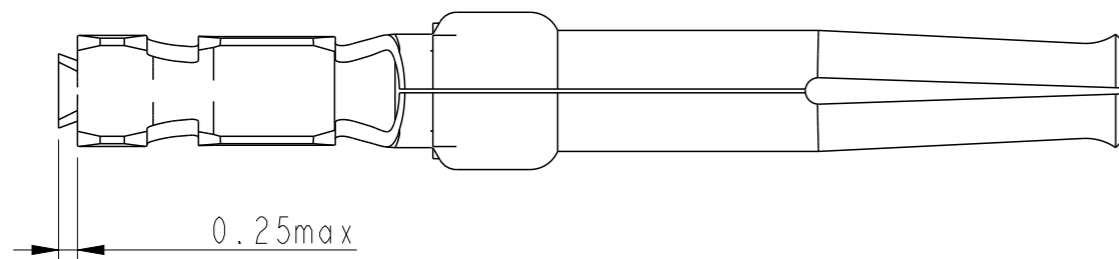
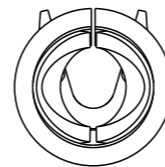
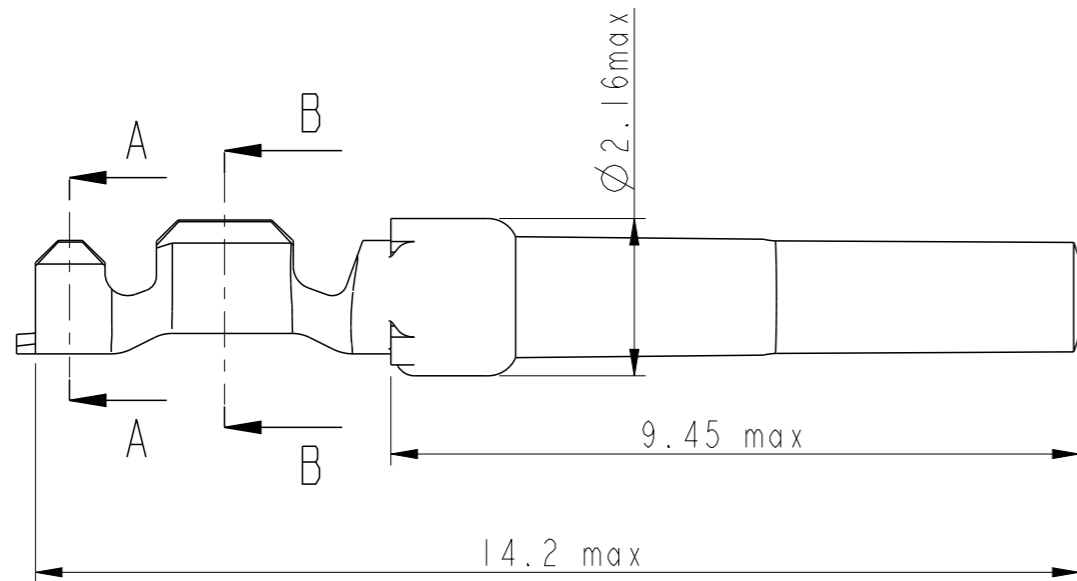
4

NOTES:

- 1-Material:phosphor bronze,thickness 0.20
- 2-Finish on contact area:see table
finish on termination:bright tin over nickel
- 3-Wire range:24 to 28 AWG
- 4-Max outer dia of wire insulator:1.02 mm
- 5-Current carrying capacity per contact:
 - 3.Amps max when crimped to #24 AWG
 - 2 Amps max when crimped to #26 AWG
 - 1 Amps max when crimped to #28 AWG
- 6-After 5 insertions into connector,
contact retention must be 5 pounds axial load min
- 7-When contact is crimped to 24 AWG,the insulation
support crimped height must be 1.78 mm max to ensure
a proper insertion into housing
- 8-Reel should be continuous without any contacts
missing in between
- 9-Packaging:Reel of 400 contacts

NOTE : ROHS INFORMATIONS

The LF products meet European union directives and other
country regulations as described in GS-22-008
Terminations plating spec : 2um Nickel min + 2um Sn min
Packaging Spec : see GS-14-920



PART NUMBER	PLATING
86563004065LF	0.76μ Au /GXT
86563004065	0.76μ Au/ GXT
86563004064LF	Flash Au
86563004064	Flash Au



Copyright FCI.

www.fciconnect.com		surface - ✓ ISO 1302	tolerance std ISO 406 ISO 1101	projection mm
TOLERANCES UNLESS OTHERWISE SPECIFIED				
Dr	C JARRY	28/01/97	ANGULAR	size A3
Eng			LINEAR	Scale 10:1
Chr			0° ±2°	ECN 111-0003
Appr			Product family	Spec ref
FCI			CRIMP SOCKET	Rev. J
			#Wire 24-28 Ø1.02 max	dwg no C01-8656-0426
			catalog no	customer sheet 1 of 1

rev	ecn no	dr	date
D	LS06-196	MPE	27/11/2006
E	LS08-0127	MPE	13/05/2008
F	LS08-0167	MPE	2008/08/05
G	109-0152	AMR	2009-07-27
H	110-0070	AMR	2010-03-09
J	111-0003	AMR	2011-01-06
-	-	-	-