



Chipsmall Limited consists of a professional team with an average of over 10 year of expertise in the distribution of electronic components. Based in Hongkong, we have already established firm and mutual-benefit business relationships with customers from,Europe,America and south Asia,supplying obsolete and hard-to-find components to meet their specific needs.

With the principle of “Quality Parts,Customers Priority,Honest Operation,and Considerate Service”,our business mainly focus on the distribution of electronic components. Line cards we deal with include Microchip,ALPS,ROHM,Xilinx,Pulse,ON,Everlight and Freescale. Main products comprise IC,Modules,Potentiometer,IC Socket,Relay,Connector.Our parts cover such applications as commercial,industrial, and automotives areas.

We are looking forward to setting up business relationship with you and hope to provide you with the best service and solution. Let us make a better world for our industry!



Contact us

Tel: +86-755-8981 8866 Fax: +86-755-8427 6832

Email & Skype: info@chipsmall.com Web: www.chipsmall.com

Address: A1208, Overseas Decoration Building, #122 Zhenhua RD., Futian, Shenzhen, China

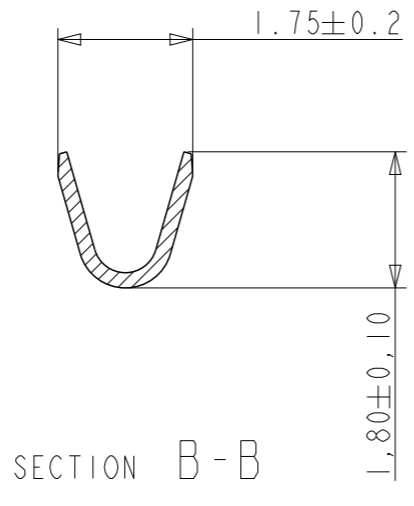
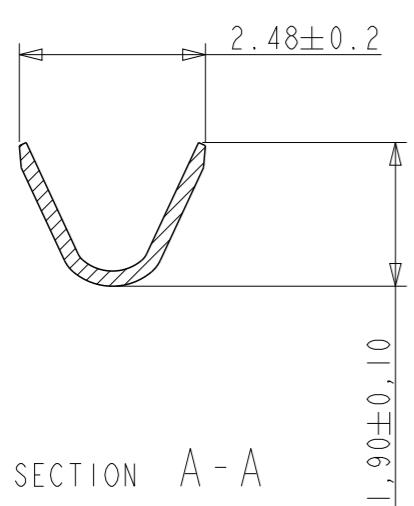
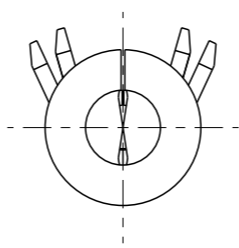
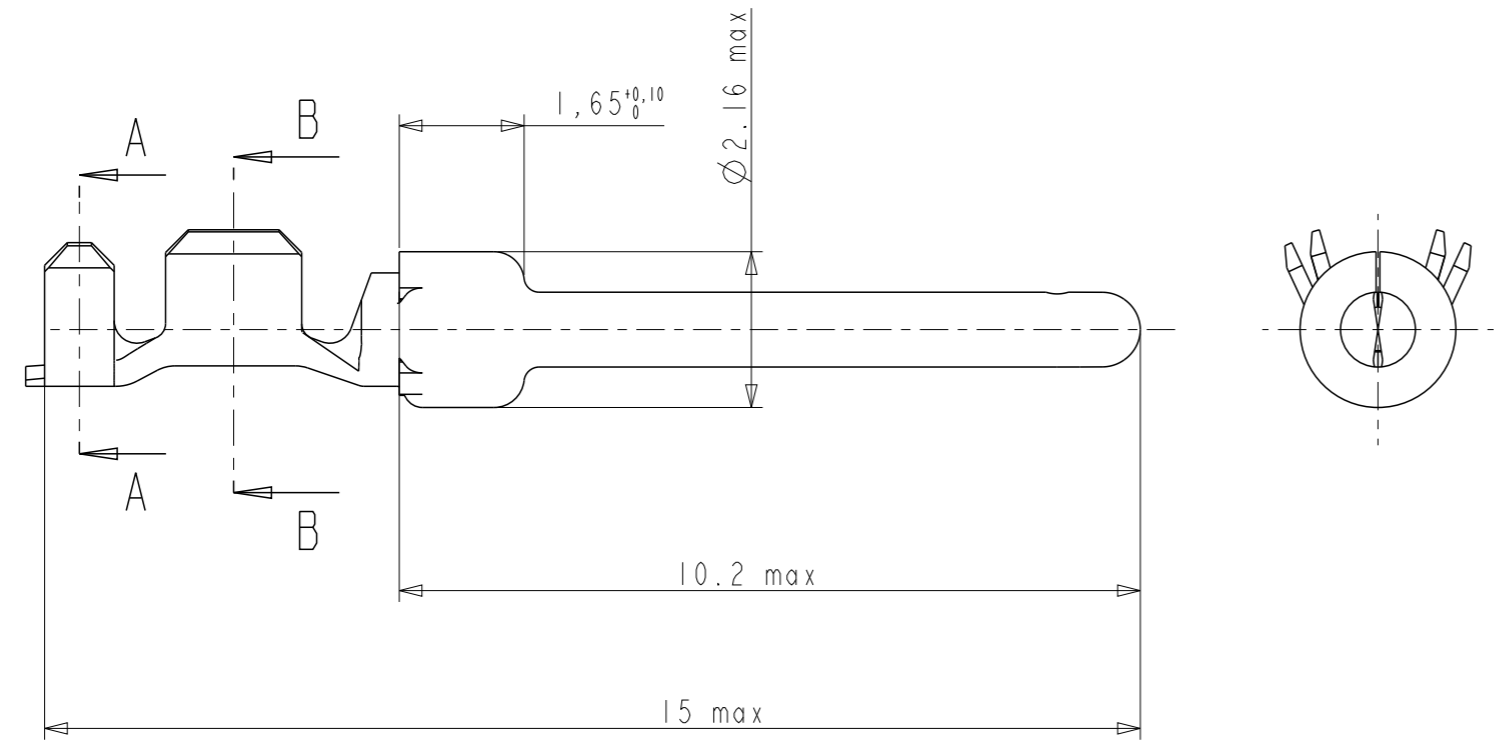
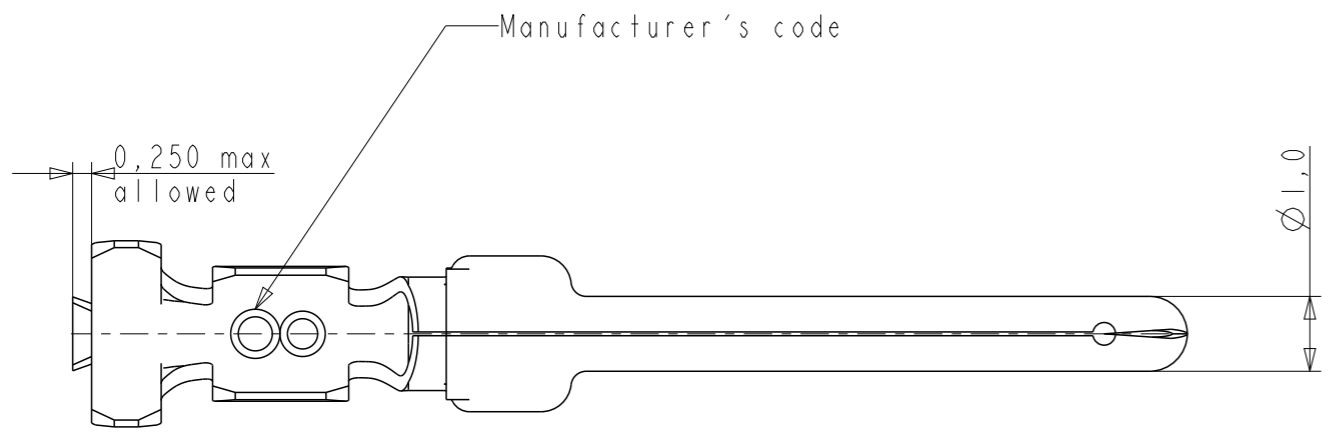


NOTES:

- 1-Material:Phosphor bronze thickness 0.20
- 2-Finish on contact area:see table
finish on termination:bright tin over nickel
- 3-Wire range:20 to 24 AWG
- 4-Max outer dia of wire insulator:1.73 mm
- 5-Current carrying capacity per contact:
 - 5.Amps max when crimped to #20 AWG
 - 5 Amps max when crimped to #22 AWG
 - 3 Amps max when crimped to #24 AWG
- 6-After 5 insertions into connector, contact retention must be 5 pounds axial load min
- 7-When contact is crimped to 20 AWG,the insulation support crimped height must be 1.78 mm max to ensure a proper insertion into housing
- 6-Packaging:Box of 500 contacts

NOTE : ROHS INFORMATIONS

The LF products meet European union directives and other country regulations as described in GS-22-008
 Terminations plating spec : 2um Nickel min + 2um Sn min
 Packaging Spec : see GS-14-920



8656352064LF	flash Au
8656352064	flash Au
8656352067LF	0.4µ Au/GXT
8656352067	0.4µ Au/GXT
8656352065LF	0.75µ Au/GXT
8656352065	0.75µ Au/GXT
PART NUMBER	Plating

www.fciconnect.com		surface - ✓ ISO 1302	tolerance std ISO 406 ISO 1101	projection mm
TOLERANCES UNLESS OTHERWISE SPECIFIED				
Dr	C JARRY	1997-01-28	ANGULAR	0.X ±0.3
Eng	ABHILASH M R	2009-06-22	LINEAR	0.XX ±0.1
Chr	ABHILASH M R	2009-06-22	0° ±2°	0.XXX ±0.05
Appr	SUDHIR VARMA	2009-06-22	Product family	D-SUB Spec ref
FCi CRIMP PIN			size	A3
#wire 20-24 in Box of 500 cts			ECN	111-0003
catalog no			CUSTOMER	sheet 1 of 1

rev	ecn no	dr	date
C	LS06-006	MPE	07-07-03
D	LS06-0196	MPE	27/11/2006
E	LS06-0210	MPE	2006/12/07
F	LF08-0127	MPE	2008/05/13
G	109-0107	AMR	2009/06/22
H	110-0070	AMR	2010-03-09
J	111-0003	AMR	2011-01-06



Copyright FCI.