



Chipsmall Limited consists of a professional team with an average of over 10 year of expertise in the distribution of electronic components. Based in Hongkong, we have already established firm and mutual-benefit business relationships with customers from,Europe,America and south Asia,supplying obsolete and hard-to-find components to meet their specific needs.

With the principle of “Quality Parts,Customers Priority,Honest Operation,and Considerate Service”,our business mainly focus on the distribution of electronic components. Line cards we deal with include Microchip,ALPS,ROHM,Xilinx,Pulse,ON,Everlight and Freescale. Main products comprise IC,Modules,Potentiometer,IC Socket,Relay,Connector.Our parts cover such applications as commercial,industrial, and automotives areas.

We are looking forward to setting up business relationship with you and hope to provide you with the best service and solution. Let us make a better world for our industry!



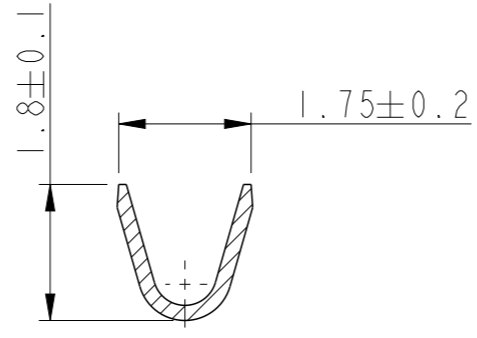
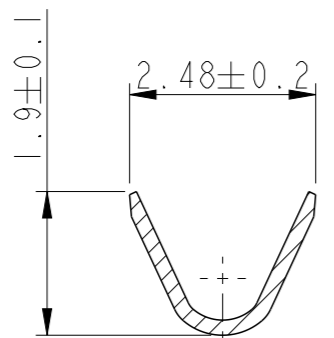
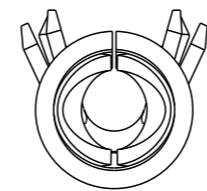
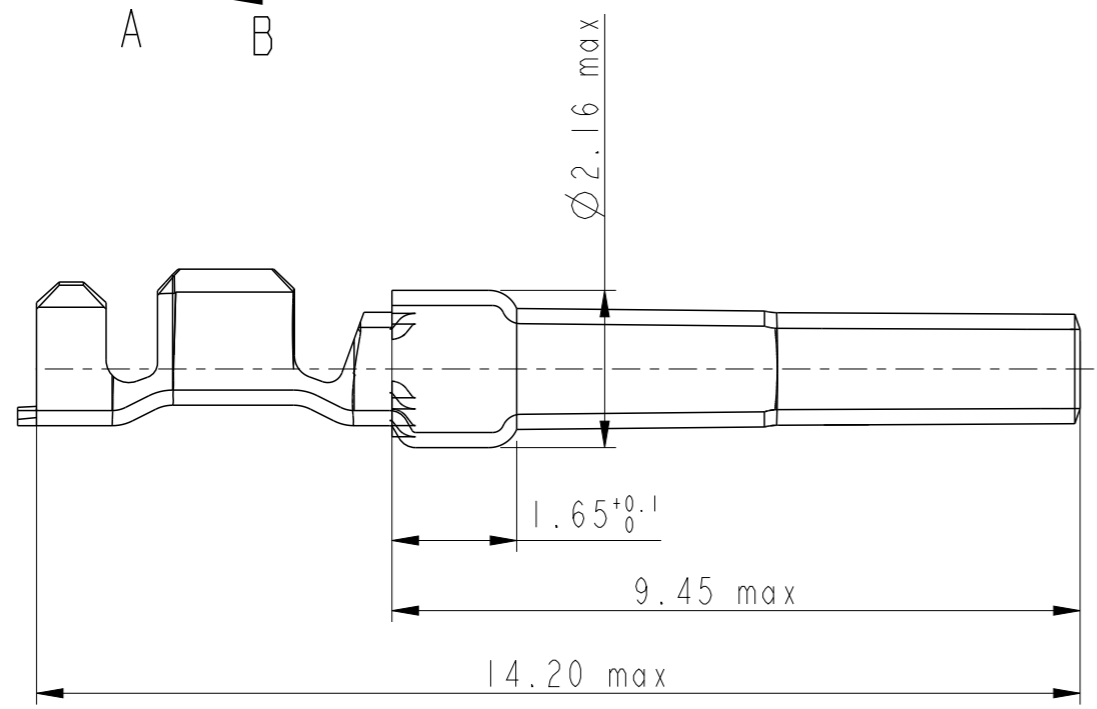
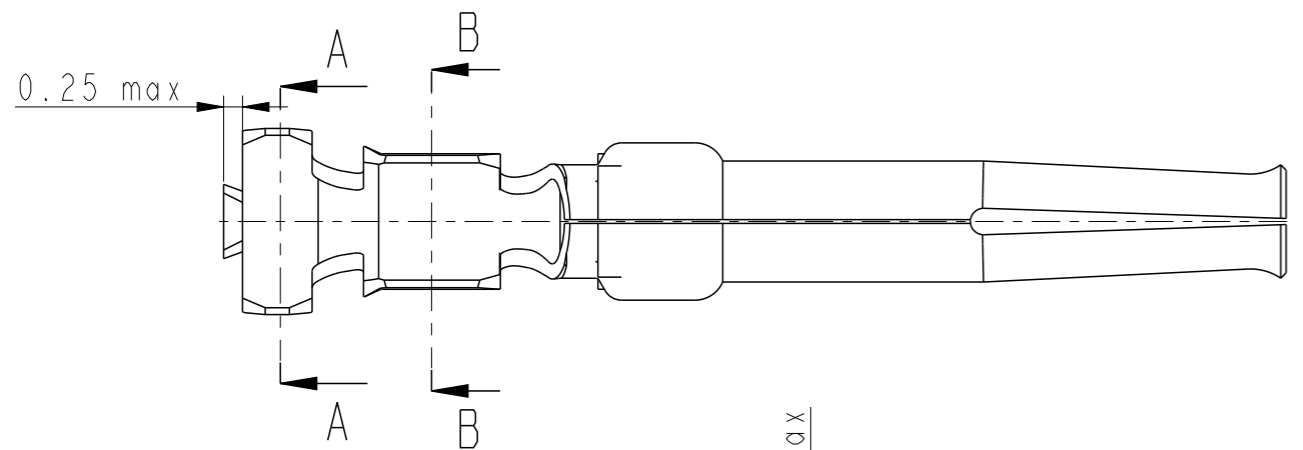
## Contact us

Tel: +86-755-8981 8866 Fax: +86-755-8427 6832

Email & Skype: info@chipsmall.com Web: www.chipsmall.com

Address: A1208, Overseas Decoration Building, #122 Zhenhua RD., Futian, Shenzhen, China





SECTION A-A

SECTION B-B

NOTES:

- 1-Material:phosphor bronze,thickness 0.20
- 2-Finish on contact area:see table  
finish on termination:bright tin over nickel
- 3-Wire range:20 to 24 AWG
- 4-Max outer dia of wire insulator:1.73 mm
- 5-Current carrying capacity per contact:
  - 5 Amps max when crimped to #20 AWG
  - 5 Amps max when crimped to #22 AWG
  - 3 Amps max when crimped to #24 AWG
- 6-After 5 insertions into connector,  
contact retention must be 5 pounds axial load min
- 7-When contact is crimped to 20 AWG,the insulation  
support crimped height must be 1.78 mm max to ensure  
a proper insertion into housing
- 6-Packaging:Box of 500 contacts

NOTE:ROHS INFORMATIONS

The LF products meet European union directives and other country regulations as described in GS-22-008  
Terminations plating spec:2µm Nickel min + 2µm Sn min  
Packaging spec: see GS-14-920

CORE RANGE	.
<b>8656353064LF</b>	Flash Au
<b>8656353064</b>	Flash Au
PART NUMBER	Plating

www.fciconnect.com		surface - ✓ ISO 1302	tolerance std ISO 406 ISO 1101	projection mm
TOLERANCES UNLESS OTHERWISE SPECIFIED				
Dr	C JARRY	28/01/97	ANGULAR	size A3
Eng			LINEAR	Scale 10:1
Chr			0° ±2°	ECN 110-0070
Appr			Product family	Spec ref
FCi		CRIMP SOCKET		Rev. H
		#WIRE 20-24 in box 500 cts		dwg no C01-8656-0512
		catalog no		customer sheet 1 of 1

rev	ecn no	dr	date
E	LS06-196	MPE	27/11/2006
F	LS08-0127	MPE	13/05/2008
G	109-0152	AMR	2009-07-27
H	110-0070	AMR	2010-03-09
-	-	-	-
-	-	-	-
-	-	-	-



Copyright FCI.