



Chipsmall Limited consists of a professional team with an average of over 10 year of expertise in the distribution of electronic components. Based in Hongkong, we have already established firm and mutual-benefit business relationships with customers from,Europe,America and south Asia,supplying obsolete and hard-to-find components to meet their specific needs.

With the principle of “Quality Parts,Customers Priority,Honest Operation,and Considerate Service”,our business mainly focus on the distribution of electronic components. Line cards we deal with include Microchip,ALPS,ROHM,Xilinx,Pulse,ON,Everlight and Freescale. Main products comprise IC,Modules,Potentiometer,IC Socket,Relay,Connector.Our parts cover such applications as commercial,industrial, and automotives areas.

We are looking forward to setting up business relationship with you and hope to provide you with the best service and solution. Let us make a better world for our industry!



Contact us

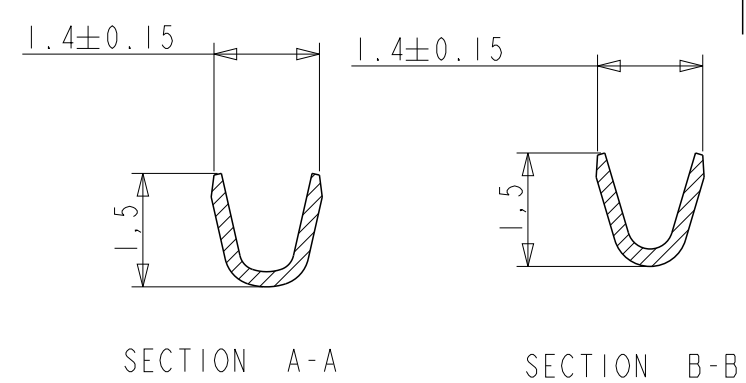
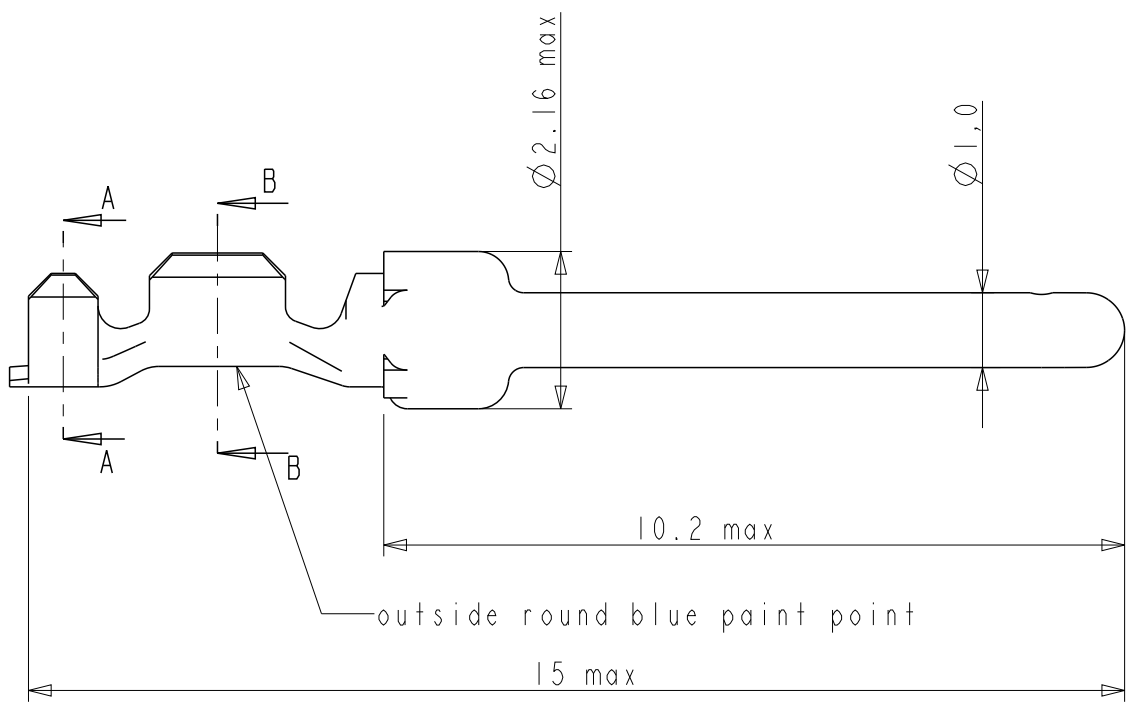
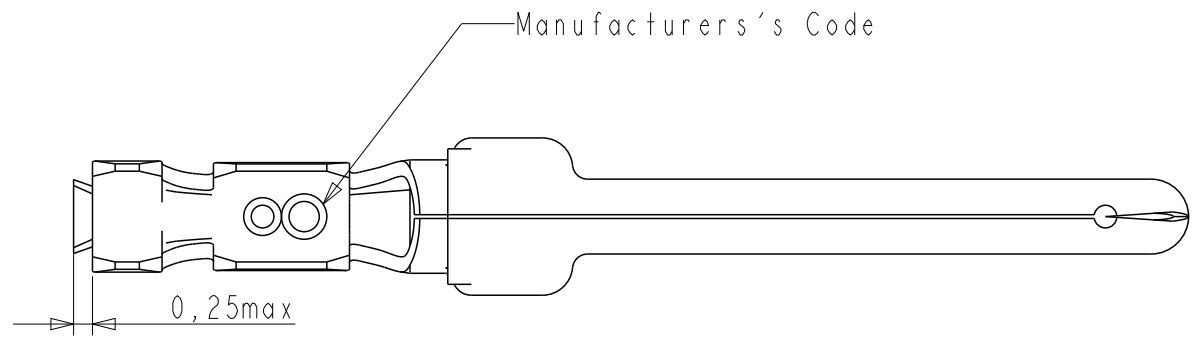
Tel: +86-755-8981 8866 Fax: +86-755-8427 6832

Email & Skype: info@chipsmall.com Web: www.chipsmall.com

Address: A1208, Overseas Decoration Building, #122 Zhenhua RD., Futian, Shenzhen, China



NOTES:
 1-Material: phosphor bronze, thickness 0.20
 2-Finish on contact area: SEE TABLE
 finish on termination: bright tin over nickel
 3-Wire range: 20-28 AWG
 4-Max outer dia of wire insulator:
 -1.73 mm for contact #20-24
 -1.02 mm for contact #24-28
 5-Current carrying capacity per contact:
 5 Amps max when crimped to #20 AWG
 5 Amps max when crimped to #22 AWG
 3 Amps max when crimped to #24 AWG
 2 Amps max when crimped to #26 AWG
 1 Amps max when crimped to #28 AWG
 6-After 5 insertions into connector,
 contact retention must be 5 pounds axial load min
 7-When contact is crimped to 20 AWG, the insulation
 support crimped height must be 1.78 mm max to ensure
 a proper insertion into housing
 6-Packaging: Box of 500 contacts



CROSS SECTIONS FOR CT #24-28

PART NUMBER	Plating
8656450067LF	0.4µ Au / GXT
8656450067	0.4µ Au / GXT



Copyright FCI.

NOTE : ROHS INFORMATIONS
 The LF products meet European union directives and other country regulations as described in GS-22-008
 Terminations plating spec : 2um Nickel min + 2um Sn min
 Packaging Spec : see GS-14-920

rev	ecn no	dr	date
C	LS06-196	MPE	27/11/2006
D	LS08-0127	MPE	13/05/2008
E	LS08-0216	MPE	26/11/2008
F	109-0128	MRA	2009-07-07
G	110-0070	AMR	2010-03-09
H	111-0003	AMR	2011-01-06
-	-	-	-

www.fciconnect.com		surface - ✓ ISO 1302	tolerance std ISO 406 ISO 1101	projection mm
TOLERANCES UNLESS OTHERWISE SPECIFIED				↔
Dr	-	2003-04-18	ANGULAR	size A3
Eng	ABHILASH M R	2009-07-07	LINEAR	Scale 5/1
Chr	ABHILASH M R	2009-07-07	0° ±2°	ECN 111-0003
Appr	SUDHIR VARMA	2009-07-07	Product family	Spec ref
FCI		CRIMP PIN		Rev. H
		#Wire 24-28 Ø1.02		dwg no C01-8656-0417
		catalog no		sheet 1 of 1