



Chipsmall Limited consists of a professional team with an average of over 10 year of expertise in the distribution of electronic components. Based in Hongkong, we have already established firm and mutual-benefit business relationships with customers from,Europe,America and south Asia,supplying obsolete and hard-to-find components to meet their specific needs.

With the principle of “Quality Parts,Customers Priority,Honest Operation,and Considerate Service”,our business mainly focus on the distribution of electronic components. Line cards we deal with include Microchip,ALPS,ROHM,Xilinx,Pulse,ON,Everlight and Freescale. Main products comprise IC,Modules,Potentiometer,IC Socket,Relay,Connector.Our parts cover such applications as commercial,industrial, and automotives areas.

We are looking forward to setting up business relationship with you and hope to provide you with the best service and solution. Let us make a better world for our industry!



## Contact us

Tel: +86-755-8981 8866 Fax: +86-755-8427 6832

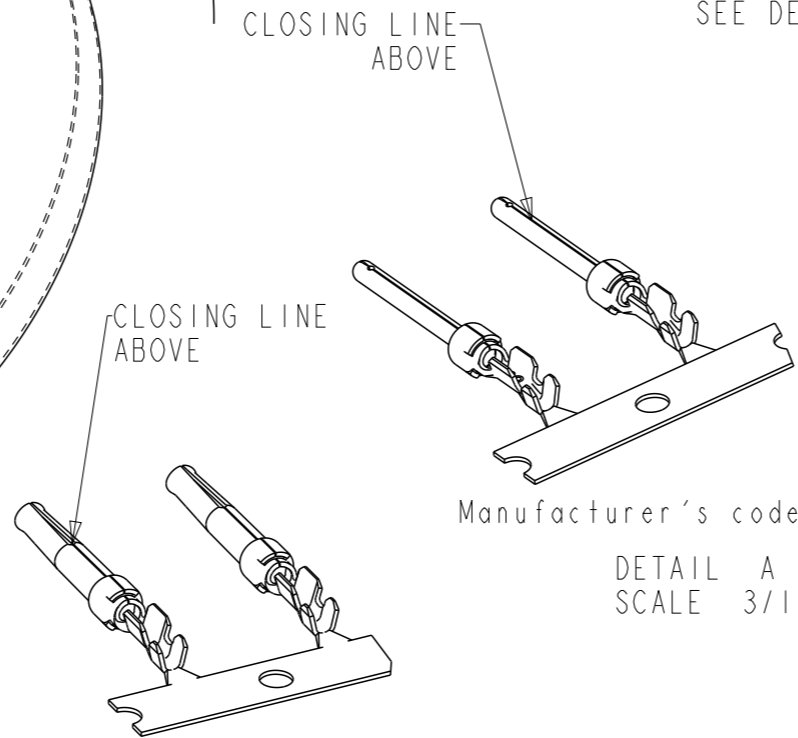
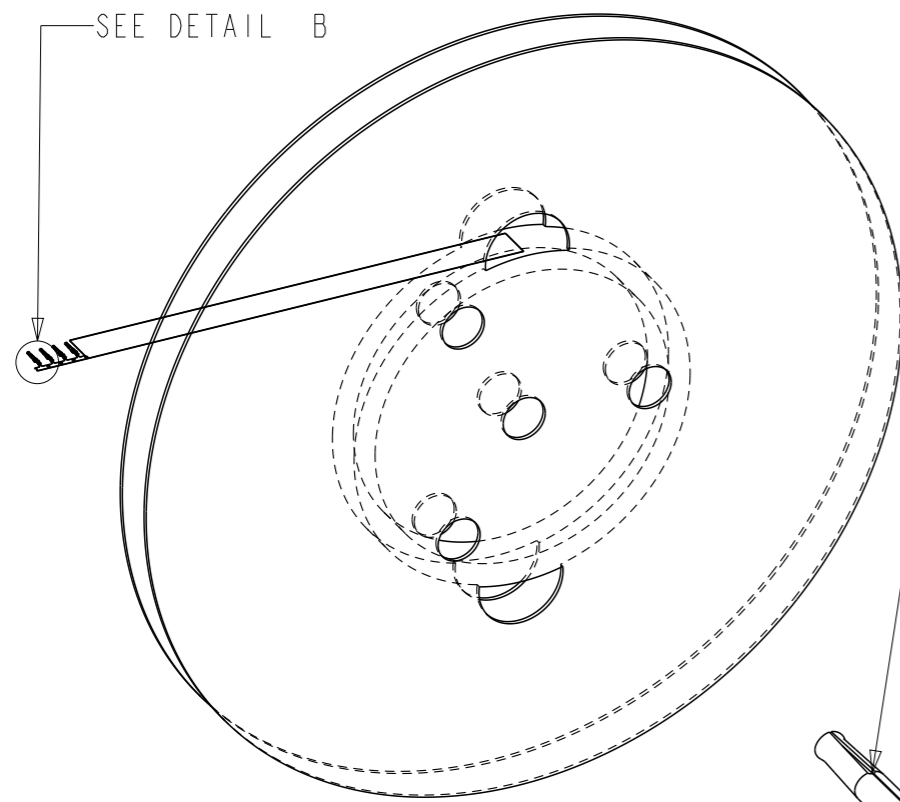
Email & Skype: info@chipsmall.com Web: www.chipsmall.com

Address: A1208, Overseas Decoration Building, #122 Zhenhua RD., Futian, Shenzhen, China

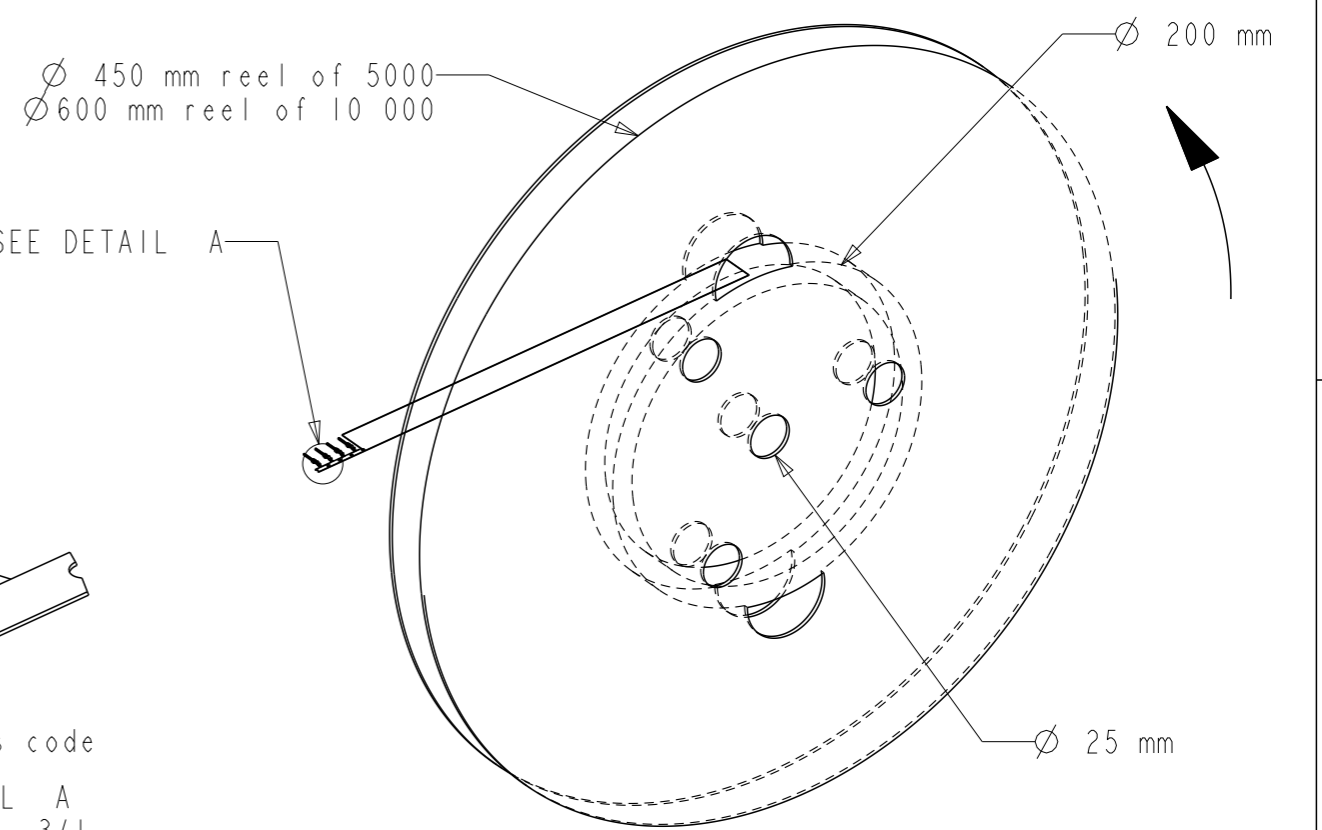


# REFERENCE FOR REEL ACCORDING TO FEEDING DIRECTION

GAUGE	REEL OF 5000 FEMALE CONTACTS		REEL OF 10000 FEMALE CONTACTS		GAUGE	REEL OF 5000 PIN CONTACTS		REEL OF 10000 PIN CONTACTS	
# 24-28	-	-	86566540064	86566540064LF	# 24-28	-	-	86564540064	86564540064LF
# 20-24	-	-	-	-	# 20-24	-	-	-	-
# 24-28	86566510065	86566510065LF	86566540065	86566540065LF	# 24-28	86564510065	86564510065LF	86564540065	86564540065LF
# 20-24	86566520065	86566520065LF	86566530065	86566530065LF	# 20-24	86564520065	86564520065LF	86564530065	86564530065LF
# 24-28	86566510067	86566510067LF	86566540067	86566540067LF	# 24-28	86564510067	86564510067LF	86564540067	86564540067LF
# 20-24	86566520067	86566520067LF	86566530067	86566530067LF	# 20-24	86564520067	86564520067LF	86564530067	86564530067LF



DETAIL B  
SCALE 3/1



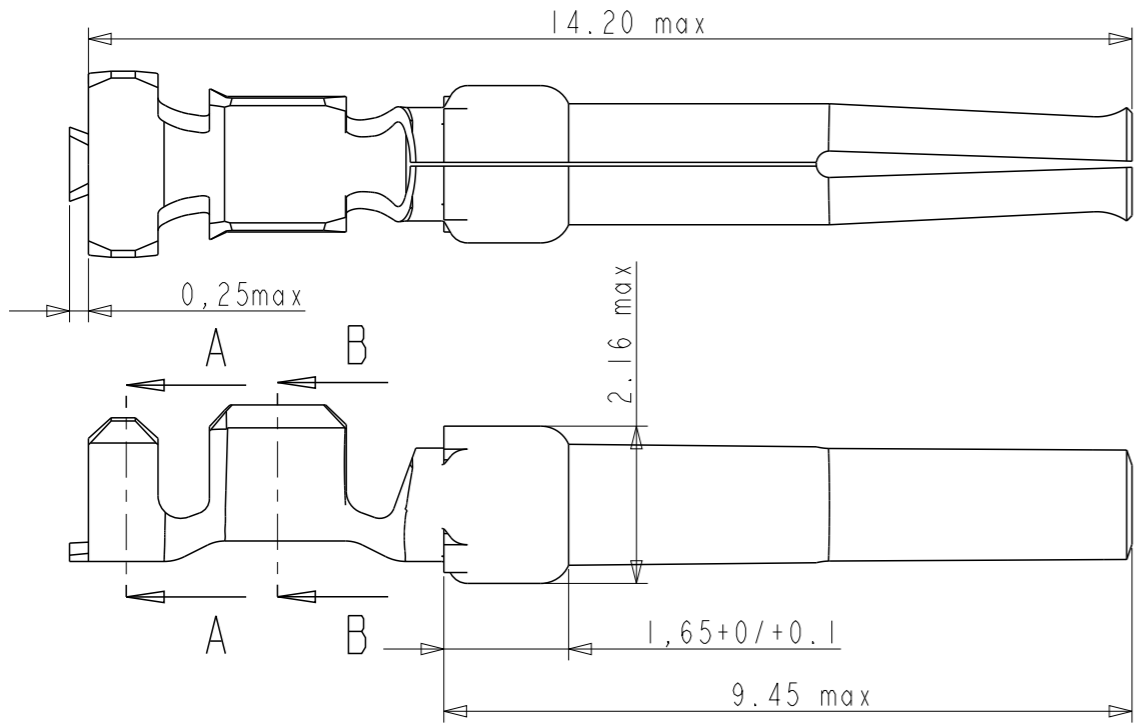
SEE DETAIL A

DETAIL A  
SCALE 3/1

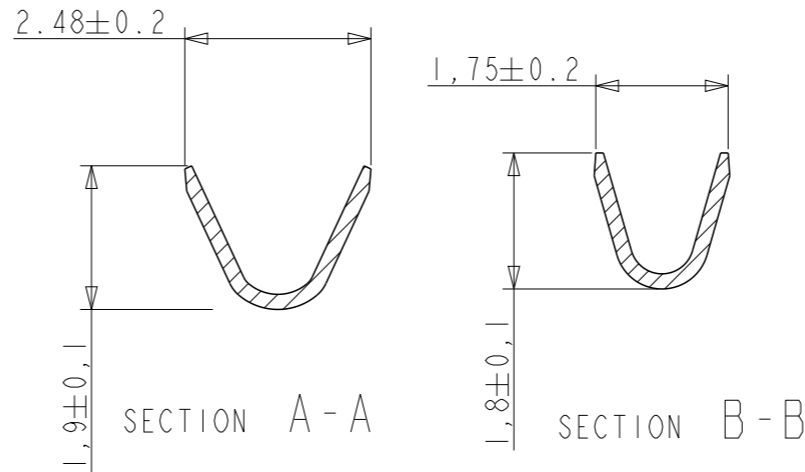
NOTE : ROHS INFORMATIONS  
 The LF products meet European union directives and other country regulations as described in GS-22-008  
 Terminations plating spec : 2um Nickel min + 2um Sn min  
 Packaging Spec : see GS-14-920

rev	ecn no	dr	date
K	111-0003	AMR	2011-01-06
E	LS06-196	MPE	27/11/2006
F	LS08-0096	MPE	2008/04/04
G	LS08-0127	MPE	2008/05/13
H	109-0152	AMR	2009-07-27
J	110-0070	AMR	2010-03-09

www.fciconnect.com		surface ISO 1302	tolerance std ISO 406 ISO 1101	projection A3	mm
		TOLERANCES UNLESS OTHERWISE SPECIFIED		size	Scale 5/1
Dr	CJARRY	11/07/03	ANGULAR	0.X ±0.3	ECN 111-0003
Eng	-	-	LINEAR	0.XX ±0.1	Spec ref -
Chr	-	-	0° ±2°	0.XXX ±0.05	
Appr	-	-	Product family	8656	
<b>FCi</b>		CRIMP CONTACTS		dwg no	Rev.
				C01-8656-1536	K
		catalog no		customer	sheet 1 of 2



CROSS SECTIONS FOR CT #20-24



NOTES

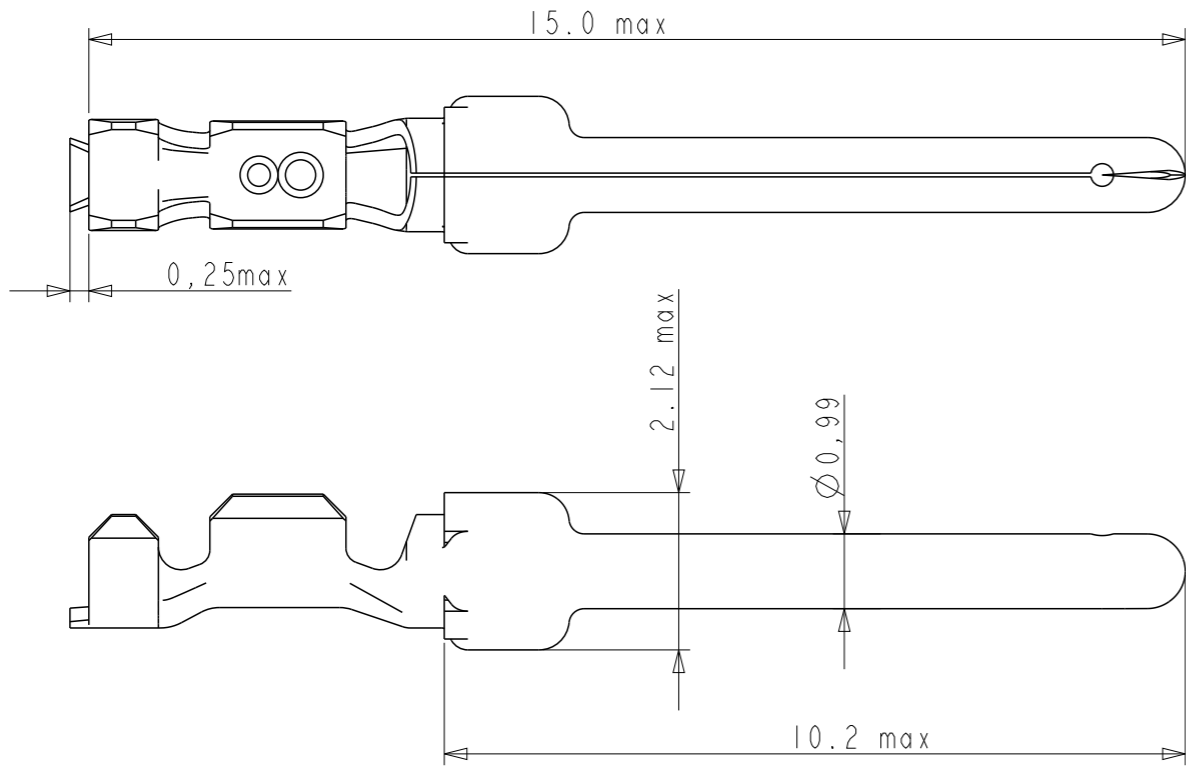
- 1- Material : Phosphor bronze, thickness 0.20
- 2 -Finish on contact area : termination 064:gold flash  
 termination 065:0.076μ Au / GXT  
 termination 067:0.4μ Au / GXT  
 finish on termination : bright tin over nickel
- 3 -Wire range :20 to 28 AWG(see ref sheet 1/2)
- 4 -Max outer dia of wire insulator:  
 -1.73 mm for contact #20-24  
 -1.02 mm for contact #24-28
- 5 -Current carrying capacity per contact:  
 5 Amps max when crimped to #20 AWG  
 5 Amps max when crimped to #22 AWG  
 3 Amps max when crimped to #24 AWG  
 2 Amps max when crimped to #26 AWG  
 1 Amps max when crimped to #28 AWG
- 6 -After 5 insertions into connector, contact retention must be 5 pounds axial load min
- 7 -When contact is crimped to 20 AWG, the insulation support crimped height must be 1.78 mm max to ensure a proper insertion into housing.
- 8-Reel should be continuous without any contacts missing in between
- 9 -Packaging : Reel

A

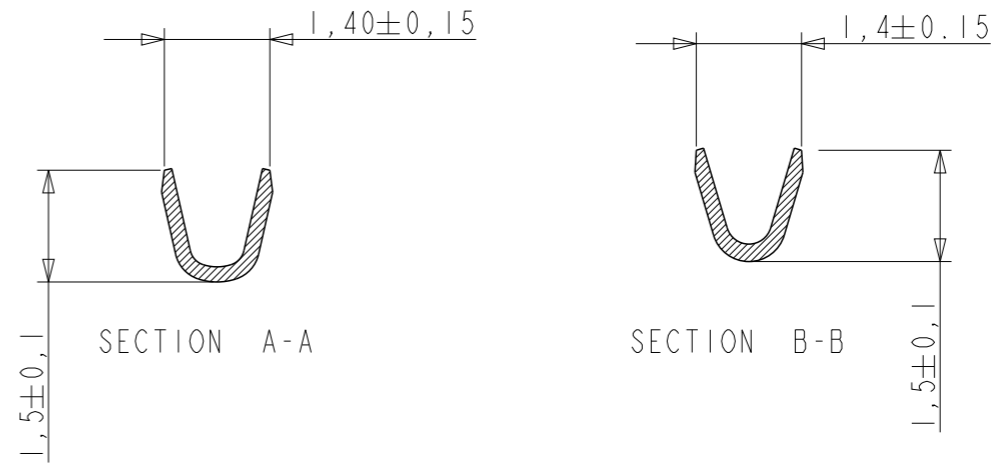
B

A

B



CROSS SECTIONS FOR CT #24-28

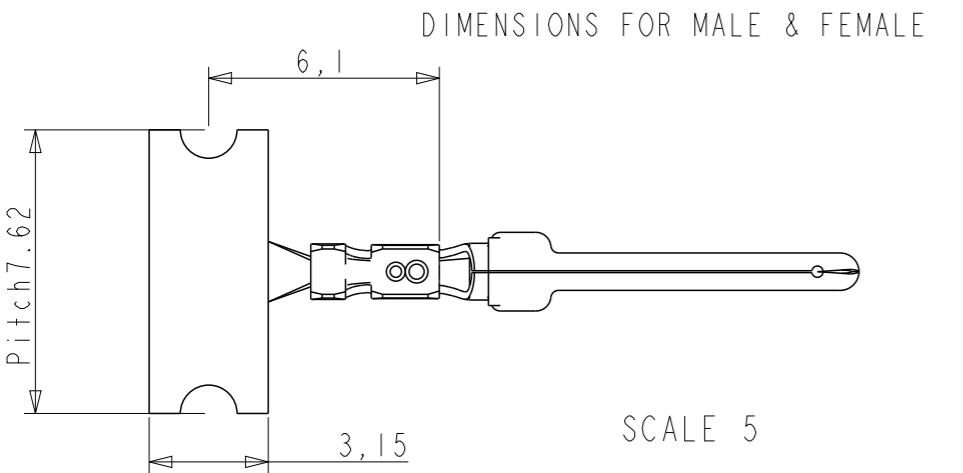


C

C



Copyright FCI.



www.fciconnect.com		surface - ✓ ISO 1302	tolerance std ISO 406 ISO 1101	projection mm
TOLERANCES UNLESS OTHERWISE SPECIFIED				
Dr	CJARRY	11/07/03	ANGULAR	0.X ±0.3
Eng	-	-	LINEAR	0.XX ±0.1
Chr	-	-	0° ±2°	0.XXX ±0.05
Appr	-	-	Product family	8656
FCI		title CRIMP CONTACTS		dwg no C01-8656-1536
catalog no		-		customer
				sheet 2 of 2

D

Rev. K