



Chipsmall Limited consists of a professional team with an average of over 10 year of expertise in the distribution of electronic components. Based in Hongkong, we have already established firm and mutual-benefit business relationships with customers from,Europe,America and south Asia,supplying obsolete and hard-to-find components to meet their specific needs.

With the principle of “Quality Parts,Customers Priority,Honest Operation,and Considerate Service”,our business mainly focus on the distribution of electronic components. Line cards we deal with include Microchip,ALPS,ROHM,Xilinx,Pulse,ON,Everlight and Freescale. Main products comprise IC,Modules,Potentiometer,IC Socket,Relay,Connector.Our parts cover such applications as commercial,industrial, and automotives areas.

We are looking forward to setting up business relationship with you and hope to provide you with the best service and solution. Let us make a better world for our industry!



Contact us

Tel: +86-755-8981 8866 Fax: +86-755-8427 6832

Email & Skype: info@chipsmall.com Web: www.chipsmall.com

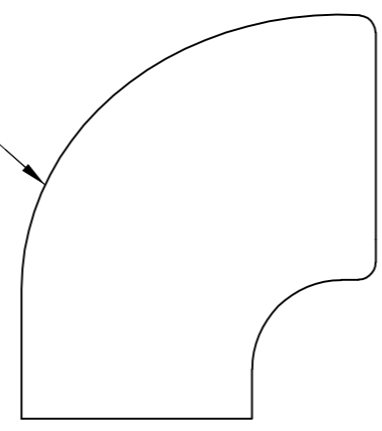
Address: A1208, Overseas Decoration Building, #122 Zhenhua RD., Futian, Shenzhen, China



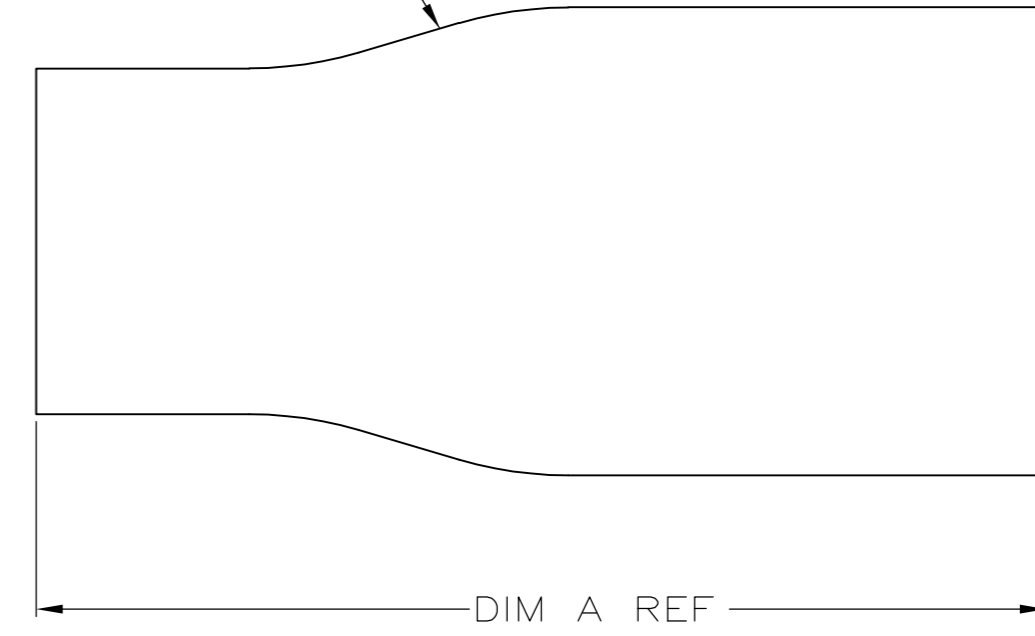
THIS DRAWING IS UNPUBLISHED. RELEASED FOR PUBLICATION
 © COPYRIGHT - By - ALL RIGHTS RESERVED.

LOC		DIST		REVISIONS			
P	LTR	DESCRIPTION		DATE	DWN	APVD	
-	-	G	REV PER ECO 12-014639	8-9-12	CT	DE	

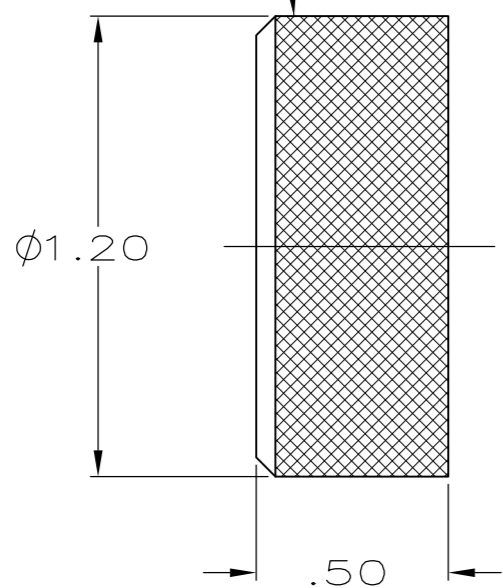
BOOT, SHRINKABLE, 90°
 MAT'L: POLYOLEFIN



BOOT, SHRINKABLE, STRAIGHT
 MAT'L: POLYOLEFIN

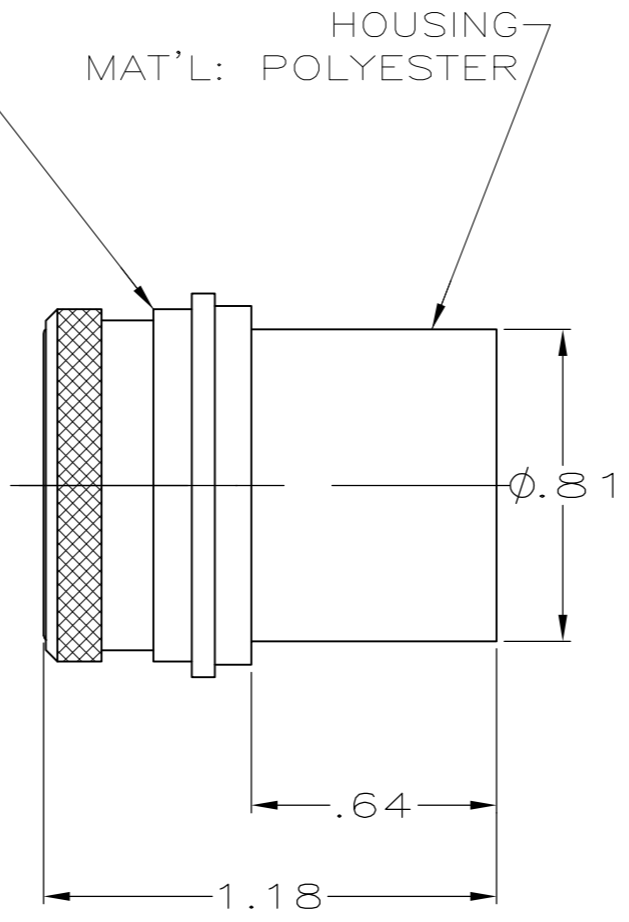


CAP
 MAT'L: BRASS
 FINISH: NICKEL
 OVER COPPER FLASH



FERRULE
 MAT'L: BRASS
 FINISH: NICKEL
 OVER COPPER FLASH

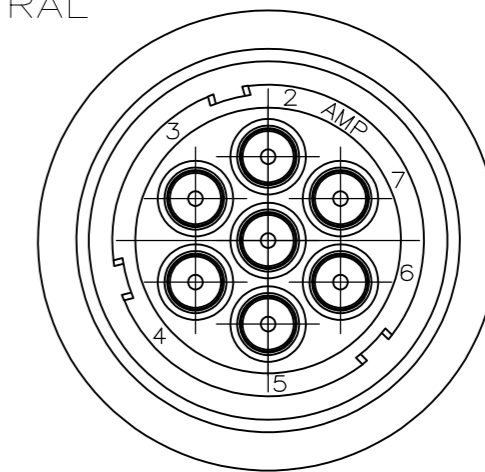
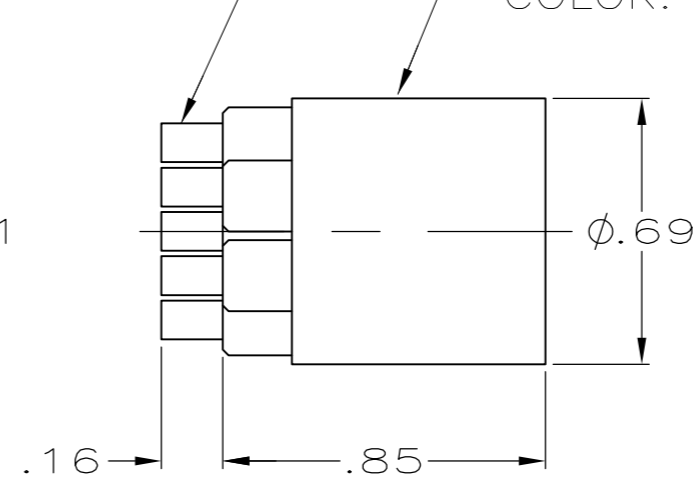
2 -5 ONLY



HOUSING
 MAT'L: POLYESTER

SOCKET END

SLUG
 MAT'L: SILICONE RUBBER
 COLOR: NATURAL



1 REF. DIMENSION "A" APPLIES ONLY AFTER SHRINKING OF SHRINK BOOT.
 2 FERRULE IS NOT ATTACHED TO PLUG HOUSING. (-5 ONLY)

2	-	NO SHRINKABLE BOOT	865656-5
-	3.15	STRAIGHT SHRINKABLE BOOT	865656-4
-	-	NO SHRINKABLE BOOT	865656-3
-	-	90° SHRINKABLE BOOT	865656-2
-	2.63	STRAIGHT SHRINKABLE BOOT	865656-1
REMARKS	DIM A 1	DISCRIPTION	PART NUMBER

THIS DRAWING IS A CONTROLLED DOCUMENT.		DWN C.C.THOMAS 7-15-96	TE Connectivity	
DIMENSIONS: INCHES		CHK S.GLATFELTER 8-13-96	PLUG KIT, 7 PIN MINIATURE, LGH	
TOLERANCES UNLESS OTHERWISE SPECIFIED:		APVD -	NAME	
0 PLC ± -		PRODUCT SPEC	SIZE	CAGE CODE
1 PLC ± -		APPLICATION SPEC	DRAWING NO	RESTRICTED TO
2 PLC ± .03			A2	00779
3 PLC ± .015		WEIGHT	C=865656	
4 PLC ± -			SCALE	SHEET
ANGLES ± -		CUSTOMER DRAWING	2:1	1 of 1
FINISH			REV	G
SEE CALLOUTS				