



Chipsmall Limited consists of a professional team with an average of over 10 year of expertise in the distribution of electronic components. Based in Hongkong, we have already established firm and mutual-benefit business relationships with customers from,Europe,America and south Asia,supplying obsolete and hard-to-find components to meet their specific needs.

With the principle of “Quality Parts,Customers Priority,Honest Operation,and Considerate Service”,our business mainly focus on the distribution of electronic components. Line cards we deal with include Microchip,ALPS,ROHM,Xilinx,Pulse,ON,Everlight and Freescale. Main products comprise IC,Modules,Potentiometer,IC Socket,Relay,Connector.Our parts cover such applications as commercial,industrial, and automotives areas.

We are looking forward to setting up business relationship with you and hope to provide you with the best service and solution. Let us make a better world for our industry!



## Contact us

Tel: +86-755-8981 8866 Fax: +86-755-8427 6832

Email & Skype: info@chipsmall.com Web: www.chipsmall.com

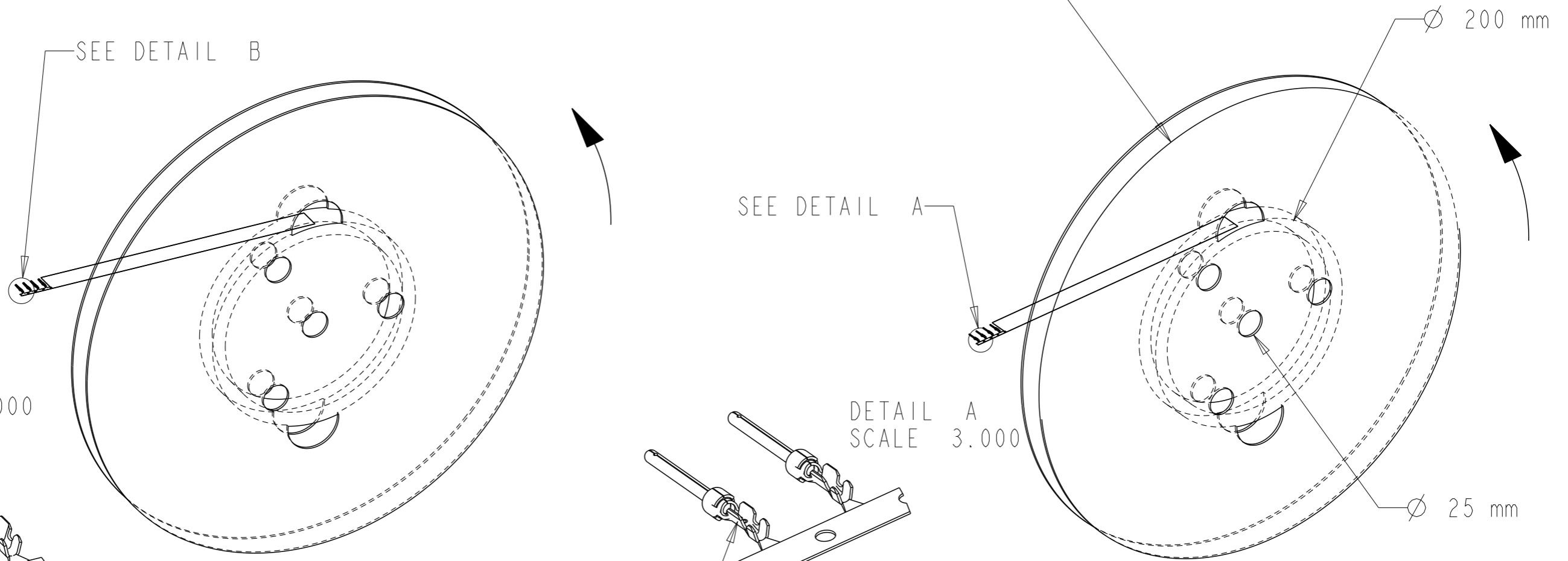
Address: A1208, Overseas Decoration Building, #122 Zhenhua RD., Futian, Shenzhen, China



# REFERENCE FOR REEL ACCORDING TO FEEDING DIRECTION

GAUGE	REEL OF 5000 FEMALE CTS		REEL OF 10 000 FEMALE CTS		GAUGE	REEL OF 5000 PIN CONTACTS		REEL OF 10 000 PIN CTS	
# 24-28	86566510064	86566510064LF		-	# 24-28	86564510064	86564510064LF		-
# 20-24	86566520064	86566520064LF	86566530064	86566530064LF	# 20-24	86564520064	86564520064LF	86564530064	86564530064LF

$\varnothing$  450 mm reel of 5000  
 $\varnothing$  600 mm reel of 10 000



DETAIL B  
SCALE 3.000

DETAIL A  
SCALE 3.000

Manufacturer's code

CONTACT DIMENSIONS  
SEE SHEET 2/2

**CORE RANGE**

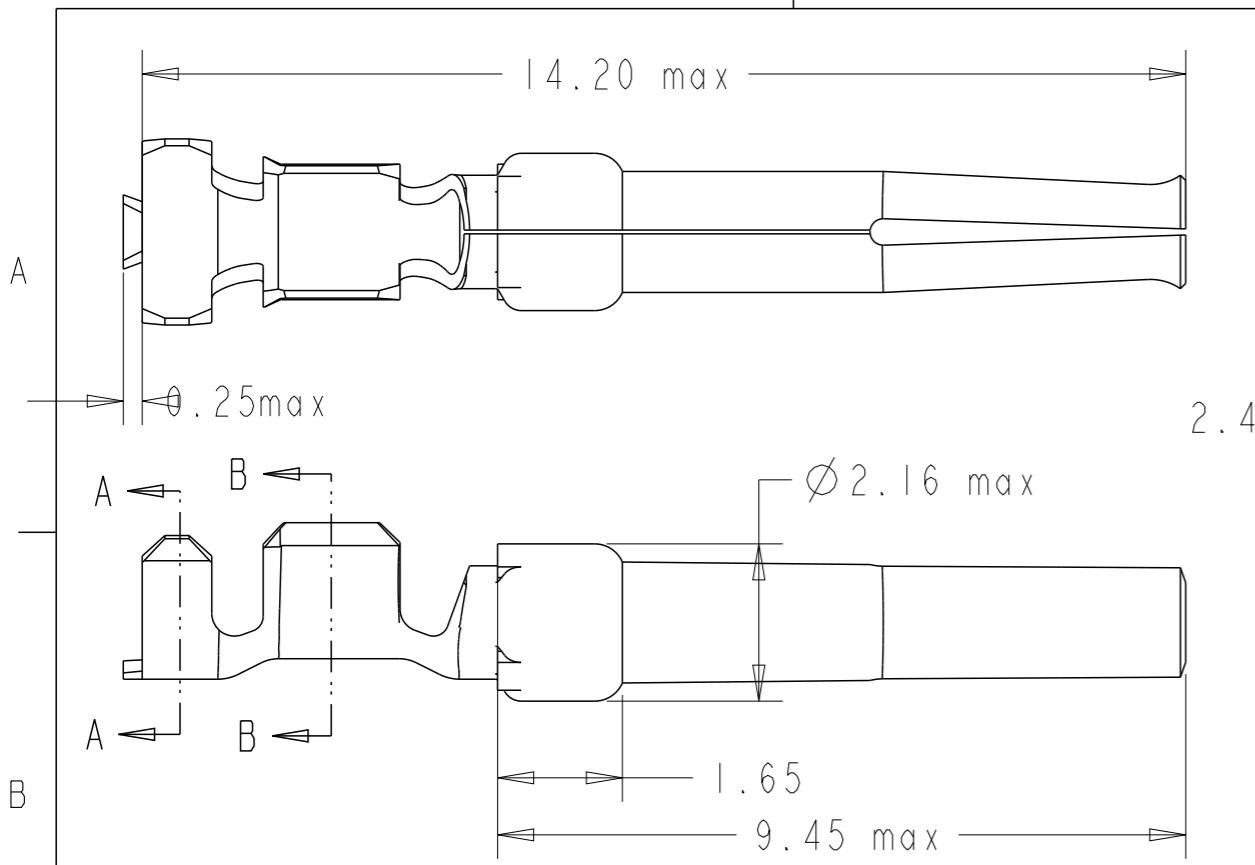


Copyright FCI.

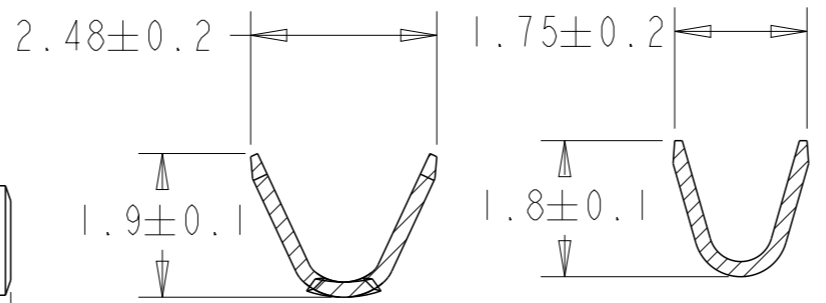
**NOTE: ROHS INFORMATIONS**  
 The LF products meet European union directives and other country regulations as described in GS-22-008  
 Terminations plating spec: 2 $\mu$ m Nickel min + 2 $\mu$ m Sn min  
 Packaging spec: see GS-14-920

rev	ecn no	dr	date
F	LS06-196	MPE	27/11/2006
G	LS08-0127	MPE	2008/05/13
H	109-0152	AMR	2009-07-27
J	110-0070	AMR	2010-03-09
-	-	-	-
-	-	-	-
-	-	-	-

www.fciconnect.com		surface ISO 1302	-	tolerance std ISO 406 ISO 1101	projection mm	mm
TOLERANCES UNLESS OTHERWISE SPECIFIED						
Dr	-	18/04/03	ANGULAR	0.X	$\pm 0.3$	size A3
Eng	-	-	LINEAR	0.XX	$\pm 0.1$	Scale 1.000
Chr	-	-	0° $\pm 2^\circ$	0.XXX	$\pm 0.05$	ECN 110-0070
Appr	-	-	Product family	-		Spec ref -
<b>FCI</b>		CRIMP PIN		dwg no C01-8656-0522		Rev. J
#Wire 24-28 $\varnothing$ 1.02		catalog no		customer		sheet 1 of 2

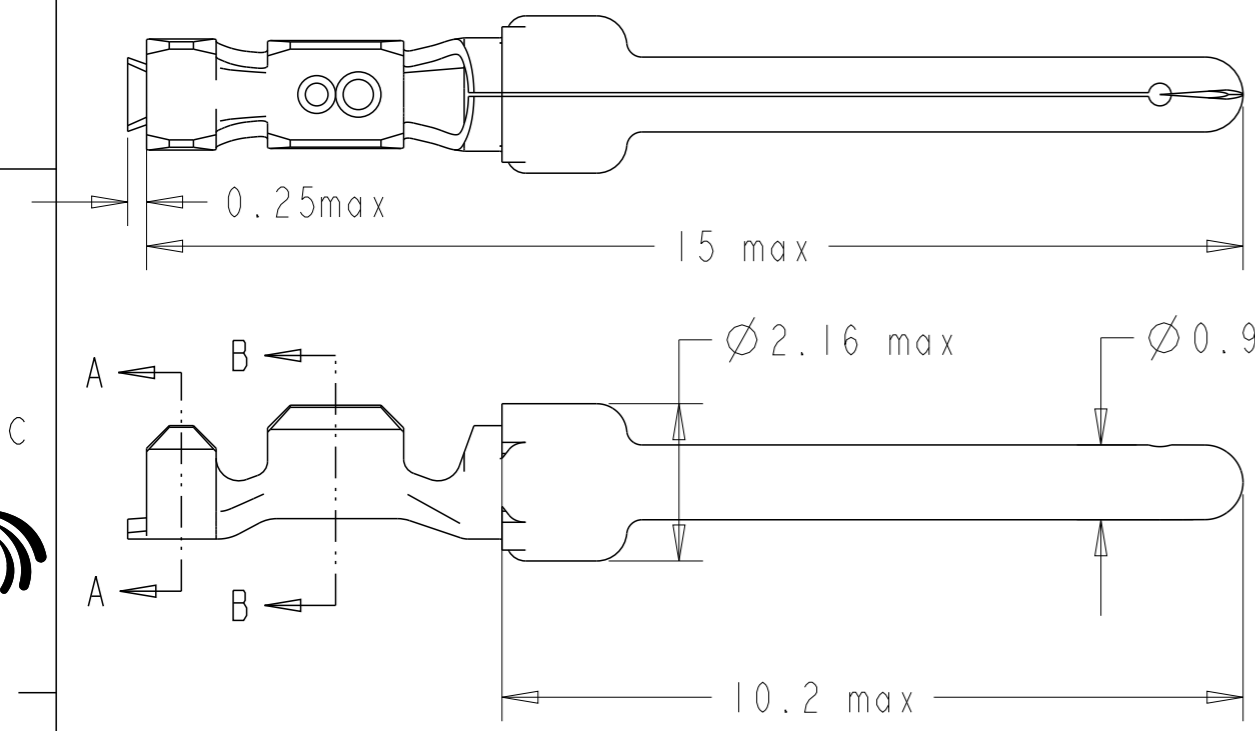


CROSS SECTIONS FOR CT #20-24

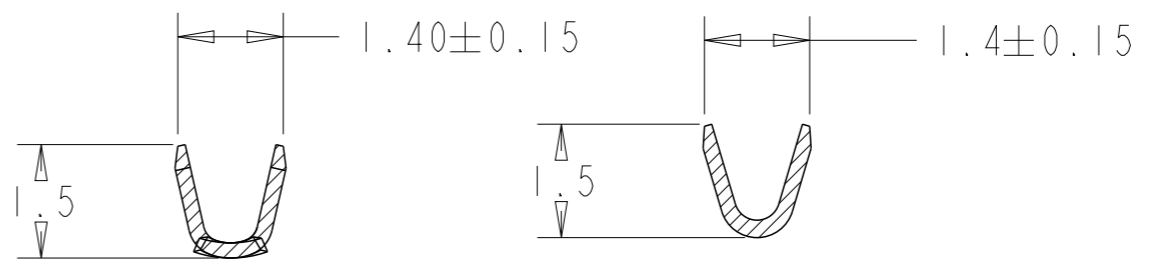


SECTION A-A SECTION B-B

- NOTES:
- 1-Material: Phosphor bronze, thickness 0.20  
socket :Phosphor bronze
  - 2-Finish on contact area:  
-termination 064.. gold flash  
finish on termination:bright tin over nickel
  - 3-Wire range:20 to 28 AWG(see ref sheet 1/2)
  - 4-Max outer dia of wire insulator:  
-1.73 mm for contact #20-24  
-1.02 mm for contact #24-28
  - 5-Current carrying capacity per contact:  
5.Amps max when crimped to #20 AWG  
5 Amps max when crimped to #22 AWG  
3 Amps max when crimped to #24 AWG  
2 Amps max when crimped to #26 AWG  
1 Amps max when crimped to #28 AWG
  - 6-After 5 insertions into connector,  
contact retention must be 5 pounds axial load min
  - 7-When contact is crimped to 20 AWG, the insulation  
support crimped height must be 1.78 mm max to ensure  
a proper insertion into housing
  - 6-Packaging:Reel



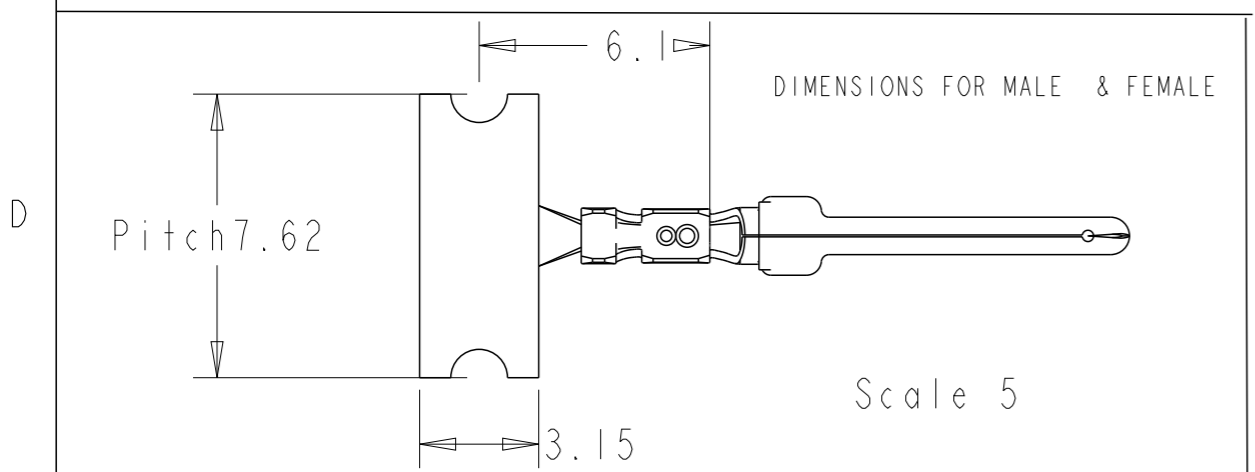
CROSS SECTIONS FOR CT #24-28



SECTION A-A SECTION B-B



Copyright FCI.



www.fciconnect.com		surface - ✓ ISO 1302	tolerance std ISO 406 ISO 1101	projection mm
TOLERANCES UNLESS OTHERWISE SPECIFIED				
Dr	-	18/04/03	ANGULAR	0.X ±0.3
Eng	-	-	LINEAR	0.XX ±0.1
Chr	-	-	0° ±2°	0.XXX ±0.05
Appr	-	-	Product family	ECN 110-0070
FCI		CRIMP PIN		Rev. J
#Wire 24-28 Ø1.02		dwg no C01-8656-0522		customer
catalog no -		sheet 2 of 2		