



Chipsmall Limited consists of a professional team with an average of over 10 year of expertise in the distribution of electronic components. Based in Hongkong, we have already established firm and mutual-benefit business relationships with customers from,Europe,America and south Asia,supplying obsolete and hard-to-find components to meet their specific needs.

With the principle of “Quality Parts,Customers Priority,Honest Operation,and Considerate Service”,our business mainly focus on the distribution of electronic components. Line cards we deal with include Microchip,ALPS,ROHM,Xilinx,Pulse,ON,Everlight and Freescale. Main products comprise IC,Modules,Potentiometer,IC Socket,Relay,Connector.Our parts cover such applications as commercial,industrial, and automotives areas.

We are looking forward to setting up business relationship with you and hope to provide you with the best service and solution. Let us make a better world for our industry!



## Contact us

Tel: +86-755-8981 8866 Fax: +86-755-8427 6832

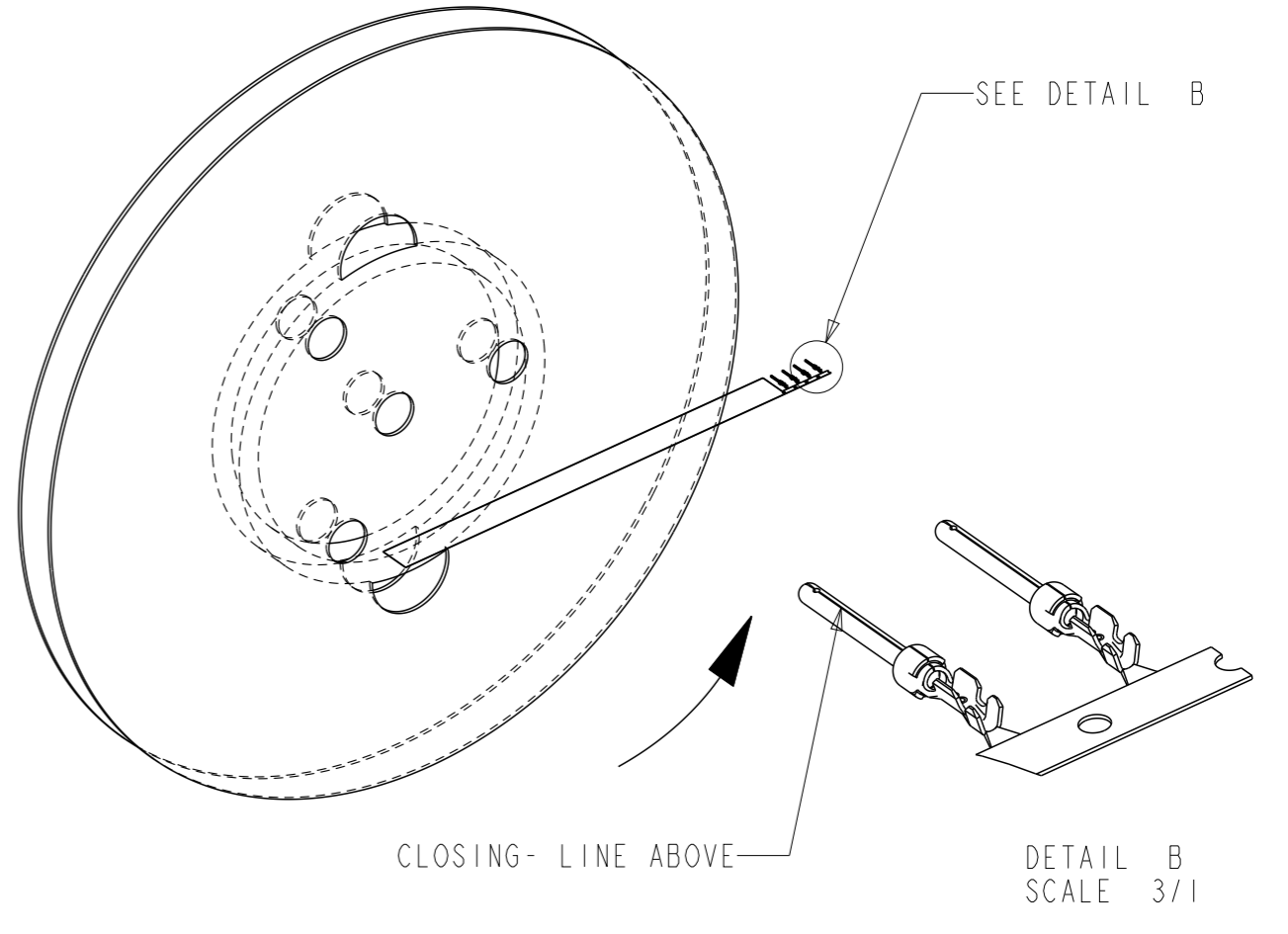
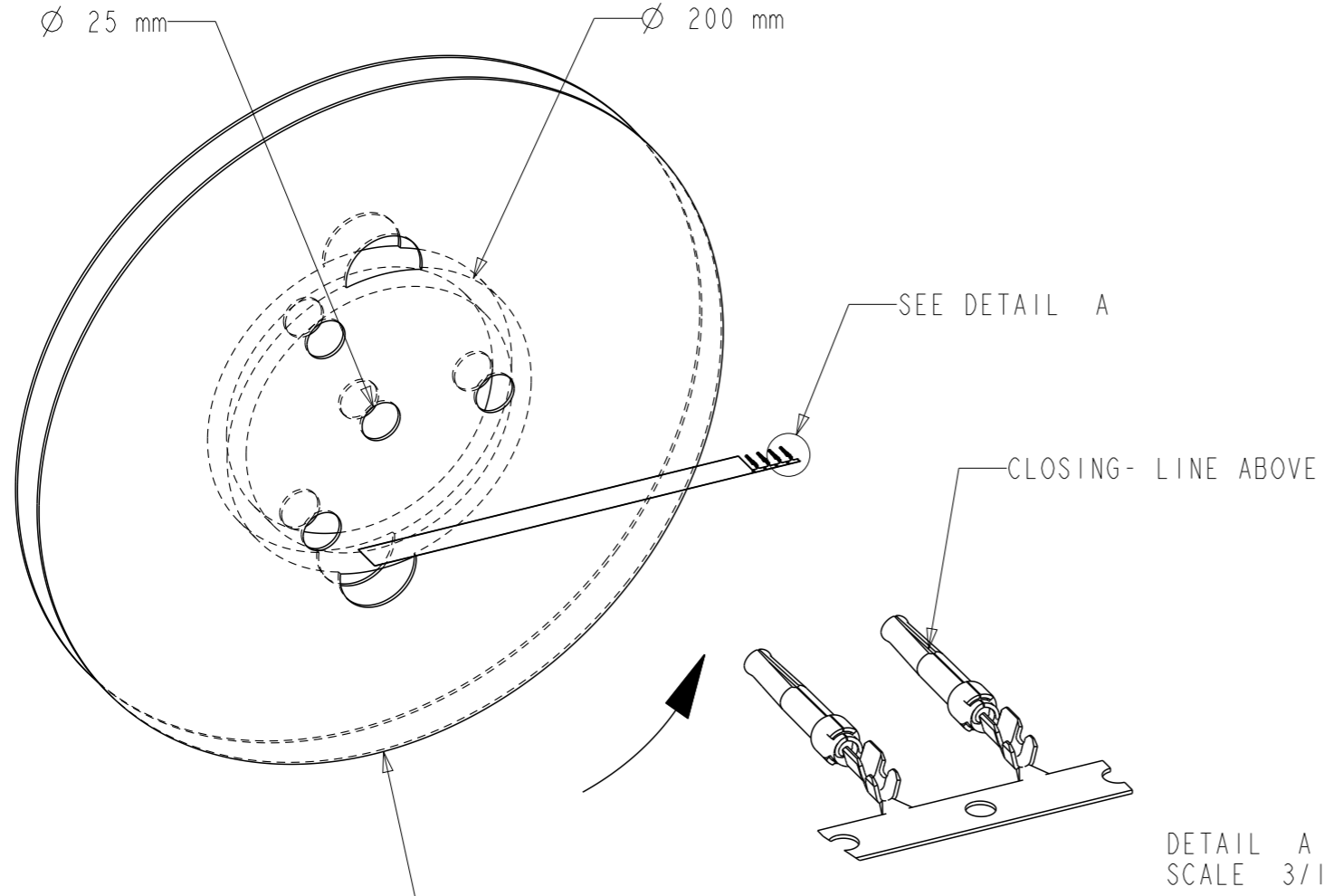
Email & Skype: info@chipsmall.com Web: www.chipsmall.com

Address: A1208, Overseas Decoration Building, #122 Zhenhua RD., Futian, Shenzhen, China



# REFERENCE FOR REEL ACCORDING TO FEEDING DIRECTION

GAUGE	REEL OF 5000 FEMALE CONTACTS		REEL OF 10000 FEMALE CONTACTS		GAUGE	REEL OF 5000 PIN CONTACTS		REEL OF 10000 PIN CONTACTS	
	Part No.	Part No.	Part No.	Part No.		Part No.	Part No.	Part No.	Part No.
# 24-28	86566610064	86566610064LF	86566640064	86566640064LF	# 24-28	86564610064	86564610064LF	86564640064	86564640064LF
# 20-24	86566620064	86566620064LF	86566630064	86566630064LF	# 20-24	86564620064	86564620064LF	86564630064	86564630064LF
# 24-28	86566610065	86566610065LF	86566640065	86566640065LF	# 24-28	86564610065	86564610065LF	-----	
# 20-24	86566620065	86566620065LF	86566630065	86566630065LF	# 20-24	86564620065	86564620065LF	86564630065	86564630065LF
# 24-28	86566610067	86566610067LF	86566640067	86566640067LF	# 24-28	86564610067	86564610067LF	-----	
# 20-24	86566620067	86566620067LF	86566630067	86566630067LF	# 20-24	86564620067	86564620067LF	86564630067	86564630067LF



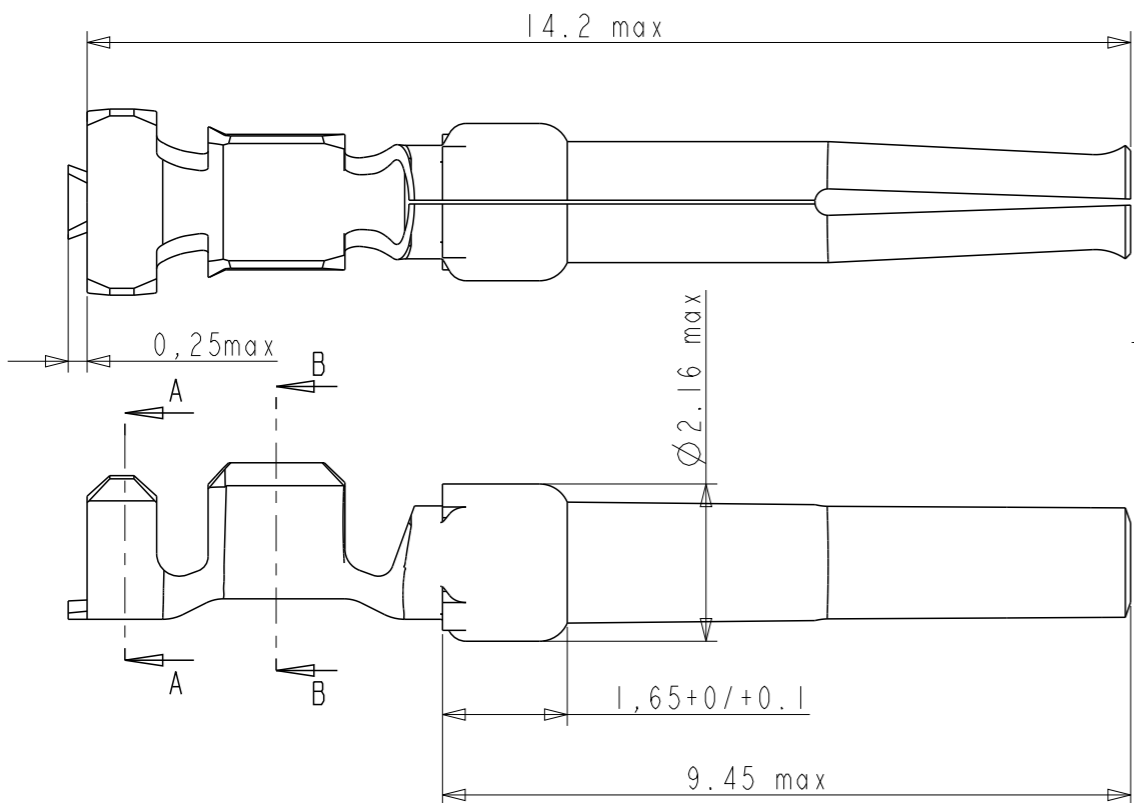
$\varnothing$  450 reel 5000cts  
 $\varnothing$  600 reel 10 000cts

**NOTE : ROHS INFORMATIONS**  
 The LF products meet European union directives and other country regulations as described in GS-22-008  
 Terminations plating spec : 2um Nickel min + 2um Sn min  
 Packaging Spec : see GS-14-920

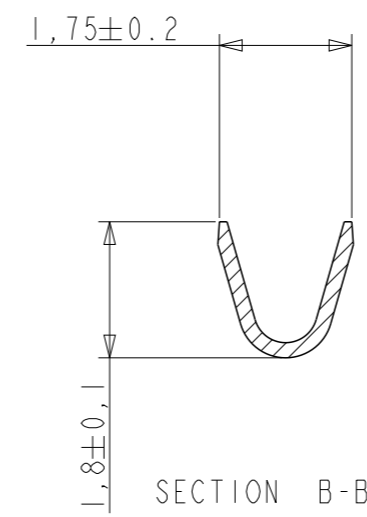
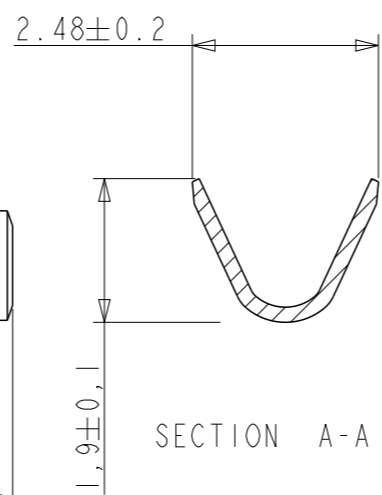
rev	ecn no	dr	date
D	LS3082	MPE	01/10/03
E	LS05-0094	LGO	18/10/05
F	LS06-0196	MPE	27/11/2006
G	LS08-0127	MPE	2008/05/13
H	109-0152	AMR	2009-07-27
J	110-0070	AMR	2010-03-09
K	111-0003	AMR	2011-01-06

www.fciconnect.com		surface - <input checked="" type="checkbox"/> ISO 1302	tolerance std - <input checked="" type="checkbox"/> ISO 406 <input type="checkbox"/> ISO 1101	projection	mm
TOLERANCES UNLESS OTHERWISE SPECIFIED					
Dr	M PESSON	11/07/03	ANGULAR	0.X	$\pm 0.3$
Eng	-	-	LINEAR	0.XX	$\pm 0.1$
Chr	P LEGARE	11/07/03	0° $\pm 2^\circ$	0.XXX	$\pm 0.05$
Appr	-	-	Product family	-	Spec ref
CRIMP PIN			#Wire 24-28 $\varnothing$ 1.02		dwg no
					C01-8656-1527
			CUSTOMER		Rev. K
			sheet 1 of 2		

Copyright FCI.

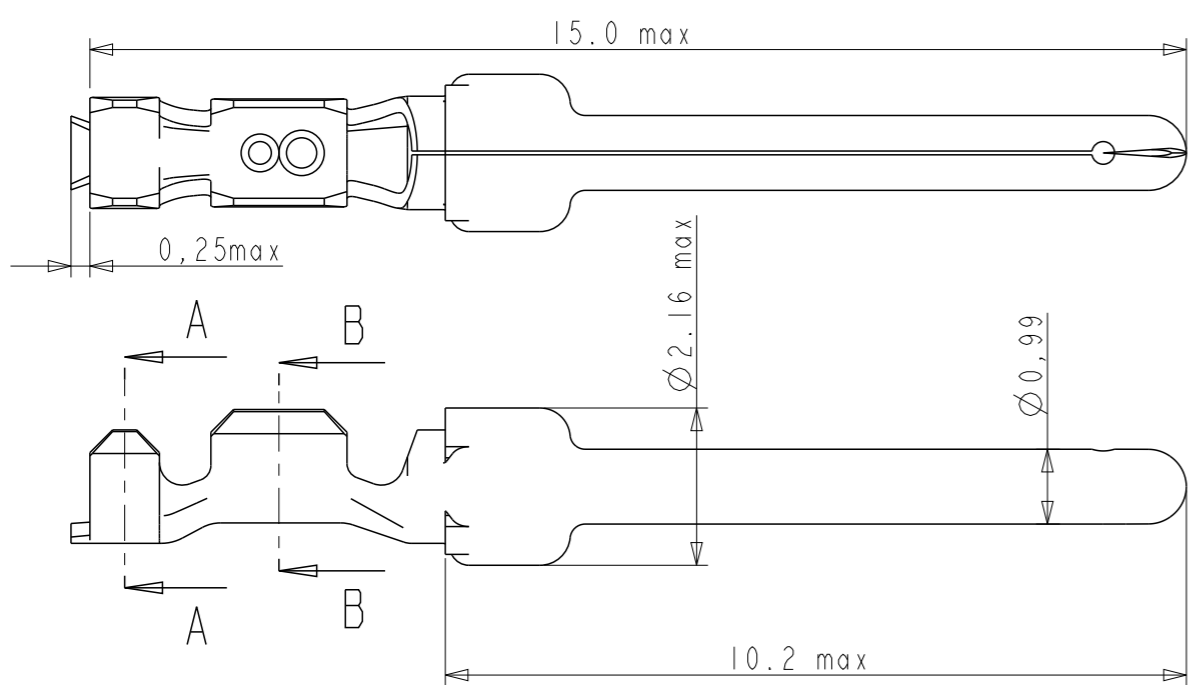


CROSS SECTION FOR CT #20-24

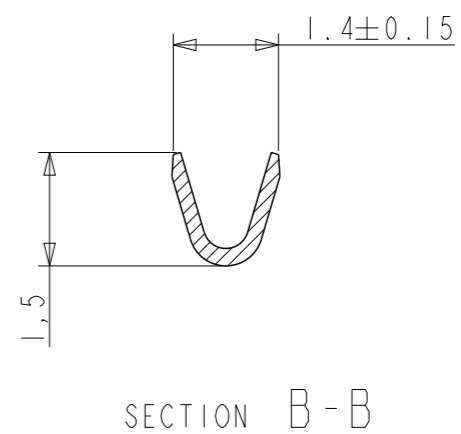
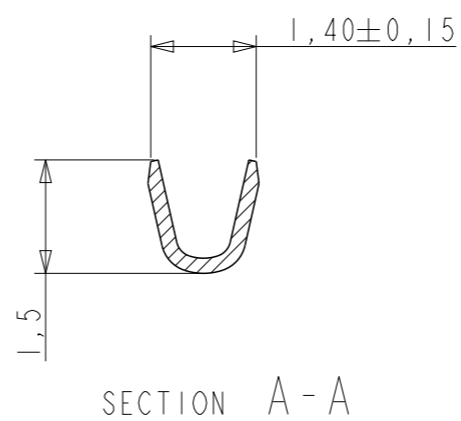


NOTES

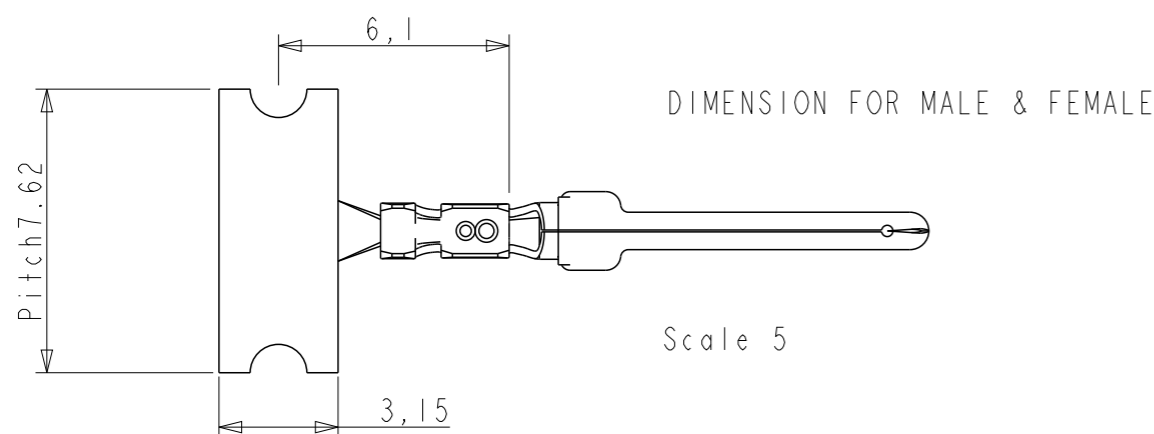
- 1- Material : Phosphor bronze, thickness 0.20
- 2 -Finish on contact area : termination 064:gold flash  
 terminaion 065:076μ Au / GXT  
 termination 067:0,4μ Au / GXT  
 finish on termination : bright tin over nickel
- 3 -Wire range :20 to 28 AWG(see ref sheet 1/2)
- 4 -Max outer dia of wire insulator:  
 -1.73 mm for contact #20-24  
 -1.02 mm for contact #24-28
- 5 -Current carrying capacity per contact:  
 5 Amps max when crimped to #20 AWG  
 5 Amps max when crimped to #22 AWG  
 3 Amps max when crimped to #24 AWG  
 2 Amps max when crimped to #26 AWG  
 1 Amps max when crimped to #28 AWG
- 6 -After 5 insertions into connector, contact retention must be 5 pounds axial load min
- 7 -When contact is crimped to 20 AWG, the insulation support crimped height must be 1.78 mm max to ensure a proper insertion into housing.
- 8-Reel should be continous without any contacts missing in between
- 9 -Packaging : Reel



CROSS SECTION FOR CT #24-28



Copyright FCI.



www.fciconnect.com		surface - ✓ ISO 1302	tolerance std ISO 406 ISO 1101	projection mm
TOLERANCES UNLESS OTHERWISE SPECIFIED				
Dr	M PESSON	11/07/03	ANGULAR	0.X ±0.3
Eng	-	-	LINEAR	0.XX ±0.1
Chr	P LEGARE	11/07/03	0° ±2°	0.XXX ±0.05
Appr	-	-	Product family	-
FCI		title CRIMP PIN		Rev.
		#Wire 24-28 Ø1.02		K
catalog no		-		
CUSTOMER		dwg no C01-8656-1527		sheet 2 of 2