



Chipsmall Limited consists of a professional team with an average of over 10 year of expertise in the distribution of electronic components. Based in Hongkong, we have already established firm and mutual-benefit business relationships with customers from,Europe,America and south Asia,supplying obsolete and hard-to-find components to meet their specific needs.

With the principle of “Quality Parts,Customers Priority,Honest Operation,and Considerate Service”,our business mainly focus on the distribution of electronic components. Line cards we deal with include Microchip,ALPS,ROHM,Xilinx,Pulse,ON,Everlight and Freescale. Main products comprise IC,Modules,Potentiometer,IC Socket,Relay,Connector.Our parts cover such applications as commercial,industrial, and automotives areas.

We are looking forward to setting up business relationship with you and hope to provide you with the best service and solution. Let us make a better world for our industry!



Contact us

Tel: +86-755-8981 8866 Fax: +86-755-8427 6832

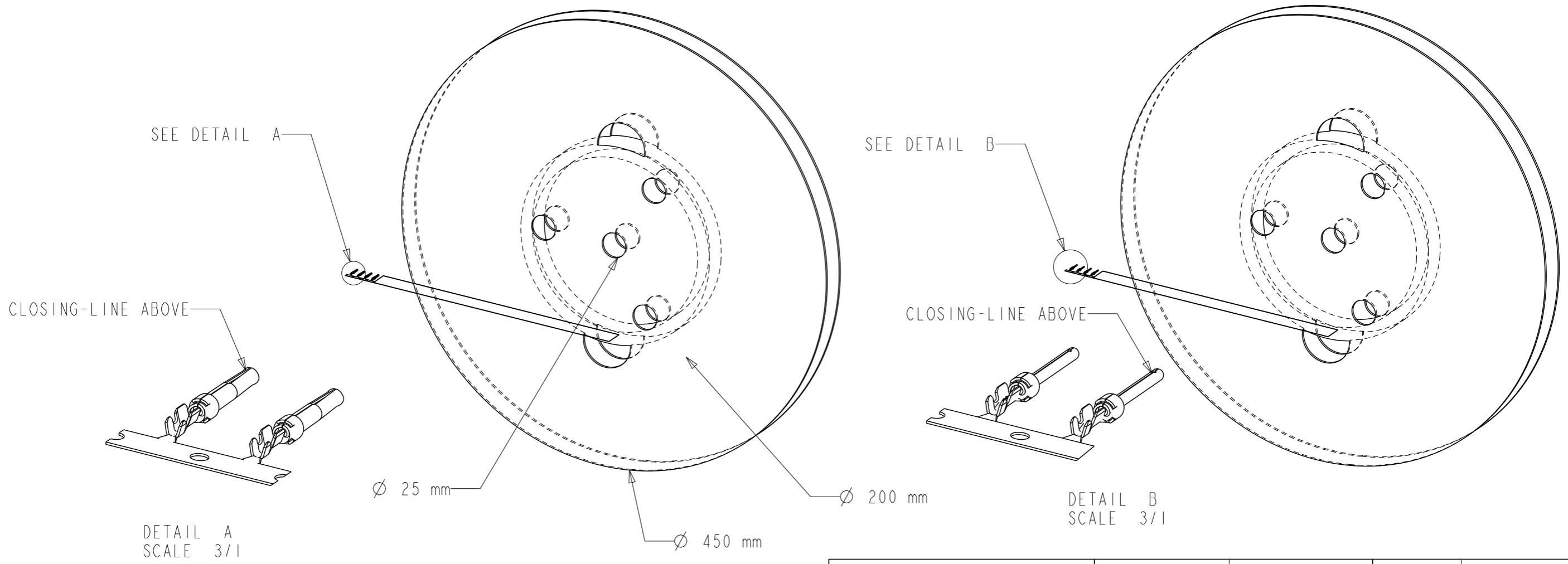
Email & Skype: info@chipsmall.com Web: www.chipsmall.com

Address: A1208, Overseas Decoration Building, #122 Zhenhua RD., Futian, Shenzhen, China



REFERENCE FOR REEL ACCORDING TO FEEDING DIRECTION

GAUGE	REEL OF 5000 FEMALE CONTACTS		REEL OF 10000 FEMALE CONTACTS	GAUGE	REEL OF 5000 PIN CONTACTS		REEL OF 10000 PIN CONTACTS
# 24-28	86566710064	86566710064LF	-----	# 24-28	86564710064	86564710064LF	-----
# 20-24	86566720064	86566720064LF	-----	# 20-24	86564720064	86564720064LF	-----
# 24-28	86566710065	86566710065LF	-----	# 24-28	86564710065	86564710065LF	-----
# 20-24	86566720065	86566720065LF	-----	# 20-24	86564720065	86564720065LF	-----
# 24-28	86566710067	86566710067LF	-----	# 24-28	86564710067	86564710067LF	-----
# 20-24	86566720067	86566720067LF	-----	# 20-24	86564720067	86564720067LF	-----



Copyright FCI.

NOTE : ROHS INFORMATIONS
 The LF products meet European union directives and other country regulations as described in GS-22-008
 Terminations plating spec : 2um Nickel min + 2um Sn min
 Packaging Spec : see GS-14-920

rev	ecn no	dr	date
E	LS06-196	MPE	27/11/2006
F	LS08-0127	MPE	2008/05/13
G	109-0152	AMR	2009-07-27
H	110-0070	AMR	2010-03-09
J	111-0003	AMR	2011-01-06
-	-	-	-
-	-	-	-

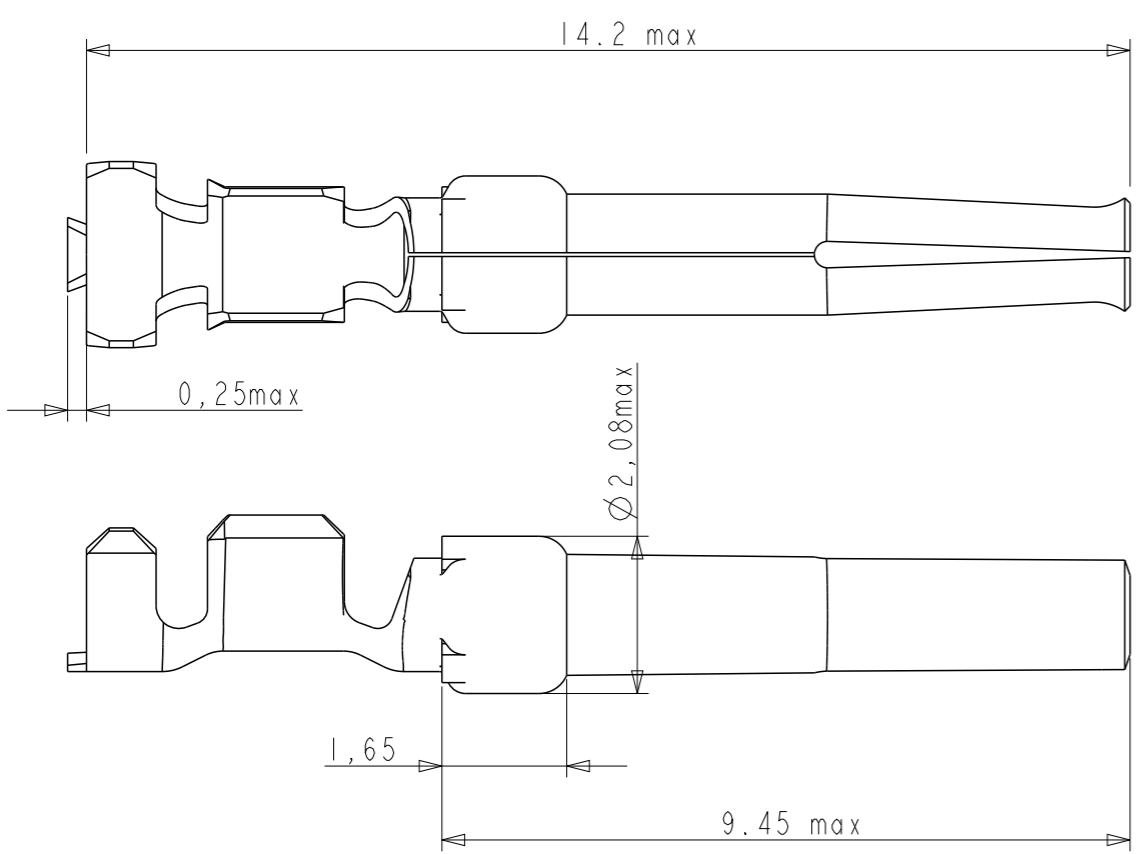
www.fciconnect.com		surface - <input checked="" type="checkbox"/> ISO 1302	tolerance std ISO 406 ISO 1101	projection	mm
TOLERANCES UNLESS OTHERWISE SPECIFIED					
Dr	C JARRY	13/05/02	ANGULAR	size A3	Scale 5/1
Eng	-	-	LINEAR	ECN 111-0003	
Chr	-	-	0° ±2°	Spec ref	
Appr	-	-	Product family	8656	
		CRIMP CONTACTS		dwg no	Rev.
				C01-8656-1525	J
		catalog no		customer	sheet 1 of 2

1

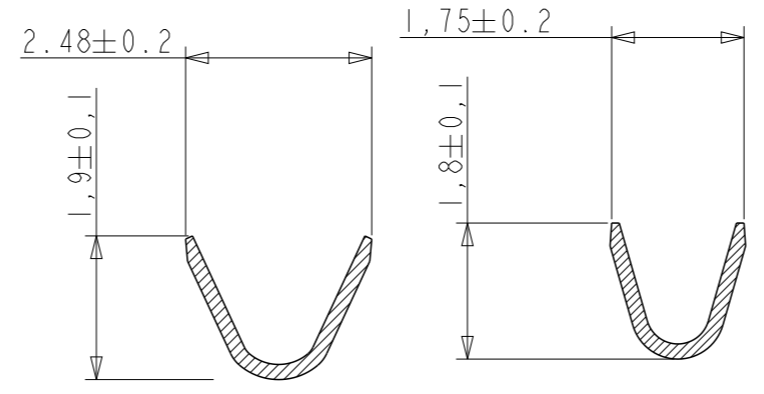
2

3

4



CROSS SECTIONS
FOR CT #20-24

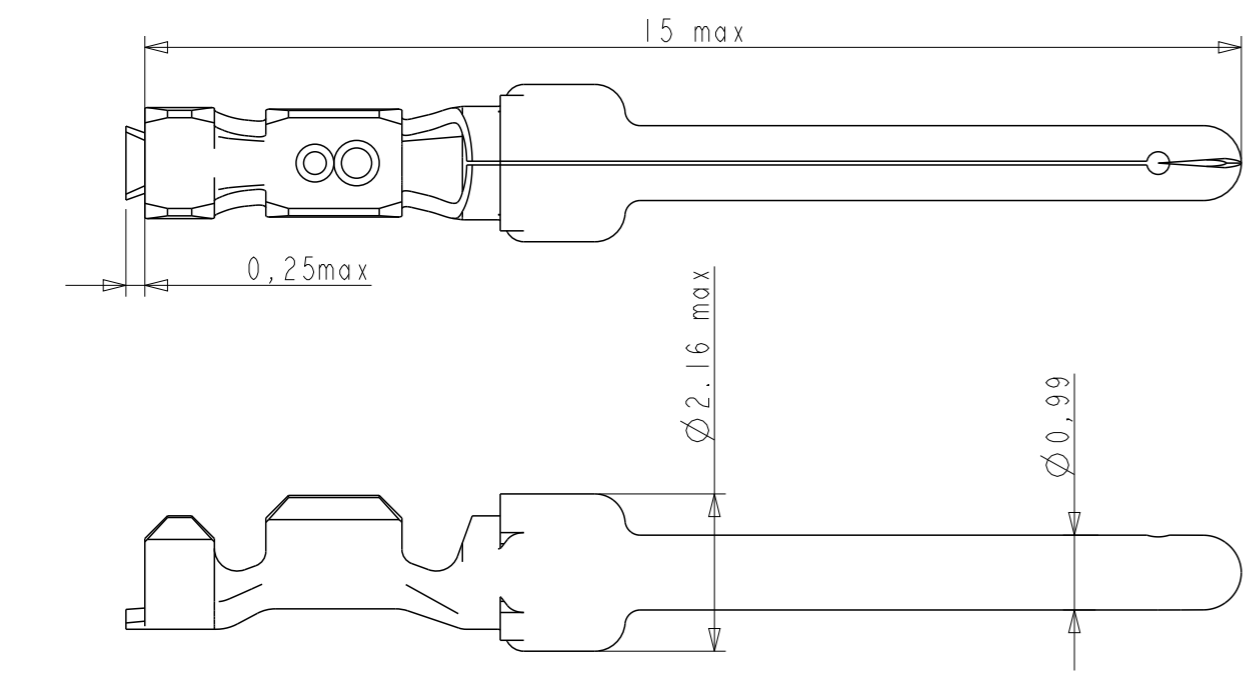


SECTION A-A

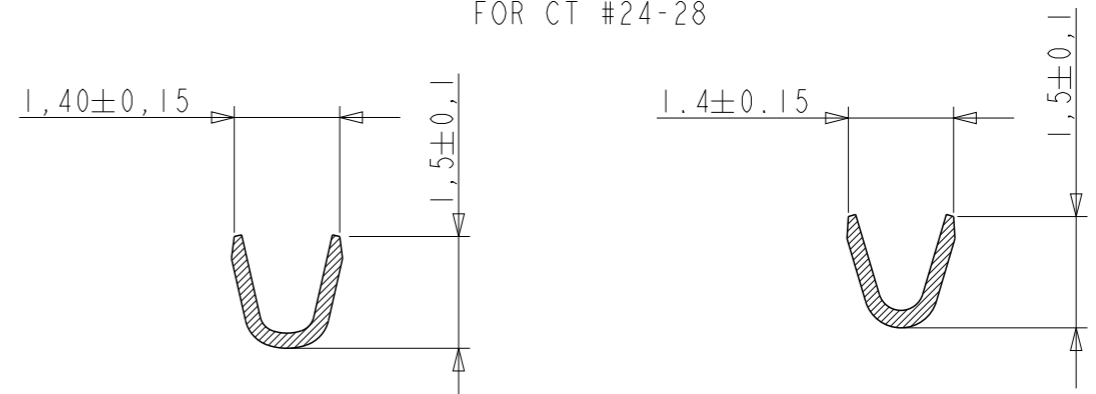
SECTION B-B

NOTES

- 1- Material : Phosphor bronze, thickness 0.20
- 2 -Finish on contact area : termination 064:gold flash
termination 065:076μ Au / GXT
termination 067:04μ Au / GXT
finish on termination : bright tin over nickel
- 3 -Wire range :20 to 28 AWG(see ref sheet 1/2)
- 4 -Max outer dia of wire insulator:
-1.73 mm for contact #20-24
-1.02 mm for contact #24-28
- 5 -Current carrying capacity per contact:
5 Amps max when crimped to #20 AWG
5 Amps max when crimped to #22 AWG
3 Amps max when crimped to #24 AWG
2 Amps max when crimped to #26 AWG
1 Amps max when crimped to #28 AWG
- 6 -After 5 insertions into connector,
contact retention must be 5 pounds axial load min
- 7 -When contact is crimped to 20 AWG, the insulation
support crimped height must be 1.78 mm max to ensure
a proper insertion into housing.
- 8-Reel should be continuous without any contacts
missing in between
- 9 -Packaging : Reel



CROSS SECTIONS
FOR CT #24-28

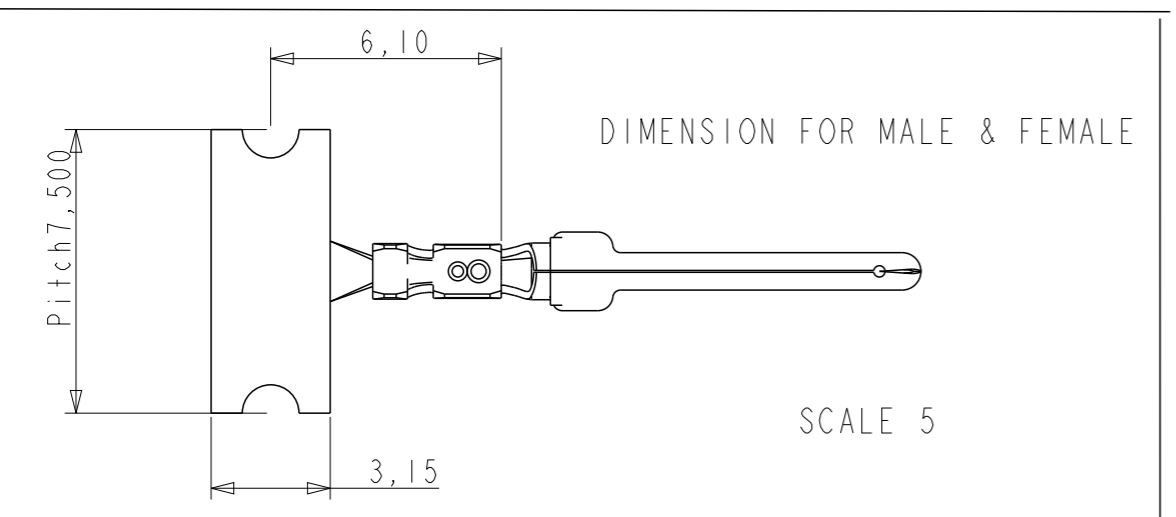


SECTION A-A

SECTION B-B



Copyright FCI.



www.fciconnect.com		surface - ✓ ISO 1302	tolerance std ISO 406 ISO 1101	projection mm
TOLERANCES UNLESS OTHERWISE SPECIFIED				
Dr	C JARRY	13/05/02	ANGULAR	size A3
Eng	-	-	LINEAR	Scale 10/1
Chr	-	-	0° ±2°	ECN 111-0003
Appr	-	-	Product family	8656 Spec ref -
FCI		title CRIMP CONTACTS		Rev. J
catalog no		-		dwg no C01-8656-1525
		customer		sheet 2 of 2

REV F - 2006-04-17

1

2

3

PDM: Rev:J

STATUS:Released

Printed: Mar 05, 2011