



Chipsmall Limited consists of a professional team with an average of over 10 year of expertise in the distribution of electronic components. Based in Hongkong, we have already established firm and mutual-benefit business relationships with customers from,Europe,America and south Asia,supplying obsolete and hard-to-find components to meet their specific needs.

With the principle of “Quality Parts,Customers Priority,Honest Operation,and Considerate Service”,our business mainly focus on the distribution of electronic components. Line cards we deal with include Microchip,ALPS,ROHM,Xilinx,Pulse,ON,Everlight and Freescale. Main products comprise IC,Modules,Potentiometer,IC Socket,Relay,Connector.Our parts cover such applications as commercial,industrial, and automotives areas.

We are looking forward to setting up business relationship with you and hope to provide you with the best service and solution. Let us make a better world for our industry!



Contact us

Tel: +86-755-8981 8866 Fax: +86-755-8427 6832

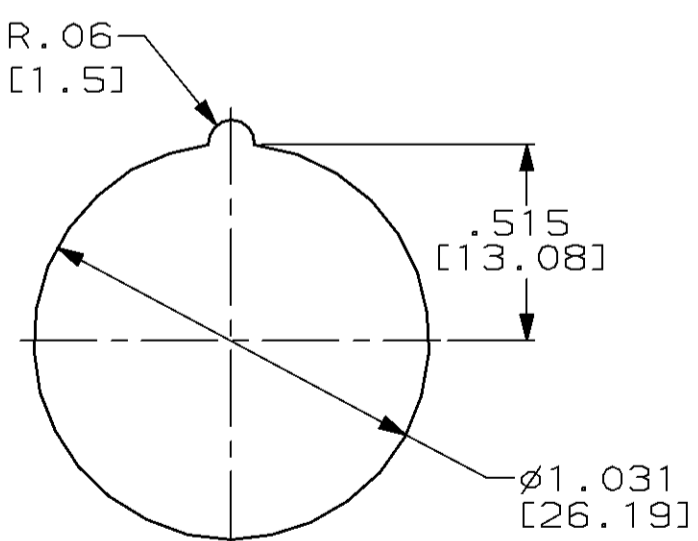
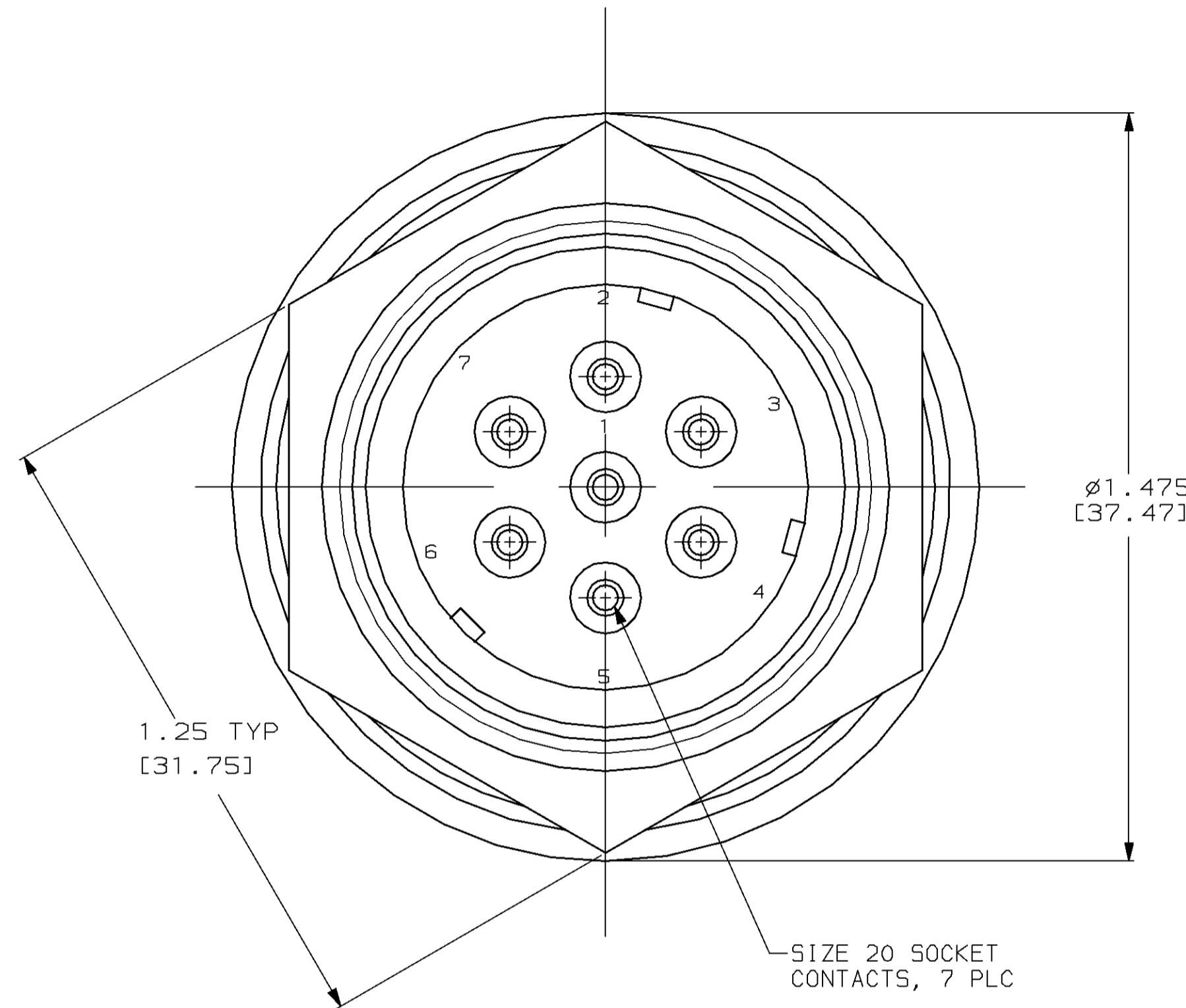
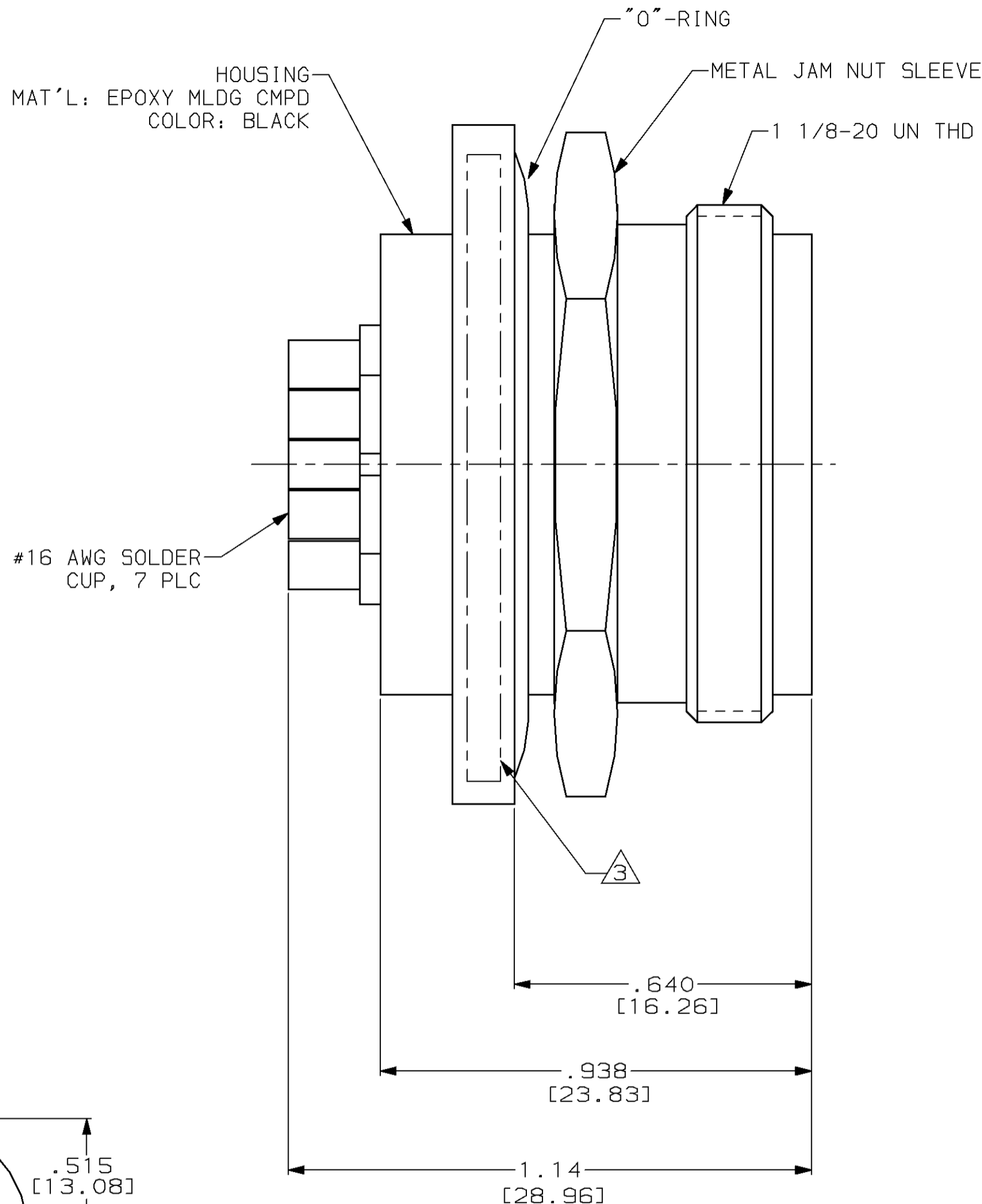
Email & Skype: info@chipsmall.com Web: www.chipsmall.com

Address: A1208, Overseas Decoration Building, #122 Zhenhua RD., Futian, Shenzhen, China



THIS DRAWING IS UNPUBLISHED. RELEASED FOR PUBLICATION
 © COPYRIGHT 19 BY AMP INCORPORATED. ALL RIGHTS RESERVED.

LOC		DIST		REVISIONS			
P	LTR	DESCRIPTION		DATE	DWN	APVD	
DF	SO	A	REV & REDRAWN; 0600-5547-96	7-96	CT	SG	



RECOMMENDED PANEL CUTOUT
 1 SCALE 2:1

- 1 MAX PANEL THICKNESS: .125 [3.18].
- 2 THIS RECEPTACLE IS HERMETICALLY SEALED.
- 3 MARKED PER MIL-STD-130.

866182-1
 PART NO.

THIS DRAWING IS A CONTROLLED DOCUMENT.		DWN C.C. THOMAS 7-29-96	AMP Incorporated Harrisburg, PA 17105-3608	
DIMENSIONS: INCHES [mm]		CHK S. GLATFELTER 8-13-96	AMP	
TOLERANCES UNLESS OTHERWISE SPECIFIED:		APVD S. GLATFELTER 8-13-96	NAME	
0 PLC ±-		PRODUCT SPEC		
1 PLC ±-		APPLICATION SPEC		
2 PLC ±.01 [0.3]		SIZE		
3 PLC ±.010 [0.25]		CAGE CODE		
4 PLC ±-		DRAWING NO		
ANGLES ±-		A2 00779 C-866182		
FINISH		WEIGHT		
SEE CALLOUTS		CUSTOMER DRAWING		
		SCALE 4:1 SHEET 1 OF 1 REV A		

866182