



Chipsmall Limited consists of a professional team with an average of over 10 year of expertise in the distribution of electronic components. Based in Hongkong, we have already established firm and mutual-benefit business relationships with customers from,Europe,America and south Asia,supplying obsolete and hard-to-find components to meet their specific needs.

With the principle of “Quality Parts,Customers Priority,Honest Operation,and Considerate Service”,our business mainly focus on the distribution of electronic components. Line cards we deal with include Microchip,ALPS,ROHM,Xilinx,Pulse,ON,Everlight and Freescale. Main products comprise IC,Modules,Potentiometer,IC Socket,Relay,Connector.Our parts cover such applications as commercial,industrial, and automotives areas.

We are looking forward to setting up business relationship with you and hope to provide you with the best service and solution. Let us make a better world for our industry!



Contact us

Tel: +86-755-8981 8866 Fax: +86-755-8427 6832

Email & Skype: info@chipsmall.com Web: www.chipsmall.com

Address: A1208, Overseas Decoration Building, #122 Zhenhua RD., Futian, Shenzhen, China



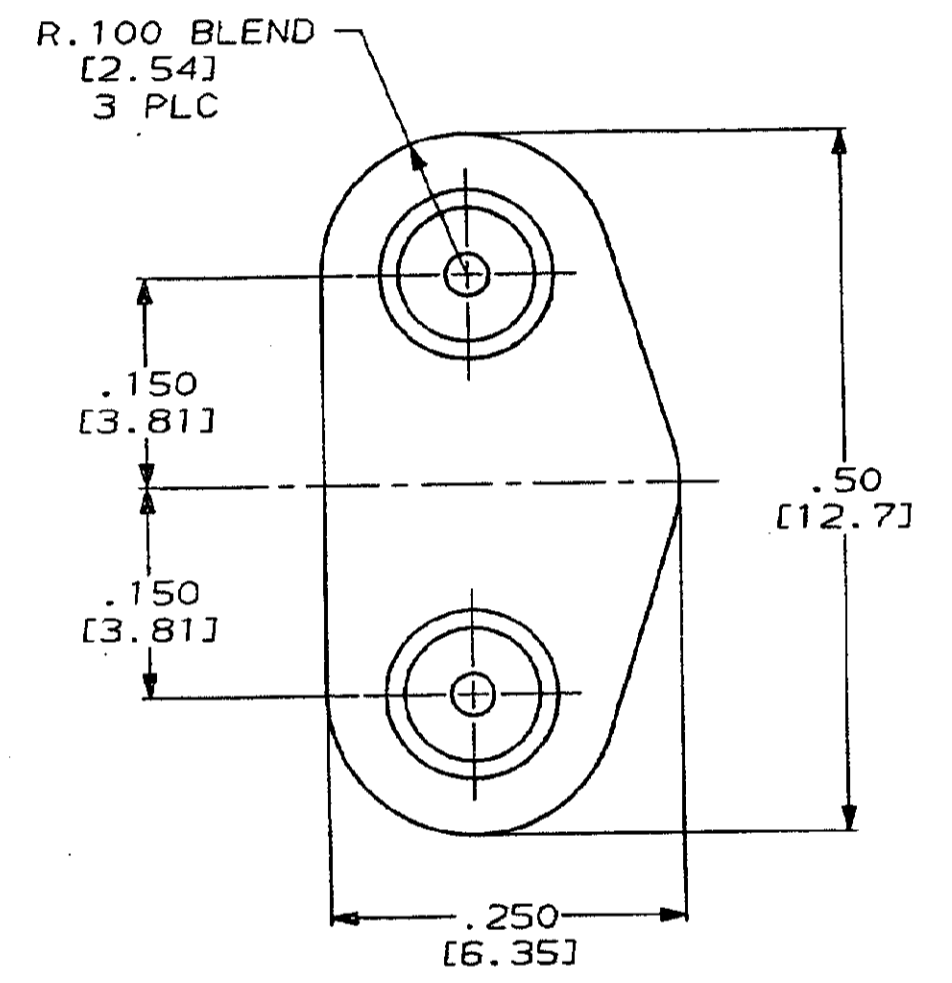
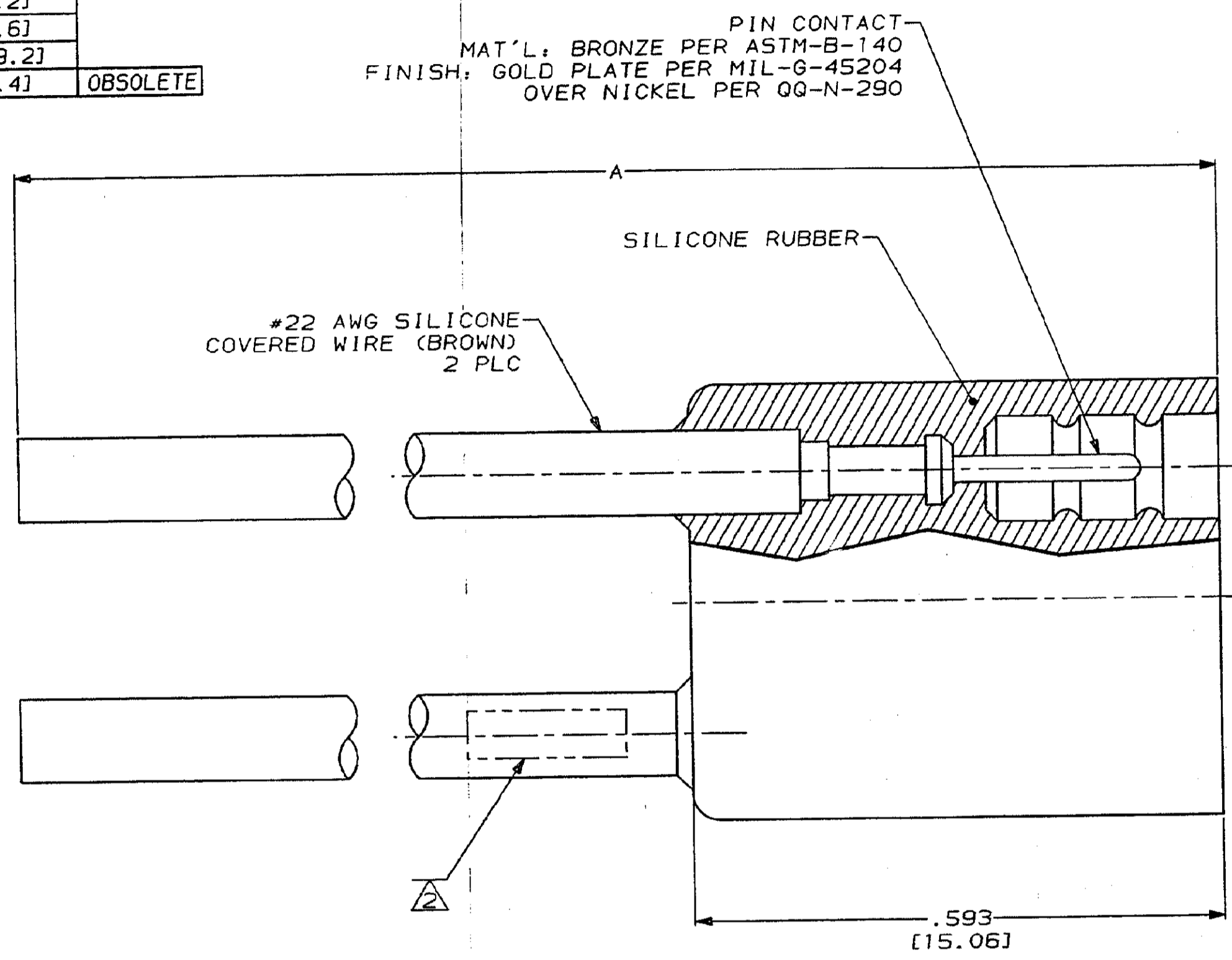
DRAWING MADE IN THIRD ANGLE PROJECTION

THIS DRAWING IS UNPUBLISHED. RELEASED FOR PUBLICATION
 © COPYRIGHT 19 BY AMP INCORPORATED. ALL INTERNATIONAL RIGHTS RESERVED.

PROJ	LOC	DIST	ZONE	LTR	DESCRIPTION	DATE	APPD
4081	DF	50			REACTIVATE -3 & REDRAW PER DF-5188 CT	8-91	SG

PART NO.	A DIM	
866196-1	12.00 [304.8]	
866196-2	18.00 [457.2]	
866196-3	24.00 [609.6]	
866196-4	48.00 [1219.2]	
866196-5	16.00 [406.4]	OBSOLETE

PIN CONTACT
 MAT'L: BRONZE PER ASTM-B-140
 FINISH: GOLD PLATE PER MIL-G-45204
 OVER NICKEL PER QQ-N-290



① TOLERANCE: UP TO 24.00 [609.6] = ±.12 [±3.0]
 24.00 [609.6] & UP = 1%
 ② MARKED PER MIL-STD-130 IN APPROX. AREA SHOWN.

DO NOT SCALE PRINT. UNLESS SPECIFIED DIMENSIONS IN INCHES [mm] TOLERANCES ON: 2 PLC DEC ±.02 [0.51] 3 PLC DEC ±.005 [0.13] ANGLES ± -	DR 8-9-91 C.C.THOMAS	AMP Incorporated Harrisburg, PA 17105-3608		
	CHK 8-20-91 S.GLATFELTER			
	APPD 8-20-91 S.GLATFELTER	NAME		
	APPD 8-20-91 C.THOMAS	RCPT, LGH, 2 POSN, MICRO-MIN		
MATERIAL SEE CALLOUTS	PRODUCT SPEC -	SIZE C	CAGE CODE 00779	DRAWING NO 866196
FINISH SEE CALLOUTS	APPLICATION SPEC -	SCALE 8:1	SHEET 1 OF 1	
WEIGHT -				

CUSTOMER DRAWING